

DISA



Milan, February 21st, 2021

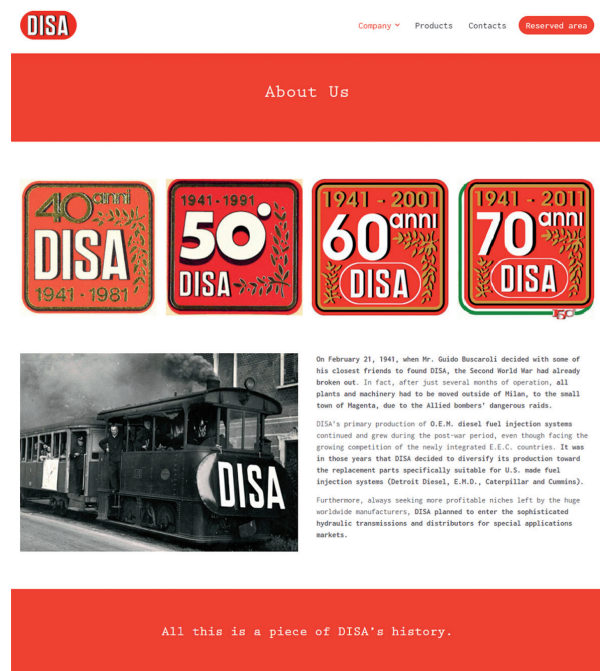
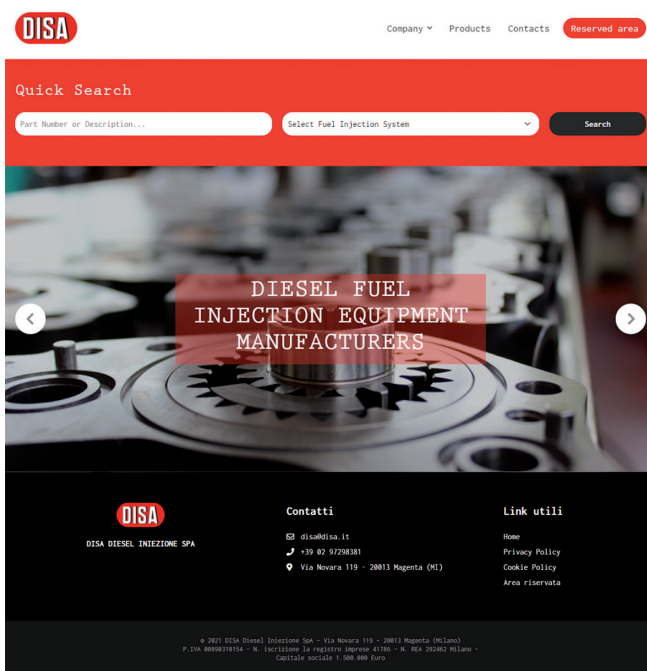
DISA celebrates 80 years of great dedication to the Diesel Industry as Original Equipment and Replacement Parts Manufacturer.

We want to thank all our customers and end-users for the continuous support in achieving this important milestone.



Milan, February 21st, 2021

We are pleased to inform that we are online with a new website, www.disa.it, where you can discover more about our company and keep updated on our latest products.



To view or download this catalogue in PDF format go to:

www.disa.it/wp-content/uploads/2021/08/DISA_CATALOGUE_01_2021.pdf



PARTS AND COMPONENTS SUITABLE FOR GENERAL MOTORS, CATERPILLAR AND CUMMINS FUEL INJECTION SYSTEMS

TABLE OF CONTENTS

PAGE

DETROIT DIESEL FUEL INJECTOR - SERIES 53, 71, 92	1
SUMMARY OF DETROIT DIESEL INJECTORS - SERIES 53, 71, 92	2
SUMMARY OF DETROIT DIESEL INJECTORS - SERIES 53, 71, 92	3
DETROIT DIESEL FUEL INJECTOR - SERIES 8.2 LITER AND 149	4
DETROIT DIESEL FUEL INJECTOR - SERIES 53/71 S	5
DETROIT DIESEL FUEL INJECTOR - SERIES 71 LV AND CONVERSION KITS	6
DETROIT DIESEL FUEL INJECTOR - SERIES 53/71 HV	7
DETROIT DIESEL FUEL INJECTOR - SERIES 110	8
CLEVELAND DIESEL ENGINES SERIES 248 - 268A - 278A	8
ELECTROMOTIVE DIESEL ENGINES SERIES 567 - 645 - 710	9
DETROIT DIESEL FUEL SUPPLY PUMPS & OVERHAUL KIT	10
DETROIT DIESEL FUEL INJECTOR - 60 SERIES	11
CATERPILLAR PLUNGERS & BARRELS	12
CATERPILLAR PLUNGERS & BARRELS	13
CATERPILLAR CAPSULE NOZZLES	14
CATERPILLAR SERIES 7000 INJECTORS	15
CATERPILLAR / JOHN DEERE PENCIL NOZZLES	16
CATERPILLAR INJECTION PUMPS AND FUEL INJECTION PUMP GROUPS.....	17
CATERPILLAR MISCELLANEOUS	18
CATERPILLAR FUEL PUMPS	19
CATERPILLAR GLOW PLUGS – GASKET KITS - FUEL SYSTEM	20
CATERPILLAR MUI INJECTORS – 3500	21
CATERPILLAR MUI INJECTORS – 3114 - 3116 - 3126	21
CATERPILLAR EUI INJECTORS – C10 - C12	22
CATERPILLAR EUI INJECTORS – C13.....	22
CATERPILLAR EUI INJECTORS – 3406E/C15 - C16 - C18 - C27 - C32	23
CATERPILLAR EUI INJECTORS 3500B	24
HEUI INJECTORS – CATERPILLAR - 3126B - 3126E - HI300	25
HEUI INJECTORS – CATERPILLAR - C7 - C9	26
HEUI INJECTORS – NAVISTAR DT466E / I 530E - PERKINS 1300	27
HEUI INJECTORS – FORD POWERSTROKE 7.3L / NAVISTAR T444E	28
G2.8 INJECTORS – FORD POWERSTROKE 6.0L / NAVISTAR VT365	29
DENSO - JOHN DEERE 4.5L - 6.8L - 8.1L - 9.0L	30
DENSO - ISUZU 4HK1 - 6HK1	30
CUMMINS INJECTORS – CELECT SERIES	31

ALL **DISA** PARTS AND COMPONENTS ARE BRAND NEW MANUFACTURED IN OUR MAGENTA WORKS, UNDER USA TECHNICAL REQUIREMENTS, AND ARE STRICTLY EQUIVALENT TO O.E.M.

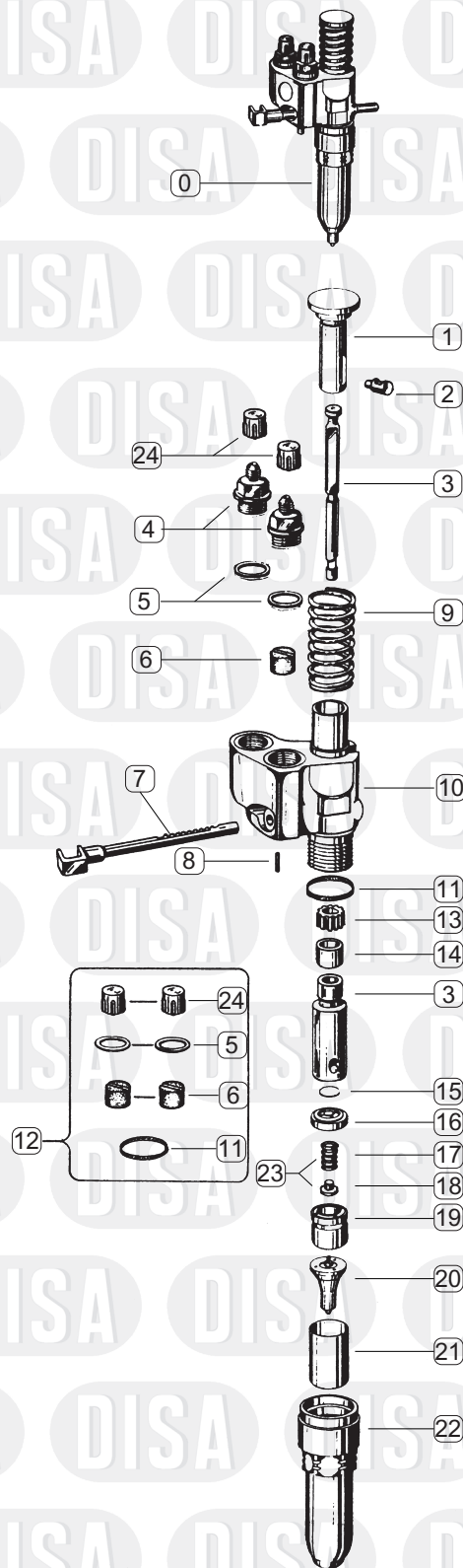
ALL MANUFACTURERS NAMES, SYMBOLS, NUMBERS AND DESCRIPTIONS ARE USED FOR GUIDANCE AND REFERENCE PURPOSES ONLY AND IT DOES NOT IMPLY THAT ANY PART LISTED IN THIS CATALOGUE IS THE PRODUCT OF THESE MANUFACTURERS.

ALL THE EQUIPMENT APPLICATION GUIDES ARE ENCLOSED FOR GUIDANCE AND REFERENCE PURPOSES ONLY, AND DO NOT IMPLY ANY RESPONSIBILITY ON OUR PART.

DETROIT DIESEL FUEL INJECTOR

SERIES 53, 71, 92

ITEM NO.	PART NO.	DESCRIPTION
0	◆	Injector assembly
1	5228104	Follower, injector
2	5228608	Pin, injector stop
3	◆	Plunger & bushing
4	5228588	Cap, filter
	5227007	Internal thread cap filter
5	5226186	Gasket, filter cap
6	5228587	Element, filter
7	5226719	Rack assembly
8	5226416	Dowel, injector body (included into 5228583)
9	5228739	Spring, follower superseded by 5229518
	5229518	Orange stripe follower spring
10	5228583	Body assembly
11	5229167	Ring, injector seal superseded by 5234281
	5234281	Ring, injector seal
12	5229649	Filter service kit
13	5226400	Gear, injector (for P. & B. Ø.25)
	5228802	Gear, injector (for P. & B. Ø.281-.30)
14	5228586	Retainer gear
15	5228694	Valve, injector check
16	5228696	Cage, injector valve
17	5228596	Spring, injector valve
	5226359	High V.O.P. spring, injector valve
18	5228766	Seat, valve spring
	5226246	Seat, high V.O.P. valve spring
19	5228594	Cage, injector valve spring
20	◆	Tip assembly
21	5228109	Deflector, injector spill
22	5228601	Nut, injector
23	5228769	Valve kit, injector
24	5226414	Cap, shipping



◆ SEE SUMMARY OF INJECTORS - SERIES 53, 71, 92

SUMMARY OF DETROIT DIESEL INJECTORS

SERIES 53, 71, 92

Injector	Assy. No.	P & B Part No.	Tip Part No.	Series	Injector	Assy. No.	P & B Part No.	Tip Part No.	Series
130	5226390	5226395	5229516	92	7A65	5229665	5229664	5229636	71
140	5229495	5229513	5229516	71	7A70	5229670	5229672	5229636	71
145	5226555	5226248	5229516	92	7A75	5229675	5229638	5229636	71
6815	5226815	5226422	5229026	53	7A77	5226595	5229808	5229642	71
6825	5226825	5229268	5226587	71	7B5E	5229580	5229562	5229553	71
6850	5226850	5229657	5226587	71	7C70	5229700	5228682	5229636	71
7005	5227005	5226474	5229184	53	7C75	5229695	5228658	5229636	71
7015	5227015	5228804	5229256	71	7E50	5229785	5229791	5229026	71
7020	5227020	5228658	5229192	71	7E55	5229790	5229823	5229026	71
7025	5227025	5229657	5229516	92	7E60	5229795	5229814	5229026	71
7030	5227030	5226589	5226272	92	7E65	5229800	5229782	5229030	71
7035	5227035	5228804	5229516	92	7E75	5229820	5229808	5229642	71
7040	5227040	5226395	5229516	92	7G60	5226665	5229823	5229532	71
7105	5227105	5226248	5227104	92	7G65	5229895	5229916	5229636	71
7125	5227125	5226788	5229516	92	7G70	5229900	5229912	5229636	71
7245	5227245	5226589	5227168	71	7G75	5229905	5229884	5229636	71
7255	5227255	5228804	5229516	71	7N65	5226440	5226298	5229192	71
9200	5229410	5229298	5229184	92	7N95	5229995	5229298	5229256	71
9210	5229985	5229298	5229516	92	7S65	5226170	5226183	5229636	71
9215	5229715	5229657	5229184	92	7S70	5226155	5226182	5229636	71
9225	5229845	5229657	5229516	92	7S75	5226145	5226169	5229636	71
9270	5229170	5229188	5229184	92	9A31	5226575	5226395	5229516	92
9275	5229380	5229282	5229184	92	9A80	5229620	5229181	5229622	92
9280	5229180	5229181	5229184	92	9A85	5229625	5229278	5229622	92
9285	5229400	5229278	5229184	92	9A90	5229630	5229292	5229622	92
9290	5229405	5229292	5229184	92	9A98	5226675	5229298	5229622	92
9295	5229395	5229268	5229184	92	9B70	5229855	5229188	5229806	92
5A50	5229920	5229921	5229030	53	9B75	5229860	5229282	5229806	92
5A55	5229676	5229776	5229030	53	9B80	5229805	5229181	5229806	92
5A60	5229666	5228656	5229030	53	9B85	5229815	5229278	5229806	92
5A68	5226790	5226654	5226404	53	9B90	5229810	5229292	5229806	92
5A72	5226780	5228682	5229192	53	9C70	5229870	5229857	5229806	92
5C50	5226250	5226428	5226404	53	9C75	5229875	5229861	5229806	92
5C55	5226240	5226422	5226404	53	9C80	5229880	5229864	5229806	92
5C60	5226230	5226392	5226404	53	9C85	5229885	5229868	5229806	92
5D45	5226685	5226562	5229026	53	9C90	5229890	5229872	5229806	92
5D50	5226690	5226566	5229026	53	9D95	5229955	5229952	5229622	92
5E50	5226280	5226428	5229030	53	9E60	5226800	5228656	5226442	92
5E55	5226245	5226422	5229030	53	9E65	5229970	5229912	5229642	92
5E60	5226235	5226392	5229030	53	9E70	5229975	5229884	5229642	92
5F55	5226590	5226422	5226404	53	9E80	5226225	5229268	5229642	92
5N45	5226075	5228684	5229026	53	9E85	5226215	5229298	5229030	92
5N65	5229825	5228668	5229192	53	9E95	5226525	5226338	5229622	92
71B5	5229550	5229342	5229532	71	9F70	5226475	5226468	5226442	92
71C5	5229352	5229354	5229026	71	9F80	5226495	5226434	5229636	92
71N5	5228850	5228749	5229026	71	9F85	5226085	5229868	5229622	92
7A15	5226585	5226589	5226587	71	9F90	5226090	5229872	5229622	92
7A50	5229690	5229692	5229642	71	9G75	5226425	5226434	5226442	92
7A55	5229685	5229686	5229642	71	9G85	5226420	5226474	5226438	92
7A60	5229680	5229644	5229642	71	9G90	5226410	5226338	5226438	92

SUMMARY OF DETROIT DIESEL INJECTORS

SERIES 53, 71, 92

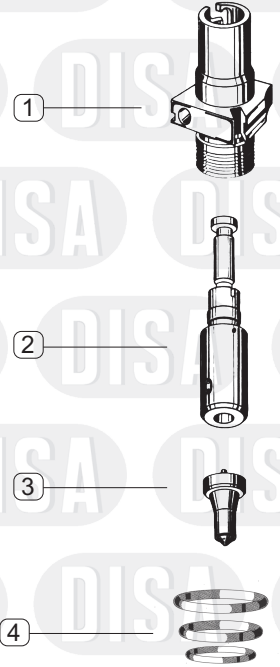
Injector	Assy. No.	P & B Part No.	Tip Part No.	Series
9G95	5226345	5226312	5226332	92
9H85	5226405	5226474	5226304	92
9J85	5226635	5226474	5226304	92
9K85	5226670	5229298	5229030	92
9S65	5226165	5226182	5229642	92
9S70	5226135	5226169	5229642	92
9S75	5226505	5226346	5226442	92
9S80	5226515	5226346	5229636	92
9T70	5226510	5226402	5226442	92
B55	5229555	5229346	5229532	71
B55E	5229575	5229559	5229553	71
B60	5229560	5229354	5229532	71
B65	5229565	5229542	5229030	71
C40	5229340	5229342	5229034	53
C45	5229345	5229346	5229034	53
C50	5229350	5229354	5229034	53
C55	5229355	5229356	5229026	71
C60	5229360	5229362	5229026	71
C65	5229365	5229366	5229192	71
C70	5229370	5229372	5229192	71
DF65	5226715	5229593	5229026	71
DN7	5229605	5229593	5229636	71
DN115	5226010	5226018	5229184	92
HN65	5228771	5228682	5228653	71
L40	5228793	5228679	5229026	53
M15	5226795	5228804	5229516	92
M40	5229610	5229608	5229034	53
M50	5228774	5228749	5229034	71
M55	5228834	5228841	5229034	53
M60	5228824	5228749	5229192	53
M65	5228814	5228661	5229034	71
M70	5229185	5229632	5229192	71
M95	5228795	5228804	5229256	71
N35	5229595	5229598	5229034	53
N40	5228763	5228691	5229034	53
N45	5228773	5228684	5229034	53
N50	5228783	5228749	5229034	53
N55	5228785	5228668	5229026	71
N60	5228760	5228656	5229026	71
N65	5228900	5228928	5229030	71
N70	5228770	5228682	5229192	71
N75	5228777	5228658	5229192	71
N80	5228780	5228661	5229256	71
N90	5228790	5228878	5229256	71
N140	5229495	5229513	5229516	71

NEW		OLD	
Injector	Assy. No.	Injector	Assy. No.
9A31	5226575	130	5226390
N40	5228763	L40	5228793
N50	5228783	M50	5228774
7N65	5226440	N65	5228900
N70	5228770	HN65	5228771

DETROIT DIESEL FUEL INJECTOR

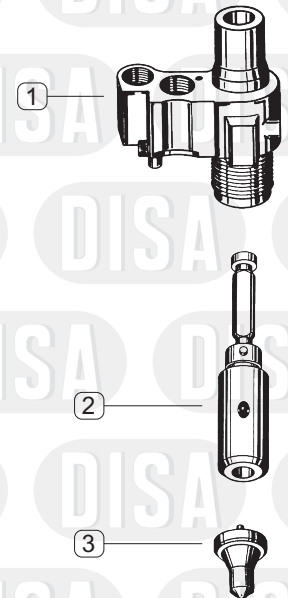
SERIES 8.2 LITER

ITEM NO.	PART NO.	DESCRIPTION
1	5229738	Body assembly
2	5229961	Plunger & bushing 4A40
	5229953	Plunger & bushing 4A70, 4C65, 4E67, 4H60
	5226881	Plunger & bushing 4C45
	5226886	Plunger & bushing 4C59
	5229988	Plunger & bushing 4B45
	5229840	Plunger & bushing 4A53, 4B55
	5226358	Plunger & bushing 4T80, 4B75
	5226478	Plunger & bushing 4J60
3	5226494	Plunger & bushing 4K60
	5229964	Tip assembly 4A40
	5229727	Tip assembly 4A53, 4C59
	5229846	Tip assembly 4C65
	5226084	Tip assembly 4A70, 4T80
	5226168	Tip assembly 4B45, 4B55, 4C45, 4J60, 4K60
	5226364	Tip assembly 4B75, 4H60
4	5226174	Tip assembly 4E67
	5229930	Gasket kit



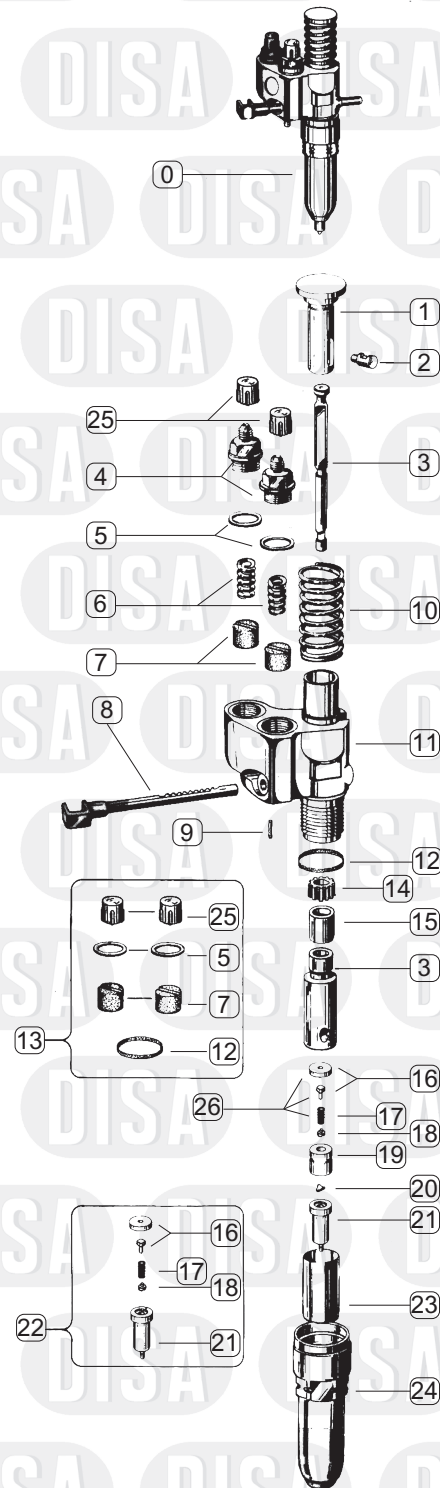
SERIES 149

ITEM NO.	PART NO.	DESCRIPTION
1	5228980	Body assembly
	5228984	Body assembly <i>superseded by 5228980</i>
2	5228870	Plunger & bushing 120, 130, 140, 145, 150, 155, 160, 165, 170, 180, 185, 190, 7110
	5229828	Plunger & bushing 195, 230, 240, 270, 6810, 7220, 7225
	5229968	Plunger & bushing DF13
3	5226162	Tip assembly <i>superseded by 5227152</i>
	5229831	Tip assembly <i>superseded by 5227147</i>
	5229582	Tip assembly <i>superseded by 5227142</i>
	5227152	Tip assembly <i>superseded by 5235815</i>
	5227147	Tip assembly 195, 270, 6810, 7220
	5227142	Tip assembly <i>superseded by 5235791</i>
	5235791	Tip assembly 120, 130, 140, 150, 155, 165, 170, 180, 185, 190, 230, 240, 7110, 7225, DF13
	5235815	Tip assembly 145, 160



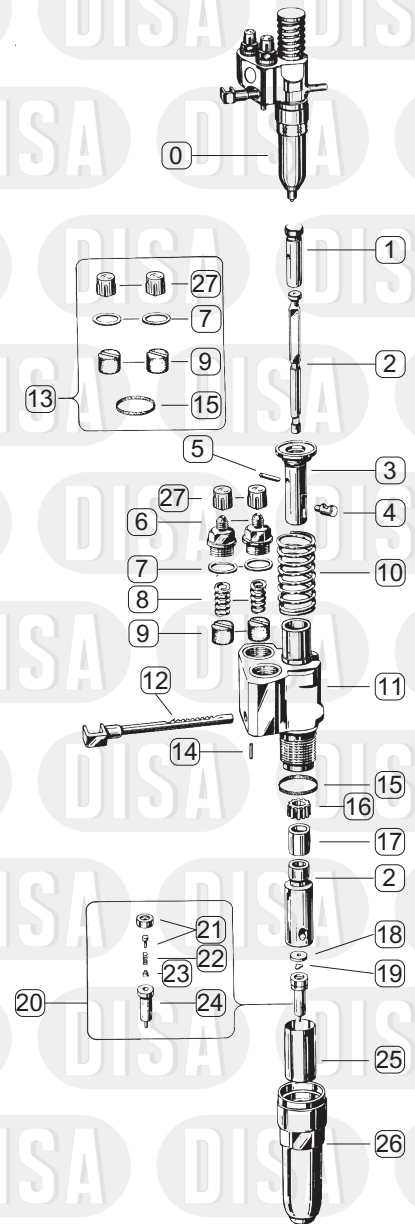
DETROIT DIESEL FUEL INJECTOR SERIES 53/71, S

ITEM NO.	PART NO.	DESCRIPTION
0	5228535	Injector assembly 35 offset l.c.
	5228560	Injector assembly 40 offset l.c.
	5228510	Injector assembly 45 offset l.c.
	5228590	Injector assembly S40 offset l.c.
	5228580	Injector assembly S45 offset l.c.
	5228550	Injector assembly S50 offset l.c.
	5228478	Injector assembly 55E offset h.c.
	5228521	Injector assembly S55 offset l.c.
	5228480	Injector assembly 60E offset h.c.
	5228505	Injector assembly HE6 offset h.c.
	5228715	Injector assembly 6S8 offset l.c.
	5228566	Injector assembly S65 offset l.c.
	5228470	Injector assembly HV7 offset h.c.
	5228435	Injector assembly HV8 offset h.c.
	5228522	Injector assembly S60 offset l.c.
	5228523	Injector assembly S70 offset l.c.
	5228524	Injector assembly S80 offset l.c.
	5228525	Injector assembly S90 offset l.c.
1	5228104	Follower, injector
2	5228608	Pin, injector stop
3	5228530	Plunger & bushing 35
	5228552	Plunger & bushing 40, S40
	5228495	Plunger & bushing 45, S45
	5228126	Plunger & bushing S50
	5228477	Plunger & bushing 55E
	5228528	Plunger & bushing S55
	5228474	Plunger & bushing 60E
	5228306	Plunger & bushing HE6, 6S8, S60
	5228569	Plunger & bushing S65
	5228304	Plunger & bushing HV7, S70
	5228101	Plunger & bushing HV8, S80
	5228549	Plunger & bushing S90
4	5228588	Cap, injector filter
5	5226186	Gasket, filter cap
6	5226415	Spring (<i>not required. Use 5228587 w/5228588</i>)
7	5228587	Element, filter
8	5226719	Rack assembly
9	5226416	Dowel, injector body (included into 5228509)
10	5228739	Spring, injector plunger
11	5228509	Body assembly (offset l.c.)
12	5229167	Ring, injector seal <i>superseded by 5234281</i>
	5234281	Ring, injector seal
13	5229649	Filter service kit
14	5226400	Gear, injector
15	5226567	Retainer, gear
16	5228316	Valve (5228308) & seat (5228106) assembly
17	5227210	Spring, injector valve
18	5227318	Stop, injector valve
19	5228294	Cage, injector valve
20	5226411	Valve, injector check
21	5228436	Tip 35, 40, 45, 6S8
	5228473	Tip S40, S45, S50, 55E, S55, 60E, HE6, S60, S65
	5228554	Tip S70, S80, S90, HV7, HV8
22	5228443	Tip kit 35, 40, 45, 6S8
	5228491	Tip kit S40, S45, S50, 55E, S55, 60E, HE6, S60, S65
	5228312	Tip kit S70, S80, S90, HV7, HV8
23	5228109	Deflector, injector spill
24	5228102	Nut, injector
25	5226414	Cap, shipping
26	5228313	Valve, kit



DETROIT DIESEL FUEL INJECTOR SERIES 71, LV

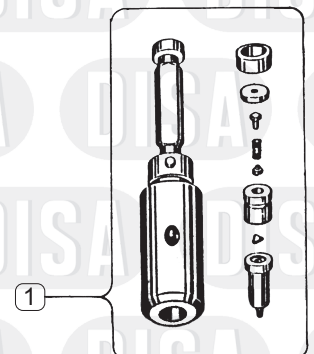
ITEM NO.	PART NO.	DESCRIPTION
0	5226710	Injector assembly 60LV
	5227935	Injector assembly 70LV
	5227231	Injector assembly 80LV
	5227141	Injector assembly 90LV
1	5226394	Follower, injector <i>(use 5228104)</i>
2	5226560	Plunger & bushing 60LV
	5227933	Plunger & bushing 70LV
	5227229	Plunger & bushing 80LV
	5227135	Plunger & bushing 90LV
3	5226723	Guide, follower <i>(use 5228104)</i>
4	5228608	Pin, injector stop
5	5226397	Pin, follower
6	5226413	Cap, injector filter
7	5226186	Gasket, filter cap
8	5226415	Spring, filter element
9	5228587	Element, filter
10	5228292	Spring, injector plunger
11	5227931	Body assembly
12	5226719	Rack assembly
13	5229649	Filter service kit
14	5226416	Dowel, injector body (included into 5227931)
15	5229167	Ring, injector seal <i>superseded by 5234281</i>
	5234281	Ring, injector seal
16	5226400	Gear, injector
17	5226567	Retainer, gear
18	5226570	Spacer, injector check valve
19	5226411	Valve, injector check
20	5227324	Tip kit, 60LV
	5227325	Tip kit, 70LV, 80LV, 90LV
21	5227323	
22	5227210	Spring, injector valve
23	5227318	Stop, injector valve
24	5227321	Tip, 60LV
	5227317	Tip, 70LV,80LV, 90LV
25	5226565	Deflector, injector spill
26	5226563	Nut, injector valve
27	5226414	Cap, shipping



CONVERSION KITS

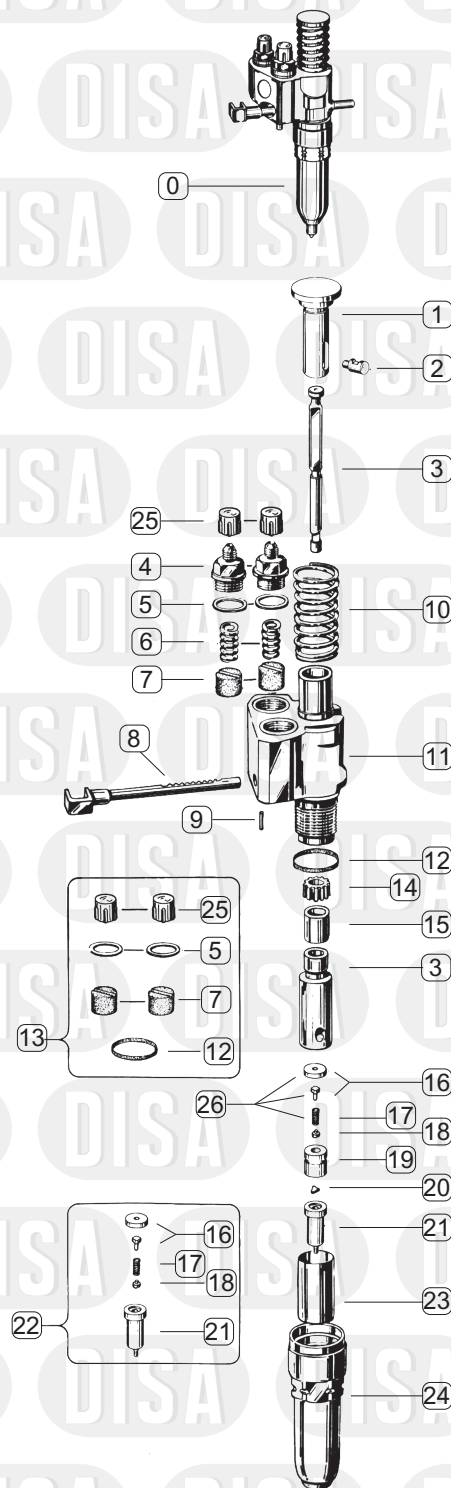
TO CONVERT OLD MODEL LV INJECTORS
INTO LATER STYLE HV INJECTORS

ITEM NO.	PART NO.	DESCRIPTION
1	5228322	To convert LV70 into HV55
	5228332	To convert LV60 into HV6
	5228333	To convert LV70 into HV7
	5228334	To convert LV80 into HV8



DETROIT DIESEL FUEL INJECTOR SERIES 53/71, HV

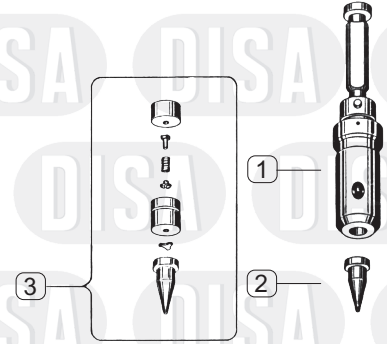
ITEM NO.	PART NO.	DESCRIPTION	
0	5228505	Injector assembly HE6	
	5228300	Injector assembly HV55	
	5228490	Injector assembly 55E	
	5228310	Injector assembly HV6	
	5228375	Injector assembly 6E8	
	5228305	Injector assembly HV7	
	5228110	Injector assembly HV8	
	5228380	Injector assembly HV9	
	1	5228104	Follower injector
2	5228608	Pin, injector stop	
3	5228126	Plunger & bushing HV55	
	5228477	Plunger & bushing 55E	
	5228306	Plunger & bushing HV6, 6E8, HE6	
	5228304	Plunger & bushing HV7	
	5228101	Plunger & bushing HV8	
	5228378	Plunger & bushing HV9	
	4	5228588	Cap, injector filter
	5	5226186	Gasket, filter cap
	6	5226415	Spring (<i>not required. Use 5228587 w/5228588</i>)
7	5228587	Element, filter	
8	5226719	Rack assembly	
9	5226416	Dowel, injector body (included into 5227931)	
10	5228292	Spring, injector plunger	
11	5227931	Body assembly	
12	5229167	Ring, injector seal <i>superseded by 5234281</i>	
	5234281	Ring, injector seal	
13	5229649	Filter service kit	
14	5226400	Gear, injector	
15	5226567	Retainer, gear	
16	5228316	Valve (5228308) & seat (5228106) assembly	
17	5227210	Spring, injector valve	
18	5227318	Stop, injector valve	
19	5228294	Cage, injector valve	
20	5226411	Valve, injector check	
21	5228473	Tip 55E	
	5228293	Tip HV7, HV8, HV9 <i>superseded by 5228554</i>	
	5228296	Tip HV55, HV6, HE6	
	5228376	Tip 6E8	
	5228554	Tip HV7, HV8, HV9	
22	5228491	Tip kit 55E	
	5228301	Tip kit HV55, HV6, HE6	
	5228377	Tip kit 6E8	
	5228312	Tip kit HV7, HV8, HV9	
23	5228109	Deflector, injector spill	
24	5228102	Nut, injector HV	
25	5226414	Cap, shipping	
26	5228313	Valve, kit	



DETROIT DIESEL FUEL INJECTOR

SERIES 110

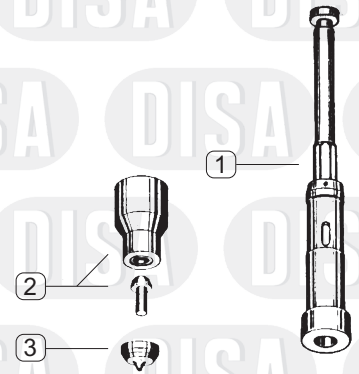
ITEM NO.	PART NO.	DESCRIPTION
1	5228119	Plunger & bushing 80 std.
	5228342	Plunger & bushing 90 std.
	5228336	Plunger & bushing 110 std.
	5228007	Plunger & bushing 130 std.
	5228488	Plunger & bushing 90T offset
	5228444	Plunger & bushing 100T offset
	5228486	Plunger & bushing 110T offset
	5228468	Plunger & bushing 120T offset
	2	5228353
3	5228353K	Tip kit



CLEVELAND DIESEL ENGINES

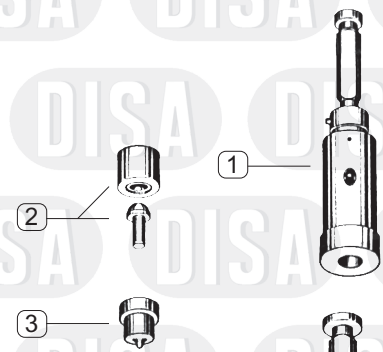
SERIES 248

ITEM NO.	PART NO.	DESCRIPTION
1	5227009	Plunger & bushing
2	5227843	Valve (5227269) & seat (5227843-S) assembly
3	5226236	Spray tip



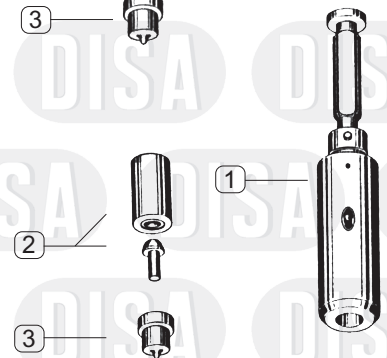
SERIES 268 A

ITEM NO.	PART NO.	DESCRIPTION
1	5226987	Plunger & bushing
2	5227296	Valve (5227269) & seat (5227294) assembly
3	5227234	Spray tip (med. flow)



SERIES 278 A

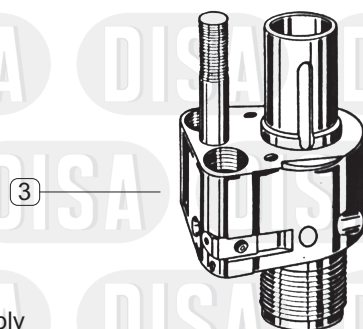
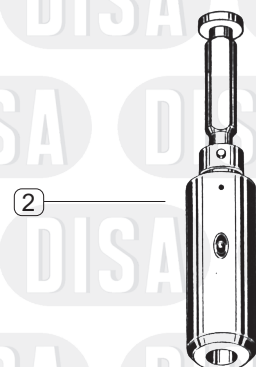
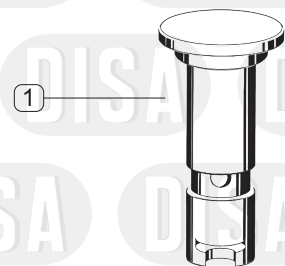
ITEM NO.	PART NO.	DESCRIPTION
1	5227129	Plunger & bushing
2	5227298	Valve (5227269) & seat (5227295) assembly
3	5228703	Spray tip (med. flow)
		Spray tip (low. flow)
		Spray tip (high flow)



ELECTROMOTIVE DIESEL ENGINES

SERIES 567-645-710

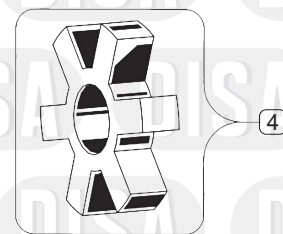
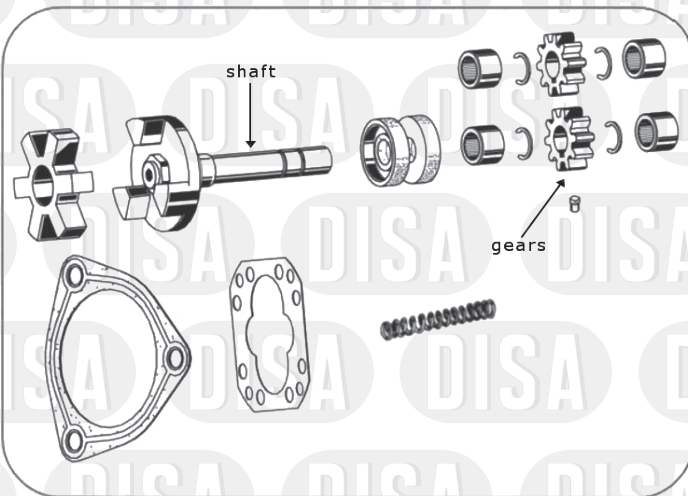
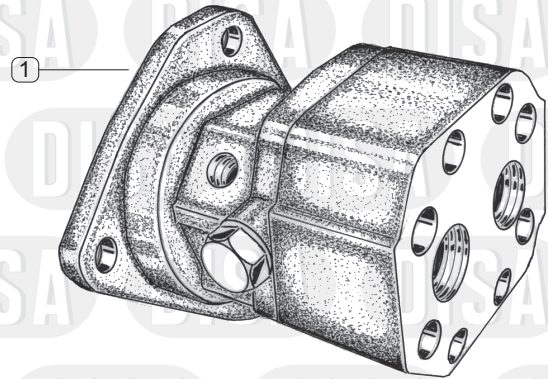
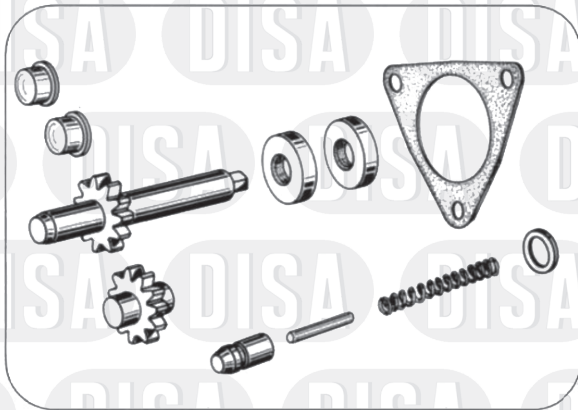
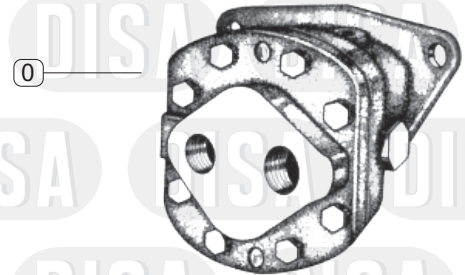
ITEM NO.	PART NO.	(OTHER P/N.)	DESCRIPTION
1	5228139		Follower, injector
2	5227003		Plunger & bushing
	5229011	(9582664)	Plunger & bushing
	5227853	(9582665)	Plunger & bushing
	5228236	(9582666)	Plunger & bushing
	5228894	(9582668)	Plunger & bushing
	5226464	(40006026)	Plunger & bushing
	5228574		Plunger & bushing
	5226128		Plunger & bushing
	5229705		Plunger & bushing
	3	5226480	
5228244			Body assembly
5228503			Body assembly
5228754			Body assembly
5228797			Body assembly
5228798			Body assembly
5228888			Body assembly
5229039			Body assembly
5229709			Body assembly
5226126			Body assembly
4	5229235	(9582645)	NV tip assembly
	5229195	(9582646)	NV tip assembly
	5229230	(9582647)	NV tip assembly
	5229265	(9582648)	NV tip assembly
	5229270	(9582649)	NV tip assembly
	5229275	(9582650)	NV tip assembly
	5229260	(9582651)	NV tip assembly
	5226131		NV tip assembly
5	5227274		Valve (5227269) & seat (5227268) assembly
6	5228703		Spray tip (med. flow)



NEW P.N.	OLD P.N.	BODY CHART		GROOVES	ENG. SERIES
		WITH SLIDE	WITHOUT SLIDE		
5226480	5226726		■	NO	567- 645
5228244	5228245		■	1x.06"	567- 645
5228503	5228504		■	2x.06"	567
5228754	5228755	■		2x.06"	567
5228798	5228761	■		1x.06"	567- 645
5228797	5228759	■		NO	567- 645
5228888	5228887	■		3x.06"	645
5229039	5229037	■		1x.19"	645
5229709		■		2x.19"	645
5226126		■		NO	710

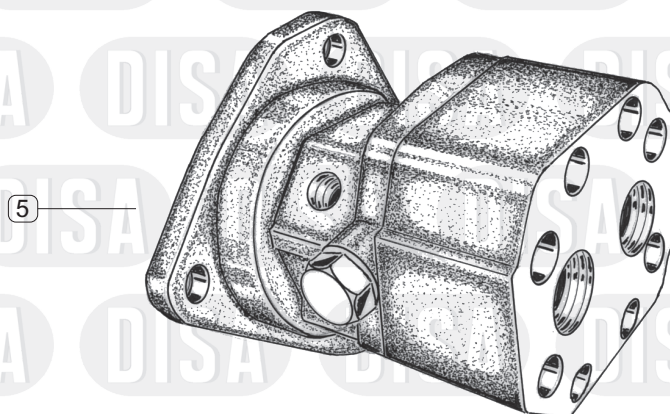
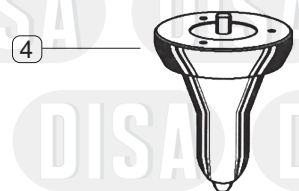
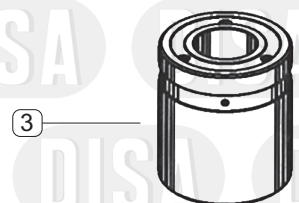
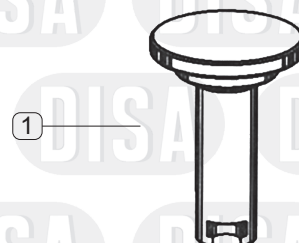
DETROIT DIESEL FUEL SUPPLY PUMPS & OVERHAUL KIT

ITEM NO.	PART NO.	DESCRIPTION
0	5199560	Pump assy., fuel LH
	5199561	Pump assy., fuel RH
	5199734	Pump assy., fuel High Output RH
	5199735	Pump assy., fuel High Output LH
1	R23532981	Pump assy., 60 series
	E23517845	Pump assy., 60 series (use R23532981)
	R23505245	Pump assy., 60 series (use R23532981)
	R23537686	Pump assy., 60 series (use R23532981)
2	5195078	Overhaul kit, for 5199560 and 5199561 fuel pumps
	5149599	Overhaul kit, for 5199734 and 5199735 High Output fuel pumps
3	23517845K-A	Overhaul kit, for fuel pump - 60 serie - complete
	23517845K-B	Overhaul kit, for fuel pump - 60 serie - without shaft
	23517845K-C	Overhaul kit, for fuel pump - 60 serie - without shaft and gears
4	23505249	Spider



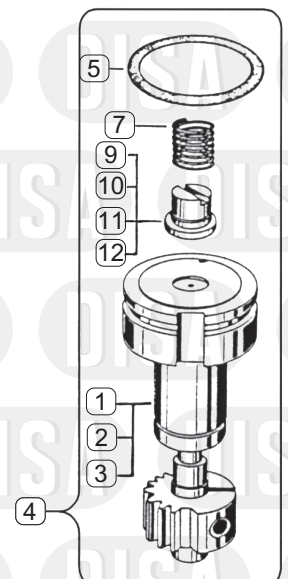
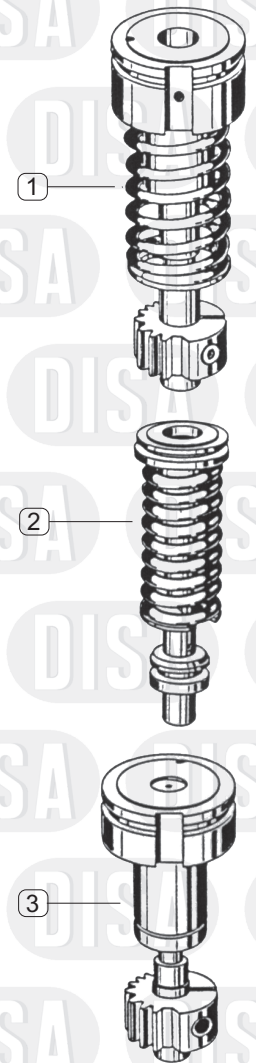
DETROIT DIESEL FUEL INJECTOR 60 SERIES

ITEM NO.	PART NO.	DESCRIPTION
1	13009/33	Follower, injector
2	54207/33	Seat, valve spring - thickness = .122
	54208/33	Seat, valve spring - thickness = .124
	54209/33	Seat, valve spring - thickness = .126
	54217/33	Seat, valve spring - thickness = .128
3	54361/33	Cage, injector valve spring
4	41548/33	Tip assembly for injector 5237099
	41578/33	Tip assembly for injector 5236977-5235575
	41578/34	Tip assembly for injector 5237045
	41598/33	Tip assembly for injector 5235550
	41608/33	Tip assembly for injector 5236978-5235580
	41588/33	Tip assembly for injector 5235915
	41568/33	Tip assembly for injector 5237466
	41559/33	Tip assembly for injector 5237650
	41559/34	Tip assembly for injector 5234945
	41569/33	Tip assembly for injector 5236995-5234940-5235695
	41579/33	Tip assembly for injector 5237320
	41609/34	Tip assembly for injector 5234865
	41719/33	Tip assembly for injector 5237820
	41619/33	Tip assembly for injector 5235605-5234935
	41619/34	Tip assembly for injector 5234795
	41639/33	Tip assembly for injector 5234870
	41629/34	Tip assembly for injector 5234785
41639/34	Tip assembly for injector 5237821	
41509/33	Tip assembly for injector 5237473	
41669/34	Tip assembly for injector 5237787	
41589/33	Tip assembly for injector 5237635	
5	R23532981	Fuel supply pump
	E23517845	Fuel supply pump (use R23532981)
	R23505245	Fuel supply pump (use R23532981)
	R23537686	Fuel supply pump (use R23532981)



CATERPILLAR PLUNGERS & BARRELS

ITEM NO.	PART NO.	DESCRIPTION
1	1W6541	Plunger and Barrel
	2W3414	Plunger and Barrel <i>superseded by 108-6631</i>
	4P9830	Plunger and Barrel
	7E6007	Plunger and Barrel <i>superseded by 108-2104</i>
	7W0182	Plunger and Barrel
2	7W5929	Plunger and Barrel
	108-2104	Plunger and Barrel
	108-6631	Plunger and Barrel
	1W3010	Plunger and Barrel
3	6N7527	Plunger and Barrel
	142-2812	Plunger and Barrel
	142-2818	Plunger and Barrel
	1P6400	Plunger & Barrel with seal 3D2992
	3S8336	Plunger & Barrel with seal 3D2992
	4S5758	Plunger & Barrel with seal
	4S7913	Plunger & Barrel with seal 3D2992
	4N4997	Plunger & Barrel with seal 3D2992
	7N1183	Plunger & Barrel with seal 3D2992
	7N1220	Plunger & Barrel with seal 3D2992
4	7S6681	Plunger & Barrel with seal 3D2992
	8N3539	Plunger & Barrel with seal 3D2992
	8S3656	Plunger & Barrel with seal 3D2992
	9H5796	Plunger & Barrel with seal 3D2992
	9H5797	Plunger & Barrel with seal 3D2992
	9L4102	Plunger & Barrel with seal 3D2992
	-----	P. & B. Kit You can compose your assembly including a choice of P&B, valve, spring and seal



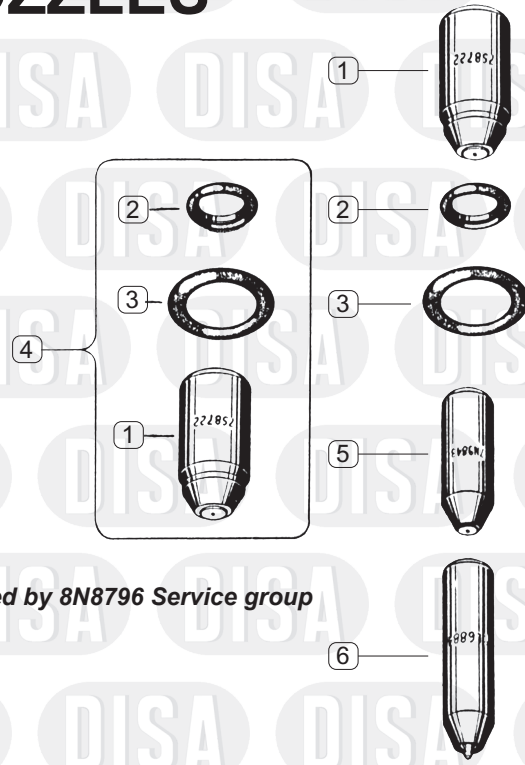
CATERPILLAR PLUNGERS & BARRELS

ITEM NO.	PART NO.	DESCRIPTION	
5	1M1077	Seal O-Ring <i>superseded by 3D2992</i>	
	3D2992	Seal O-Ring	
	4D3107	Seal O-Ring	
	4N0223	Seal O-Ring <i>superseded by 6F6672</i>	
	6F6672	Seal O-Ring	
6	7C9966	Spherical insert	
	7	1S8634	Check valve spring
		3F0303	Check valve spring
		6N0024	Check valve spring
		8N1415	Check valve spring
		8N5993	Check valve spring
		9B1363	Check valve spring
		9L9424	Check valve spring
		9S0097	Check valve spring
		8	9L6892
9			2S1631
	3F0305	Check valve with spring	
	4N2655	Check valve with spring	
	8S4175	Check valve with spring	
	9H5746	Check valve with spring	
	9B1320	Check valve with spring	
	7N1410	Check valve (scratched) with spring	
	7N5148	Check valve (scratched) with spring	
10	8N1414	Check valve (RF)	
11	9L6889	Check valve (RF)	
	9N0593	Check valve (RF)	
12	4W5869	Check valve (ODV) <i>superseded by 1W6987</i>	
	4P7688	Check valve (ORF)	
	4P9258	Check valve (ORF)	
	1W6982	Check valve (ORF) <i>superseded by 4P7688</i>	
	1W6987	Check valve (ORF)	



CATERPILLAR CAPSULE NOZZLES

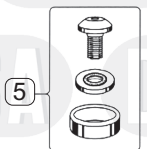
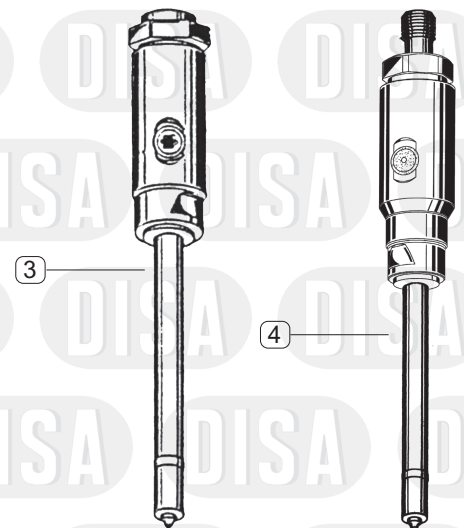
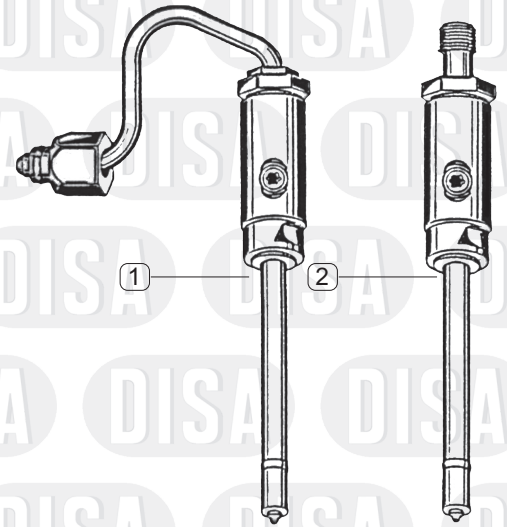
ITEM NO.	PART NO.	DESCRIPTION	
1	7M4601	Capsule nozzle	
	8N1831	Capsule nozzle	
	8N3173	Capsule nozzle	
	8N3176	Capsule nozzle	
	8N4694	Capsule nozzle	
	8N4697	Capsule nozzle	
	8N5986	Capsule nozzle	
	9F4113	Capsule nozzle	
	2	6F1069	Seal
5B3718		Seal	
3	3S6638	Service group (nozzle 8N5986)	
	5H7936	Service group (nozzle 8N3173)	
	6H3364	Service group (nozzle 9F4113)	
	7M7431	Service group (nozzle 7M4601)	
	7S9891	Service group (nozzle 7S8722) <i>superseded by 8N8796 Service group</i>	
	8M1584	Service group (nozzle 8N4697)	
	8N8796	Service group (nozzle 8N4694)	
	9F2393	Service group (nozzle 5F2805)	
	5	2S9828	Capsule nozzle <i>superseded by 8N3177</i>
		4N1251	Capsule nozzle <i>superseded by 7N9843</i>
		7S5105	Capsule nozzle <i>superseded by 9N6173</i>
7N9843		Capsule nozzle	
8N3175		Capsule nozzle	
6	8N3177	Capsule nozzle	
	9N6173	Capsule nozzle	
	9L6884	Capsule nozzle	
	9N3246	Capsule nozzle	



CAPSULE NOZZLES SUPERCESSION LIST	
NEW	OLD
7N9843	4N1251
8N1831	7N5005 - 7S1059 - 1P1098♦
8N3173	5H5836
8N3176	7M4190
8N3177	2S9828
8N4694	7S8722
8N4697	5M4086
8N5986	2S4442
9N6173	7S5105
♦ SERVICE GROUP	

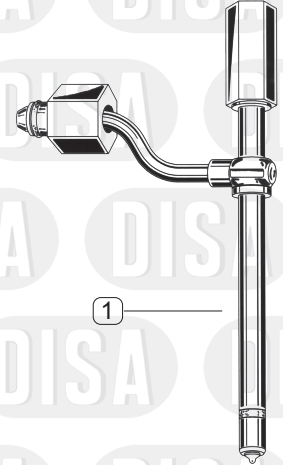
CATERPILLAR 7000 SERIES INJECTORS

ITEM NO.	PART NO.	DESCRIPTION	
1	4W7011	Injector <i>superseded by 4W7016</i>	
	4W7015	Injector	
	4W7016	Injector	
2	8N7004	Injector <i>superseded by 4W7015</i>	
	100-7559	Injector	
	131-3190	Injector	
	167-7489	Injector	
	170-5181	Injector	
	170-5183	Injector	
	170-5187	Injector	
	7W7038	Injector <i>superseded by 170-5187</i>	
	7W7045	Injector <i>superseded by 170-5181</i>	
	8N7001	Injector <i>superseded by 8N7005</i>	
	8N7002	Injector <i>superseded by 8N7003</i>	
	8N7003	Injector	
	8N7005	Injector	
	3	100-7556	Injector
		100-7558	Injector
		100-7562	Injector
		104-3377	Injector
129-1351		Injector	
130-1804		Injector	
130-1806		Injector	
130-5187		Injector	
130-5190		Injector	
4W7017		Injector	
4W7018		Injector	
4W7019		Injector	
4W7020		Injector	
4W7021		Injector	
4W7022		Injector	
7W7030		Injector	
7W7031		Injector	
7W7026	Injector		
7W7032	Injector		
7W7033	Injector <i>superseded by 130-1804</i>		
7W7037	Injector		
7W7040	Injector		
7W7041	Injector		
7W7042	Injector		
7W7043	Injector		
8N7006	Injector <i>superseded by 4W7017</i>		
8N7007	Injector <i>superseded by 4W7017</i>		
4	104-9453	Injector	
5	59990/32	Kit for 7000 series	



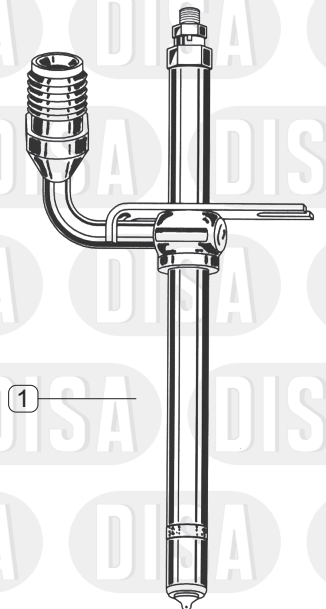
CATERPILLAR PENCIL NOZZLES

ITEM NO.	PART NO.	OTHER PART NO.	DESCRIPTION
1	9L6969	(22746 - 22762 - OR2501)	Nozzle assy
	7N0449	(22808)	Nozzle assy
	1W5829	(23546 - OR2503 - 9N3979)	Nozzle assy
	9N2366	(23143 - OR2500 - 9L7883)	Nozzle assy



JOHN DEERE PENCIL NOZZLES

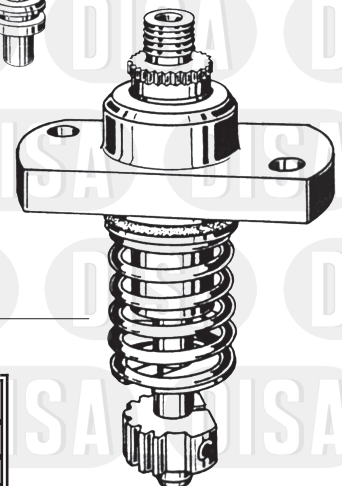
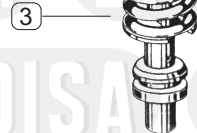
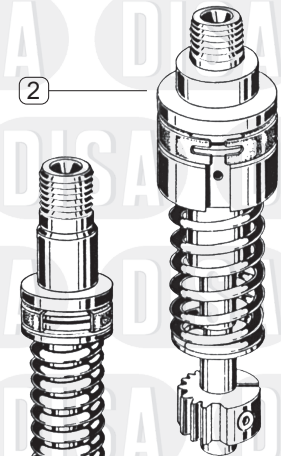
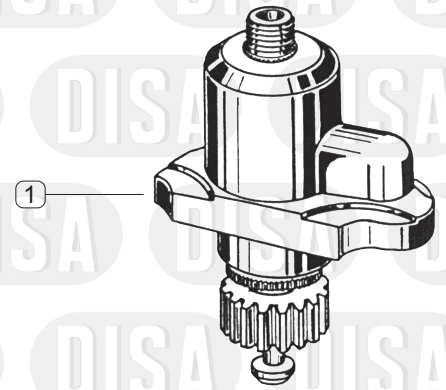
ITEM NO.	PART NO.	DESCRIPTION
1	26964	Nozzle assy (*)
	27333	Nozzle assy (*)
	27336	Nozzle assy (*)
	28481	Nozzle assy (*)
	28485	Nozzle assy (*)
	29279	Nozzle assy (*)
	35542	Nozzle assy (*)



CATERPILLAR INJECTION PUMPS AND FUEL INJECTION PUMP GROUPS

ITEM NO.	PART NO.	DESCRIPTION
1	1P3409	Pump assembly
	2S7264	Pump assembly
	8M2667	Pump assembly
	8M3138	Pump assembly
	8M3280	Pump assembly
	8M9753	Pump assembly
	8M9755	Pump assembly
	8M9758	Pump assembly
2	1W6539TYPE1	Fuel inj. pump group
	1W6539TYPE2	Fuel inj. pump group
	2W3413	Fuel inj. pump group <i>superseded by 108-6630</i>
	4P9827	Fuel inj. pump group
	4W0101	Fuel inj. pump group <i>superseded by 7W0561</i>
	6N1042	Fuel inj. pump group
	6N1043	Fuel inj. pump group
	6N7829	Fuel inj. pump group
	7E6006	Fuel inj. pump group <i>superseded by 108-6633</i>
	7N1185	Fuel inj. pump group
	7N1219	Fuel inj. pump group
	7W0561	Fuel inj. pump group
	7W5928	Fuel inj. pump group
	108-6630	Fuel inj. pump group
	108-6633	Fuel inj. pump group
	108-6634	Fuel inj. pump group
3	4N8898	Fuel inj. pump assy
	4W5867	Fuel inj. pump assy <i>superseded by 9Y0510</i> ♦
	4W5868	Fuel inj. pump assy <i>superseded by 7C8927</i> ♦
	7C8927	Fuel inj. pump assy
	7N5301	Fuel inj. pump assy
	7W8040	Fuel inj. pump assy <i>superseded by 7C8927</i> ♦
	8N4997	Fuel inj. pump assy
	9N5857	Fuel inj. pump assy
	9Y0510	Fuel inj. pump assy
9Y9246	Fuel inj. pump assy	
4	133-8984	Fuel inj. pump assy
	3S1467	Pump assembly

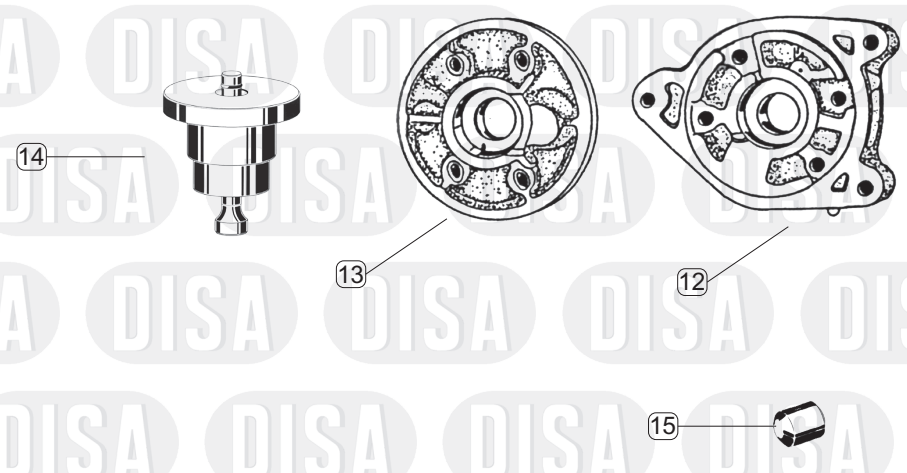
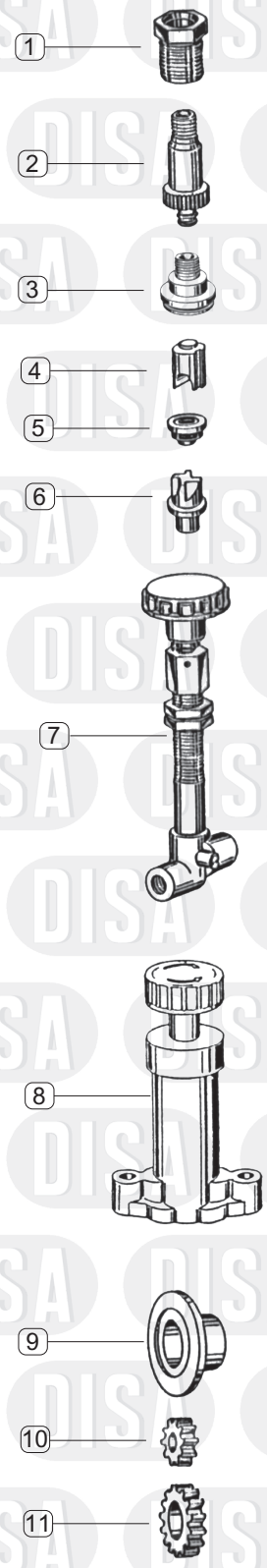
♦ WHILE USING A SUBSTITUTE FUEL INJECTION PUMP ASSY INSTEAD OF A SUPERSEDED ONE, SAME TYPE MUST BE USED THROUGHOUT A PUMP.



PUMP ASSEMBLY SUPERCESSION LIST	
NEW	OLD
1P3409	5M7577 - 7M9870 - 8M2899
2S7264	5L2972 - 8M2701
8M2667	7M9868
8M3138	6H5579
8M3280	4H5238 - 7F6042 - 8M3137 - 8M3277
8M9753	4F5015
8M9755	4H3417
8M9758	4F6921

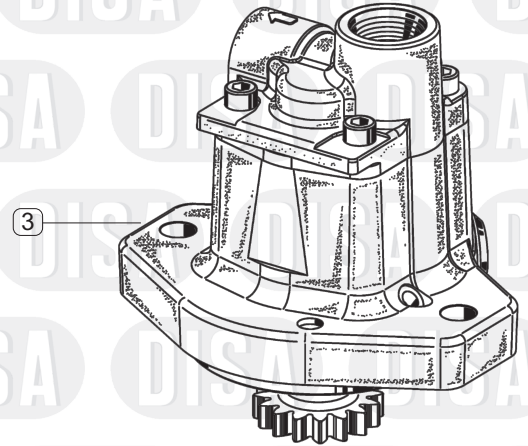
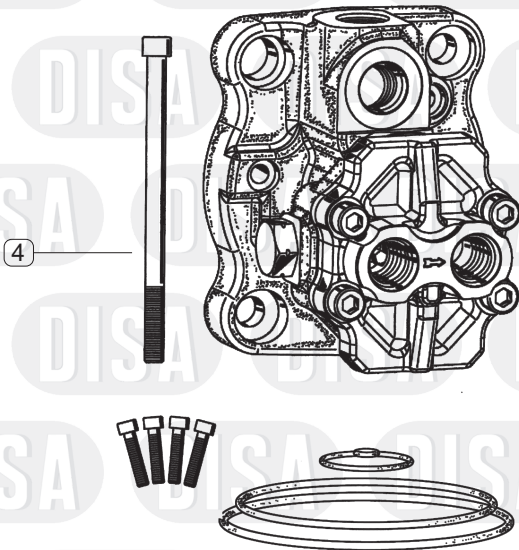
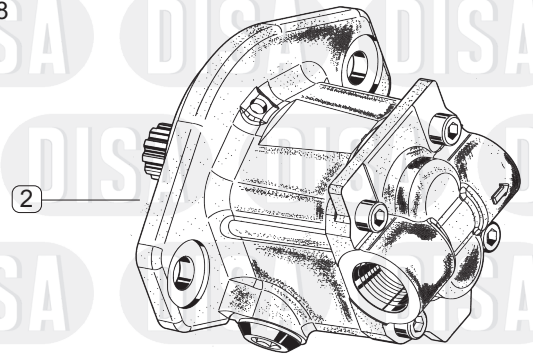
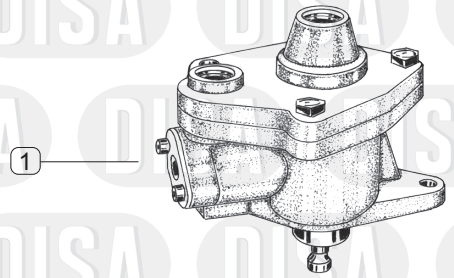
CATERPILLAR MISCELLANEOUS

ITEM NO.	PART NO.	DESCRIPTION
1	5H7225	Nut
2	7M4603	Body
	8S2389	Body
3	108-2102	Bonnet
	1W9171	Bonnet
	4N0209	Bonnet
	4N2484	Bonnet
	6I1327	Bonnet
	7W8039	Bonnet
	8N1417	Bonnet
	8N2516	Bonnet
	8S3653	Bonnet
	9L6893	Bonnet
4	8N1317	Lifter
	4N1750	Lifter <i>superseded by 8N1317</i>
5	1P2298	Valve assembly
	7E5346	Valve assembly <i>superseded by 1P2298</i>
6	4N1767	Valve
7	9H2256	Primer pump assembly
8	105-2508	Primer pump assembly
	4W0788	Primer pump assembly <i>superseded by 105-2508</i>
9	4N2954	Sleeve
10	4N0406	Idler gear
11	4N0429	Drive gear
12	9L6863	Transfer pump housing "NEW" for 3306
	4N1131	Old transfer pump housing <i>superseded by 9L6863</i>
13	4N1132	Transfer pump housing for 3208
14	1W5910	Tappet assy. for 1W1700
	1W5912	Tappet assy. for 1W1695
15	4N2685	Roller



CATERPILLAR FUEL PUMPS

ITEM NO.	PART NO.	DESCRIPTION
1	1W1695	Fuel transfer pump
	1W1700	Fuel transfer pump
2	384-8612	Fuel Supply Pump
	384-8611	Fuel Supply Pump
	388-7285	Fuel Supply Pump
3	394-1397	Fuel Supply Pump
	394-1398	Fuel Supply Pump
	242-5174	Fuel Supply Pump superseded by 394-1397
	286-2531	Fuel Supply Pump superseded by 394-1397
	331-3635	Fuel Supply Pump superseded by 394-1398
4	326-1006	Fuel Transfer Pump Kit



326-1006 - pump kit composition	
QTY	DESCRIPTION
1	PUMP P/N 318-6357 (178-2357)
1	SPECIAL BOLT FOR DISSASSEMBLING / ASSEMBLING PROCEDURES
4	FUEL PUMP MOUNTING SCREWS
7	SEAL KIT (7 O-RINGS)

CATERPILLAR GLOW PLUGS

ITEM NO.	PART NO.	DESCRIPTION
1	1P7324	Glow plug
	1P7912	Glow plug (use 3T9561)
	3H2033	Glow plug
	3S9624	Glow plug
	3T8705	Glow plug
	3T8706	Glow plug
	3T9561	Glow plug
	3T9562	Glow plug
	4N0184	Glow plug
	4N0360	Glow plug
	4S7824	Glow plug
	6N1058	Glow plug
	9N0194	Glow plug
	ZD - 1A	Glow plug (FORD - NAVISTAR 6,9 L)
	ZD - 9	Glow plug (FORD - NAVISTAR 7,3 L)
	ZD - 11	Glow plug (POWER STROKE 7,3 L)
	ZD - 13	Glow plug (POWER STROKE 6,0 L)



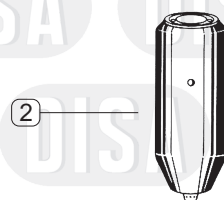
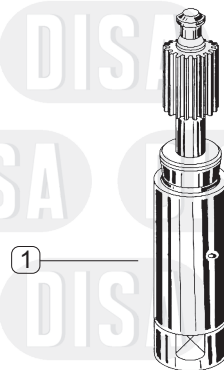
CATERPILLAR GASKET KITS - FUEL SYSTEM

ITEM NO.	PART NO.	DESCRIPTION
20	3E3339	Gasket kit for 3116 engine
	5P8329	Gasket kit for 3406 engine
	5P9419	Gasket kit for 3304 engine
	5P9461	Gasket kit for 3300 engine
	6N1133	Gasket kit for 3304,3306 engine
	6V1167	Gasket kit for 3412,3412C engine
	6V2414	Gasket kit for 3306 engine
	6V2901	Gasket kit for 3304,3306 engine
	6V2909	Gasket kit for 3208 engine
	6V2914	Gasket kit for 3306 engine
	6V4707	Gasket kit for 3306 engine
	6V4780	Gasket kit for 950B engine
	6V4788	Gasket kit for 3306 engine
	6V5920	Gasket kit for 3408 engine
	6V8042	Gasket kit for 3306,3306B engine
	6V9725	Gasket kit for 3406B engine
	6V9894	Gasket kit for 3406B engine
	6V9897	Gasket kit for 3508,3512,3516 engine
	6V9908	Gasket kit for 3306 engine
	8C5790	Gasket kit for 3306,3306B engine
	8T1653	Gasket kit for 3306B engine
	8T2500	Gasket kit for 3408 engine
	8T7539	Gasket kit for 3306 engine
	8T7562	Gasket kit for 3306 engine
	8T9081	Gasket kit for 3406 engine
	8T9484	Gasket kit for 3304 engine

CATERPILLAR MUI INJECTORS

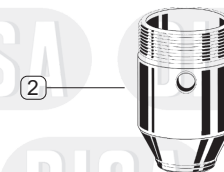
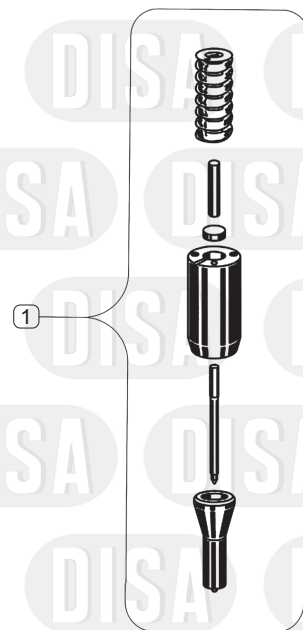
3500 SERIES

ITEM NO.	PART NO.	DESCRIPTION
1	7E3399	P&B assy for injector 7E3384 - 7E3382 - 7E3383 - 7E3381 4P9075 - 4P9076 - 4P9077
2	7C0340	Capsule nozzle for injector 7C0341 - 7C4173 - 7E3381 4P9075 - 7C9578
	7C0344	Capsule nozzle for injector 9Y4544 - 7C0345 - 7C4175 7E3383 - 7C9576 - 4P9077
	7C2238	Capsule nozzle for injector 9Y1785 - 7C2239 - 4P9076 7C4174 - 7E3382 - 7C9577 - 7E3382
	9Y0051	Capsule nozzle for injector 9Y0052 - 7E3384 - 7E6408



3114 - 3116 - 3126 SERIES

ITEM NO.	PART NO.	DESCRIPTION
1	41955/31	Nozzle Assy for injector - Reman Code OR8473 - (*)
	41956/31	Nozzle Assy for injector - Reman Code OR8469 - (*)
	41966/31	Nozzle Assy for injector - Reman Code OR8682 - (*)
	41986/31	Nozzle Assy for injector - Reman Code OR8684 - (*)
	41996/31	Nozzle Assy for injector - Reman Code OR8461 - (*)
2	15016/31	Nut, nozzle

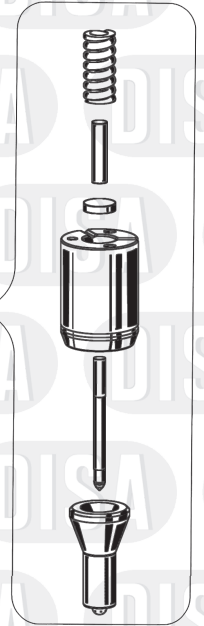


Note - (*) Interchangeable injector part numbers are available on your reserved area on www.disa.it

CATERPILLAR EUI INJECTORS

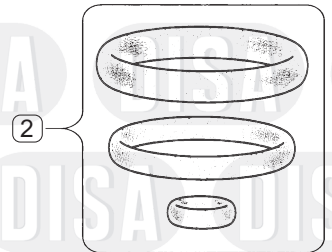
C10 - C12 SERIES

ITEM NO.	PART NO.	DESCRIPTION
1	41936/32	Nozzle Assy for injector - Reman Code 10R1259 - (*)
	41946/31	Nozzle Assy for injector - Reman Code 10R0963 - (*)
	44906/31	Nozzle Assy for injector 212-3460 - Reman code 10R0960 - (*)
2	224-5797	External seal kit for injector - reman codes 10R0963 - 10R1259



C13 SERIES

ITEM NO.	PART NO.	DESCRIPTION
1	41936/30	Nozzle Assy for injector - Reman Code 10R3262 (*)
	41996/32	Nozzle Assy for injector - Reman Code 10R2977 (*)

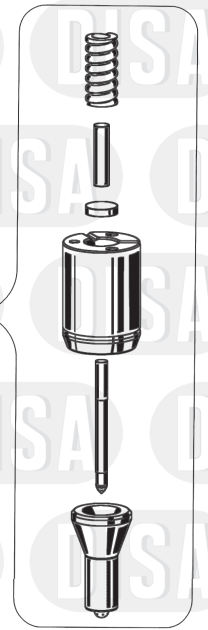
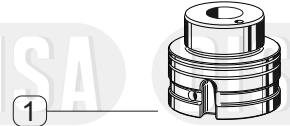


Note - (*) Interchangeable injector part numbers are available on your reserved area on www.disa.it

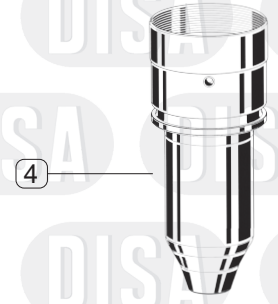
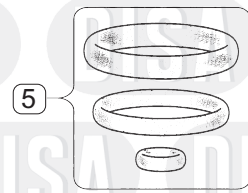
CATERPILLAR EUI INJECTORS

3406E/C15 - C16 - C18 - C27 - C32 SERIES

ITEM NO.	PART NO.	DESCRIPTION
1	23952/31	Control Valve (*)
	23956/31	Control Valve (*)
	23957/31	Control Valve (*)
2	23953/31	Control Valve (**)
	41916/31	Nozzle Assy for injector - Reman Code 10R2781 - (*)
3	41926/31	Nozzle Assy for injector - Reman Code 10R2780 - (*)
	41936/31	Nozzle Assy for injector - Reman Code 10R2782 - (*)
	41976/31	Nozzle Assy for injector - Reman Code 10R1000 -10R1273 - (*)
	41946/32	Nozzle Assy for injector - Reman Code 10R3265 - (*)
	41986/32	Nozzle Assy for injector - Reman Code 20R2285 - (*)
	41966/32	Nozzle Assy for injector - Reman Code 20R2284 - (*)
	44916/31	Nozzle Assy for injector 253-0618 - Reman Code 10R2772 and Perkins CH11945 (***)
	44926/31	Nozzle Assy for injector - Reman Code 10R0955 (*)
	44936/31	Nozzle Assy for injector 276-8307 - Reman Code 10R2731 and Perkins CH10948 - (***)
	4	15017/31
5	248-1394	External seal kit



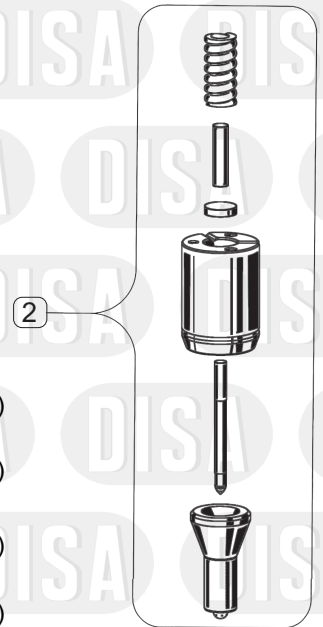
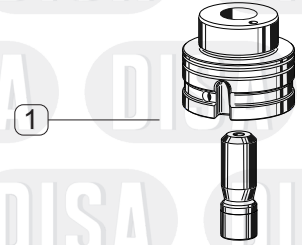
Note - (*) See differences between 23952/31 - 23956/31 - 23957/31 on www.disa.it
 Note - (**) Also suitable for Volvo injector 3155040
 Note - (***) Interchangeable injector part numbers are available on your reserved area on www.disa.it



CATERPILLAR EUI INJECTORS

3500B SERIES

ITEM NO.	PART NO.	DESCRIPTION
1	23952/31	Control Valve (*)
	23956/31	Control Valve (*)
	23957/31	Control Valve (*)
2	41908/31	Nozzle Assy for injector - Reman Code 20R0849 - 20R1275 - (*)
	41910/31	Nozzle Assy for injector - Reman Code 20R1264 - (*)
	41918/31	Nozzle Assy for injector - Reman Code 20R0850 - (*)
	41928/31	Nozzle Assy for injector - Reman Code 20R1270 - (*)
	41957/31	Nozzle Assy for injector - Reman Code 20R1280 - (*)
	41958/31	Nozzle Assy for injector - Reman Code 20R1278 - (*)
	41967/31	Nozzle Assy for injector 392-0205, 380-0225 Reman Code 20R1269, 20R3247 - (*)
	41997/31	Nozzle Assy for injector 392-0218 - Reman Code 20R1279 - (*)
	44927/31	Nozzle Assy for injector 392-0220 - Reman Code 20R1281 - (*)
	44948/31	Nozzle Assy for injector 423-7547 - Reman Code 20R2296 - (*)
44957/31	Nozzle Assy for injector 392-0216 - Reman Code 20R1277 - (*)	



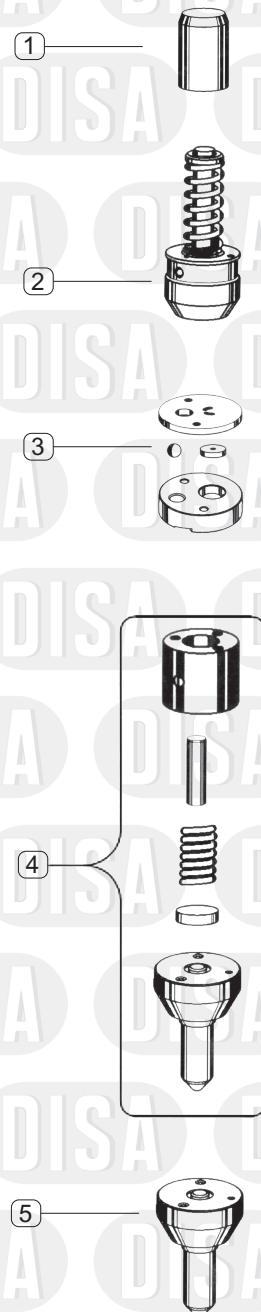
Note - (*) See EUI control valves differences on www.disa.it

Note - (**) Interchangeable injector part numbers are available on your reserved area on www.disa.it

CATERPILLAR - HEUI INJECTORS

POWER STROKE 3126B - 3126E - HI300 SERIES

ITEM NO.	PART NO.	DESCRIPTION
1	13054/31	Intensifier piston for injector OR9349 - OR9350 - 10R0781 - 10R0782 10R1257 - 10R1306 (*)
	13056/31	Intensifier piston for injector OR9348 - 10R1262 OR1050 - 10R1050 (*)
2	06063/31	P&B assy for injector OR 9348 - 10R1262 OR1050 - 10R1050 (*) (**)
	07161/31	P&B assy for injector OR9349 - OR9350 - 10R0781 10R0782 - 10R1257 (*) (**)
	07162/31	P&B assy for injector 10R1306 (*) (**)
3	11956/31	Check valve assembly for all injectors (*)
4	41006/32	Nozzle assembly for injector OR9348 - 10R1257 (*)
	41016/32	Nozzle assembly for injector OR9349 (*)
	41026/32	Nozzle assembly for injector OR9350 (*)
	41036/32	Nozzle assembly for injector 10R0781 (*)
	41046/32	Nozzle assembly for injector 10R0782 - 10R1262 (*)
	41007/32	Nozzle assembly for injector OR1050 - 10R1050 (*)
	41056/32	Nozzle assembly for injector 10R1306 (*)
5	41406/32	Nozzle for injector OR9348 - OR9350 - 10R1257 (*)
	41416/32	Nozzle for injector OR9349 - 10R0782 - 10R1262 (*)
	41446/32	Nozzle for injector 10R0781 (*)
	41407/32	Nozzle for injector OR1050 - 10R1050 (*)
	41456/32	Nozzle for injector 10R1306 (*)
41466/32	Nozzle for injector REMAN 10R8999	
6	242-1539	External seal kit for all injectors (*)
7	80944/31	Internal seal kit - (4 O-Rings) - for injector OR9349 - OR9350 10R0781 - 10R0782 10R1257 - 10R1306 - 10R8999 (*)
8	80943/31	Internal seal kit (3 O-Rings) for injector OR9348 - 10R1262 OR1050 - 10R1050 (*)



Note - (*) Interchangeable injector part numbers are available on your reserved area on www.disa.it

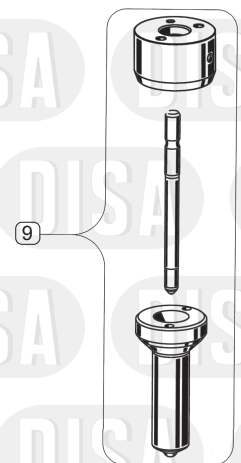
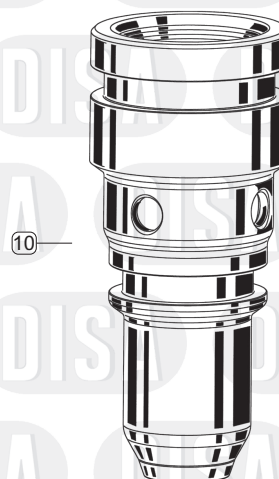
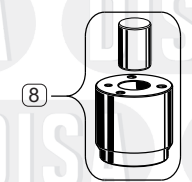
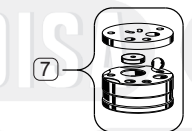
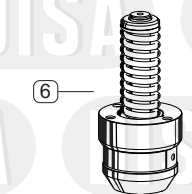
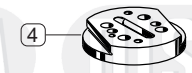
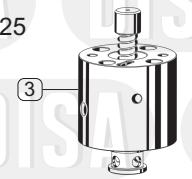
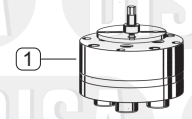
Note - (**) A remanufactured P&B option is also available if receiving the used cores back (MOQ = 250 pcs)



CATERPILLAR - HEUI INJECTORS

C7 - C9 SERIES

ITEM NO.	PART NO.	DESCRIPTION
1	23955/32	Control Valve Assembly for injector 10R4761 - 10R4762 - 10R4763 10R4764 - 10R4843 - 10R7221 - 10R7222 - 10R7223 - 10R7225
2	13703/32	Spool vent plate for injector 10R4761 - 10R4762 - 10R4763 - 10R4764 10R4843 - 10R7221 - 10R7222 - 10R7223 - 10R7225
3	23940/32	Spool valve assy. with spring and pin for injector 10R4761 - 10R4762 10R4763 - 10R4764 - 10R4843 - 10R7221 - 10R7222 - 10R7223 - 10R7225
4	13702/32	Hydraulic connector plate II for injector 10R4761 - 10R4762
	13712/32	Hydraulic connector plate II for injector 10R4763 - 10R7221 - 10R7222 10R7223 - 10R7225
5	13701/32	Hydraulic plate for injector REMAN 10R4761 - 10R4762
	13711/32	Hydraulic plate for injector 10R4763 - 10R7221 - 10R7222 10R7223 - 10R7225
6	06800/32	P&B assy. for injector 10R4761 - 10R4762 - 10R4763 - 10R4764 10R7221 - 10R7222 - 10R7223 - 10R7225
7	11957/32	Check valve assy. for injector 10R4761 - 10R4762 - 10R4763 - 10R4764 10R7221 - 10R7222 - 10R7223 - 10R7225
8	23250/32	Oil control assy. for injector REMAN 10R4761 - 10R4762 - 10R4763 10R4764 - 10R4843 - 10R7221 - 10R7222 - 10R7223 - 10R7225
9	41905/32	Nozzle assembly for injector 254-4339, 328-2577, 387-9433, 387-9438 / reman code 10R4764, 10R7222
	41906/32	Nozzle assembly for injector 328-2572 / reman code 10R4843
	41915/32	Nozzle assembly for injector 387-9432, 328-2578 reman code 10R7223, 10R4844
	41925/32	Nozzle assembly for injector 387-9434, 328-2575 reman code 10R7221, 10R9001
	41926/32	Nozzle assembly for injector 328-2583 / reman code 10R4761
	41956/32	Nozzle assembly for injector 328-2584 / reman code 10R4762
	41976/32	Nozzle assembly for injector 387-9427, 387-9428 / reman code 10R4763, 10R7225
10	15020/31	Nut, nozzle for injector 10R4761 - 10R4762 - 10R4763 - 10R4764 10R7221 - 10R7222 - 10R7223 - 10R7225



Note - (*) Interchangeable injector part numbers are available on your reserved area on www.disa.it

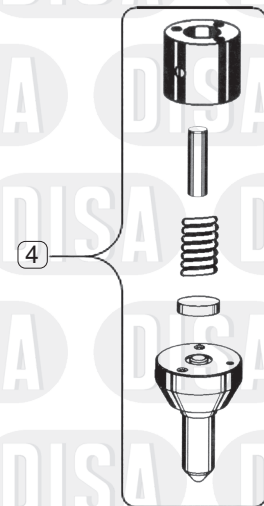
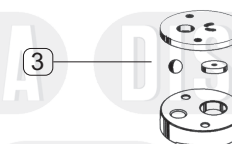
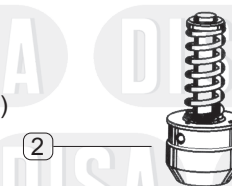
HEUI INJECTORS

POWER STROKE - NAVISTAR DT466E/I530E

PERKINS N1300

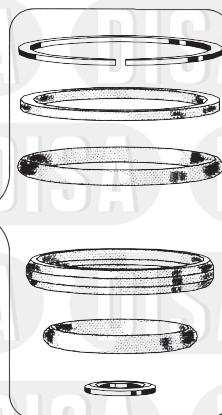
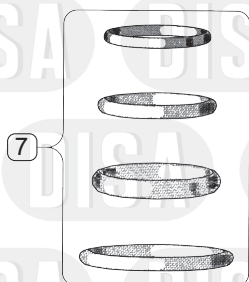
DETROIT DIESEL 7,6L40E/8,7L40E

ITEM NO.	PART NO.	DESCRIPTION
1	13052/31	Intensifier piston for injector Body Code BA - BB - BC (*)
	13055/31	Intensifier piston for injector Body Code BD (*)
	13057/31	Intensifier piston for injector Body Code BE (*)
	13054/31	Intensifier piston for injector Body Code BF - BG - BI - BJ - BN - BP (*)
2	06001/31	P&B assy for injector Body Code BA - BB - BC (*) (**)
	07100/31	P&B assy for injector Body Code BD (*) (**)
	06060/31	P&B assy for injector Body Code BE (*) (**)
	07160/31	P&B assy for injector Body Code BF - BG - BI - BJ - BN - BP (*) (**)
3	11956/31	Check valve assembly for all injectors (*)
4	41025/31	Nozzle assembly for injector BA (*)
	41015/31	Nozzle assembly for injector BB (*)
	41005/31	Nozzle assembly for injector BC - BE (*)
	41035/31	Nozzle assembly for injector BD (*)
	41045/31	Nozzle assembly for injector BF (*)
	41006/31	Nozzle assembly for injector BG - BJ (*)
	41016/31	Nozzle assembly for injector BI (*)
	41026/31	Nozzle assembly for injector BN (*)
5	41036/31	Nozzle assembly for injector BP (*)
	41425/31	Nozzle for injector BA (*)
	41415/31	Nozzle for injector BB (*)
	41405/31	Nozzle for injector BC - BE (*)
	41435/31	Nozzle for injector BD (*)
	41445/31	Nozzle for injector BF (*)
	41506/31	Nozzle for injector BG - BJ (*)
	41516/31	Nozzle for injector BI (*)
41526/31	Nozzle for injector BN (*)	
41536/31	Nozzle for injector BP (*)	
6	80941/31	External seal kit for all injectors (*)
7	80944/31	Internal seal kit - (4 O-Rings) - for injector BD - BF - BG - BI - BJ - BN - BP (*)
8	80943/31	Internal seal kit - (3 O-Rings) - for injector BA - BB - BC - BE (*)



Note - (*) Interchangeable injector part numbers are available on your reserved area on www.disa.it

Note - (**) A remanufactured P&B option is also available if receiving the used cores back (MOQ = 250 pcs)

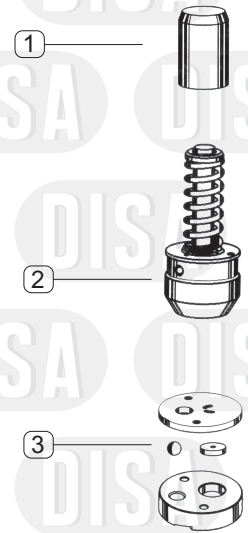


HEUI INJECTORS

POWER STROKE - FORD 7.3L

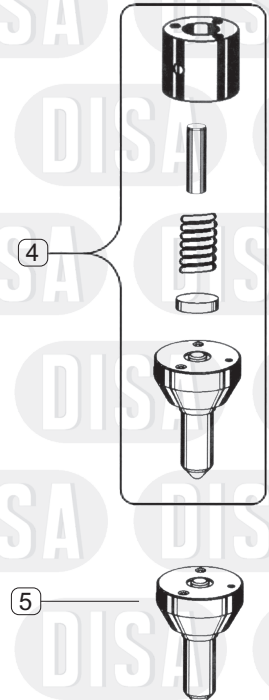
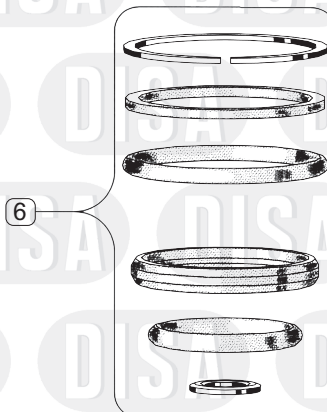
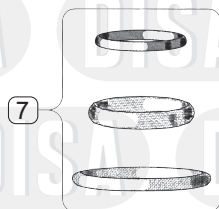
NAVISTAR T444E

ITEM NO.	PART NO.	DESCRIPTION
1	13051/31	Intensifier piston for injector Body Code AA (*)
	13050/31	Intensifier piston for injector Body Code AB (*)
	13052/31	Intensifier piston for injector Body Code AC (*)
	13056/31	Intensifier piston for injector Body Code AD (*)
	13053/31	Intensifier piston for injector Body Code AE (*)
	13058/31	Intensifier piston for injector Body Code AF (*)
2	06000/31	P&B assy for injector Body Code AA (*) (**)
	06060/31	P&B assy for injector Body Code AB - AF (*) (**)
	06001/31	P&B assy for injector Body Code AC (*) (**)
	06061/31	P&B assy for injector Body Code AD - AE (*) (**)
3	11956/31	Check valve assembly (*)
4	41007/31	Nozzle assembly for injector AA- AB - AC - AD - AE - AF (*)
5	41507/31	Nozzle for injector AA - AB - AC - AD - AE - AF (*)
6	80941/31	External seal kit for all injectors (*)
7	80943/31	Internal seal kit for all injectors (*)



Note - (*) Interchangeable injector part numbers are available on your reserved area on www.disa.it

Note - (**) A remanufactured P&B option is also available if receiving the used cores back (MOQ = 250 pcs)



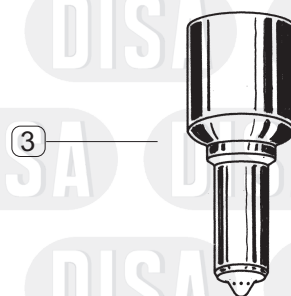
G2.8 INJECTORS

POWER STROKE - FORD 6.0L NAVISTAR VT365

ITEM NO.	PART NO.	DESCRIPTION
1	23200/13	Spool Valve for injector 4C3Z9E527AA (*) (**)
2	11920/13	Check Valve Assembly for injector 4C3Z9E527AA (*)
3	51506/13	Nozzle assembly for injector 4C3Z9E527AA (*)



Note - (*) Interchangeable injector part numbers are available on your reserved area on www.disa.it
 Note - (**) Supplied according to customer external diameter specs.
 (MOQ = 1.000 pcs)



DENSO JOHN DEERE CR NOZZLES

4.5L – 6.8L - 8.1L – 9.0L

ITEM NO.	PART NO.	DESCRIPTION	
1	DLLA125P889	CR Nozzle for injector RE546776 (*)	
	DLLA127P944	CR Nozzle for injector RE531209(*)	
	DLLA127P945	CR Nozzle for injector RE531210 (*)	
	DLLA129P890	CR Nozzle for injector RE546777 (*)	
	DLLA129P983	CR Nozzle for injector RE546780(*)	
	DLLA133P814	CR Nozzle for injector RE516540 (*)	
	DLLA139P887C	CR Nozzle for injector RE524382(*)	
	DLLA139P887D	CR Nozzle for injector RE534111 (*)	
	DLLA139P925	CR Nozzle for injector RE546782 (*)	
	DLLA148P763	CR Nozzle for injector RE524369 (*)	
	DLLA148P764	CR Nozzle for injector RE524368 (*)	
	DLLA148P795	CR Nozzle for injector RE524371 (*)	
	DLLA148P820	CR Nozzle for injector RE524362 (*)	
	DLLA148P826	CR Nozzle for injector RE524364 (*)	
	DLLA148P828	CR Nozzle for injector RE524360 (*)	
	DLLA149P1036	CR Nozzle for injector RE524361 (*)	
	2	G3S17	CR Nozzle for injector RE543605(*)
		G3S18	CR Nozzle for injector RE543606 (*)
		G3S19	CR Nozzle for injector RE545562 (*)



DENSO ISUZU CR NOZZLES

4HK1 - 6HK1

ITEM NO.	PART NO.	DESCRIPTION
1	DLLA144P690	CR Nozzle for injector 095000-0452 (*)
	DLLA155P935	CR Nozzle for injector 095000-6384(*)
	DLLA155P936	CR Nozzle for injector 095000-6395 (*)
	DLLA156P759	CR Nozzle for injector 095000-0145 , 09500-0146(*)
	DLLA156P846	CR Nozzle for injector 095000-5360 , 095000-5363 (*)
	DLLA158P854	CR Nozzle for injector 095000-5471 , 095000-5472 (*)
2	G3S108	CR Nozzle for injector 095000-2130 (*)
	G3S14	CR Nozzle for injector 095000-0323 , 095000-0324 (*)

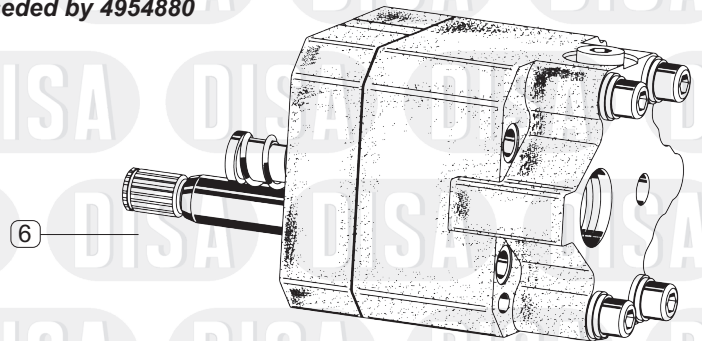
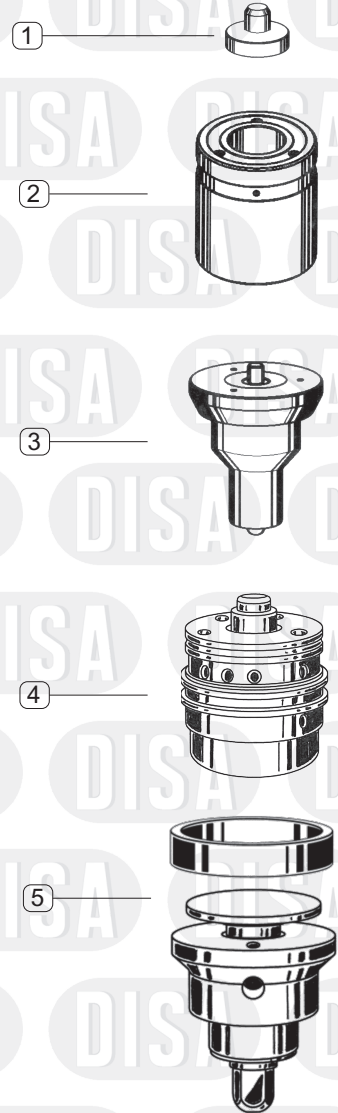


Note - (*) Interchangeable injector part numbers are available on your reserved area on www.disa.it

CUMMINS INJECTORS

CELECT SERIES

ITEM NO.	PART NO.	DESCRIPTION
1	54204/30	Seat, valve spring - thickness = .1145
	3067426	Seat, valve spring - thickness = .1185
	54206/30	Seat, valve spring - thickness = .1235
2	3066736	Cage, injector valve spring
3	3066733	Tip assembly, marked 3076071 for injector 3652542
	3079964	Tip assembly, marked 3079963 for injector 3652540
	3087790	Tip assembly, marked 3087791 for injector 3411763
	3084591	Tip assembly, marked 3084592 for injector 3411752
	3088176	Tip assembly, marked 3088175 for injector 3411764
	3095042	Tip assembly, marked 3095043 for injector 3411753
	3095728	Tip assembly, marked 3095729 for injector 3411754
	3095733	Tip assembly, marked 3095734 for injector 3411755
	3409977	Tip assembly, marked 3409978 for injector 3411762
	3411387	Tip assembly, marked 3411388 for injector 3411767
	3411403	Tip assembly, marked 3411404 for injector 3411758
	3411689	Tip assembly, marked 3411690 for injector 3411765
	3411693	Tip assembly, marked 3411694 for injector 3411766
	3609851	Tip assembly, marked 3609852 for injector 3411761
	3609854	Tip assembly, marked 3609855 for injector 3411760
	3609860	Tip assembly, marked 3609861 for injector 3411759
	3609924	Tip assembly, marked 3609925 for injector 3411756
	4026224	Tip assembly, marked 4026225 for injector 4026222
	4061853	Tip assembly, marked 4061854 for injector 4061851
	4902922	Tip assembly, marked 4902924 for injector 4902921
4902928	Tip assembly, marked 4902928 for injector 4902925	
4903322	Tip assembly, marked 4903322 for injector 4903319	
4903475	Tip assembly, marked 4903475 for injector 4903472	
4928174	Tip assembly, marked 4928174 for injector 4928171	
4	3411711	Metering p&b assy (male configuration)
	3072450	Metering p&b assy (female configuration)
5	3034407K	Fuel control valve kit with Collar
6	4954880	Fuel supply pump
	4010324	Fuel supply pump - superseded by 4954880
	4010253	Fuel supply pump - superseded by 4954880





DIESEL INIEZIONE S.P.A. - MILANO - MAGENTA

**6, Via Ariosto
20145 MILANO Italy**

**Offices & Works:
Via Novara, 119
20013 MAGENTA (Milano) Italy
Phone: +39 02 97298381
Telefax: +39 02 9793194
E-mail: disa@disa.it
Web: www.disa.it**



DIESEL ENGINES FUEL INJECTION MANUFACTURING CO.

