





CERTIFICATE

We are pleased to certify
GUVENIS YED.PAR.MAK.TIC.LTD.STI.
located in Istanbul, Turkey

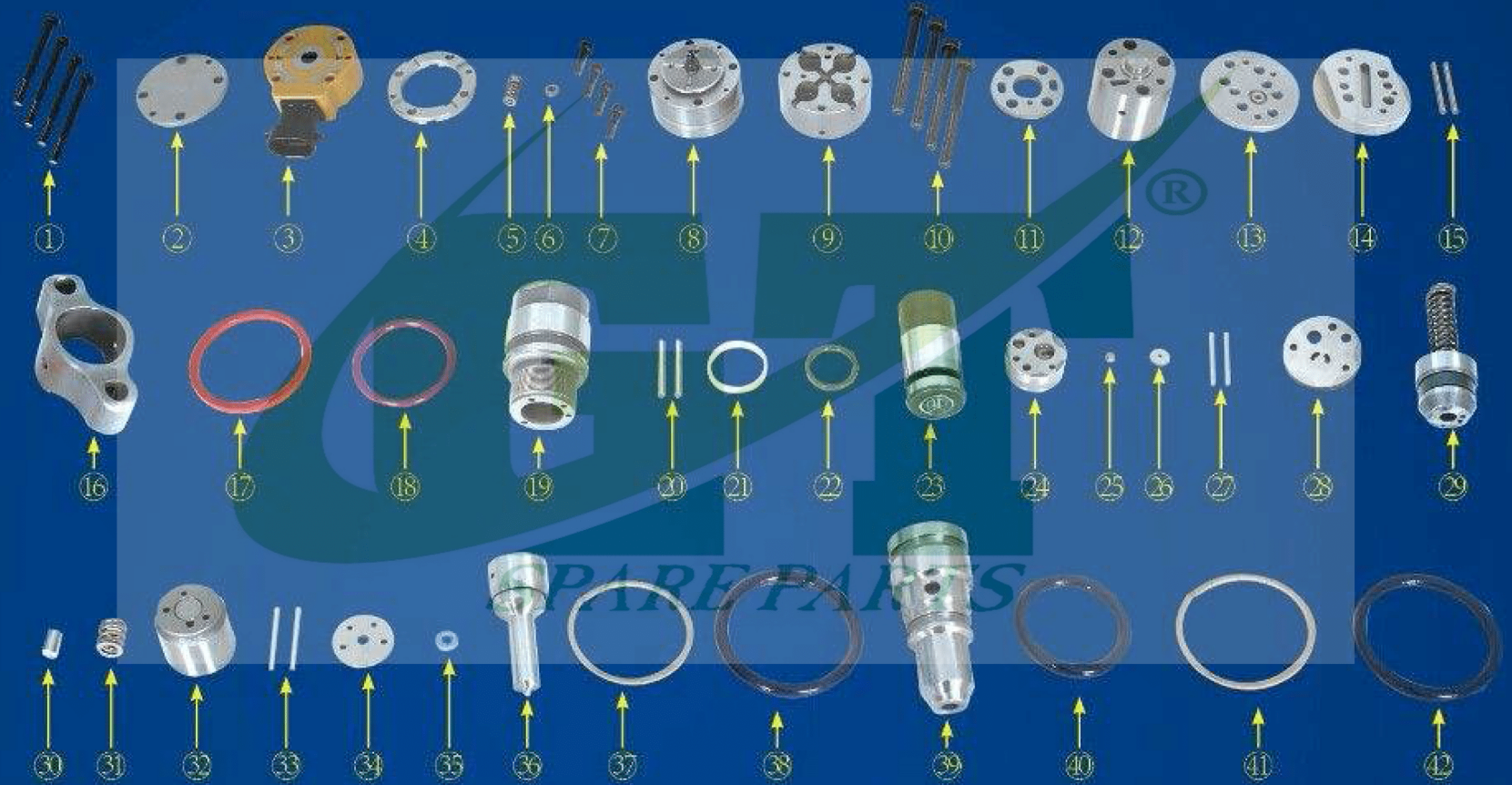
as DISA Authorized Dealer

Milan, September 10th, 2020

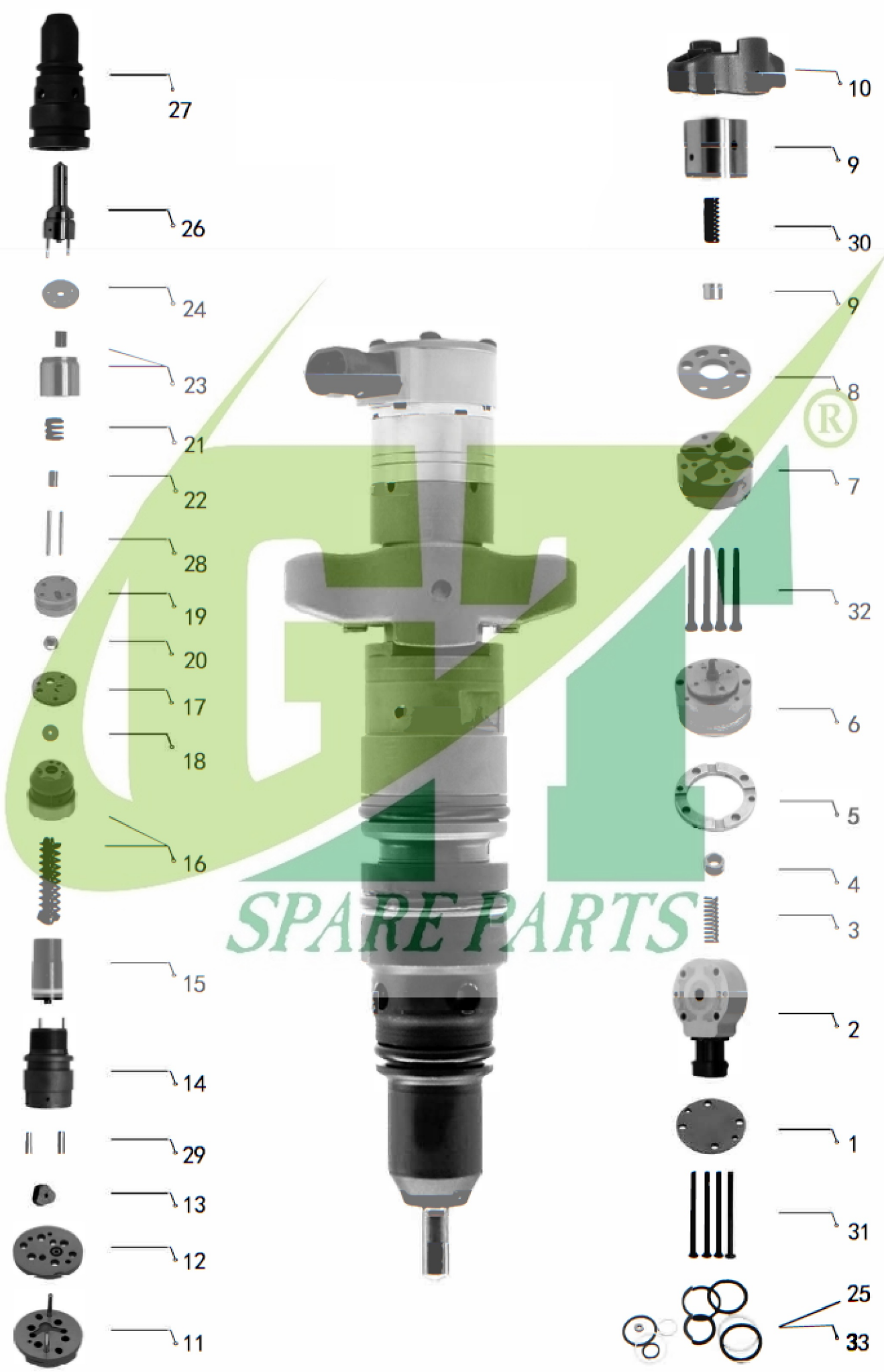

DISA
DIESEL INIEZIONE S.P.A.
Stefano Codini
Sales Manager

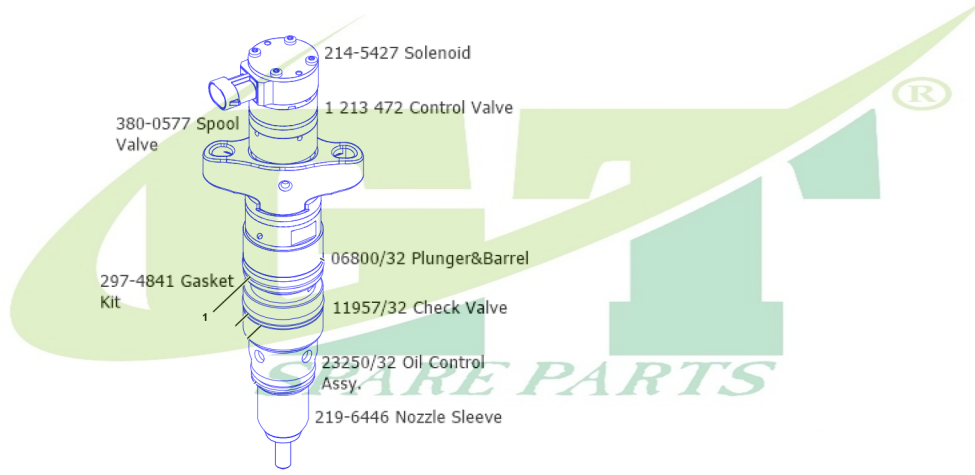


Güveniş Yedek Parça Makina İth.İhr.Tic.Ltd.Şti.
 İkitelli O.S.B. Dolapdere Sanayi Sitesi 19 Ada No:6
 Başakşehir / İstanbul
 Tel: +90.212.525.66.72 Fax: +90.212.534.81.67
 mkoca@guvenis.org
 can@guvenis.org



1	2	3	4	5	6	7	8	9	10	11	12	13	14
GT7A01	GT7A02	214-5427	171-6397	1 211 598	GT7A05	GT7A06	1 213 472	13703/32	GT7A09	GT7A09	380-0577	13711/32	13702/32
15	16	17	18	19	20	21	22	23	24	25	26	27	28
GT7A12	GT7A13	1 209 846	1 209 847	GT7A14	GT7A12	1 210 850		GT7A15	11957/32	GT7A16	GT7A17	GT7A18	GT7A19
29	30	31	32	33	34	35	36	37	38	39	40	41	42
222-2521	GT7A20	GT7A21	23250/32	GT7A18	GT7A22	1 211 604	222-6554 240-8062			219-6446 297-4841			





C7 Injector

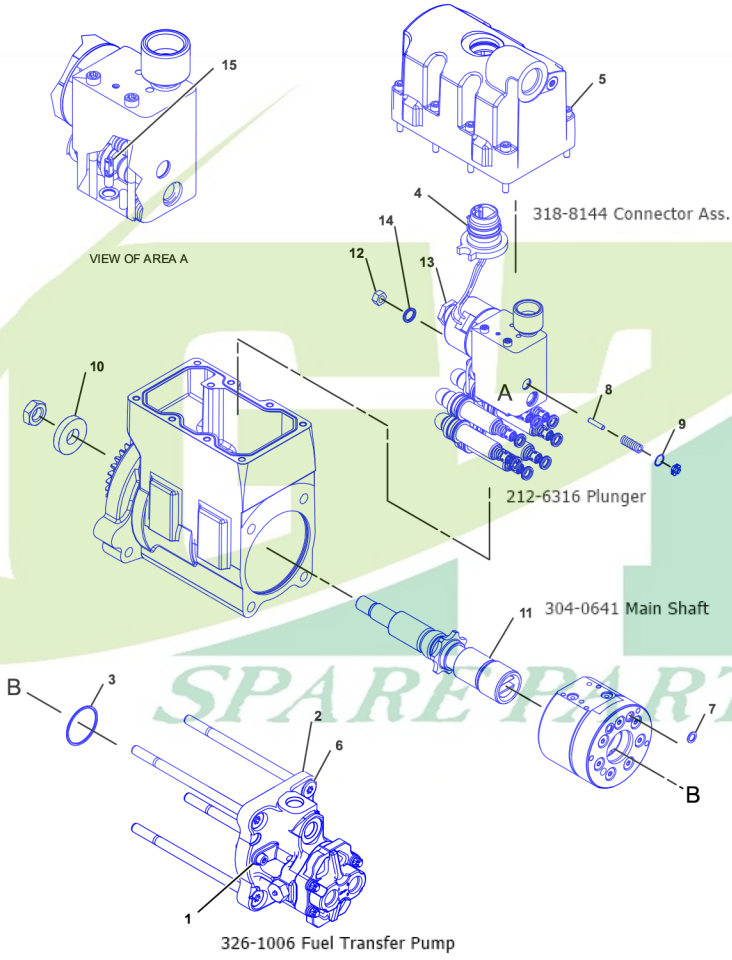
- 41926/32 Nozzle 328-2583 (10R4761)
- 41956/32 Nozzle 328-2584 (10R4762)
- 41976/32 Nozzle 387-9427/387-9428 (10R4763-10R7225)

C9 Injector

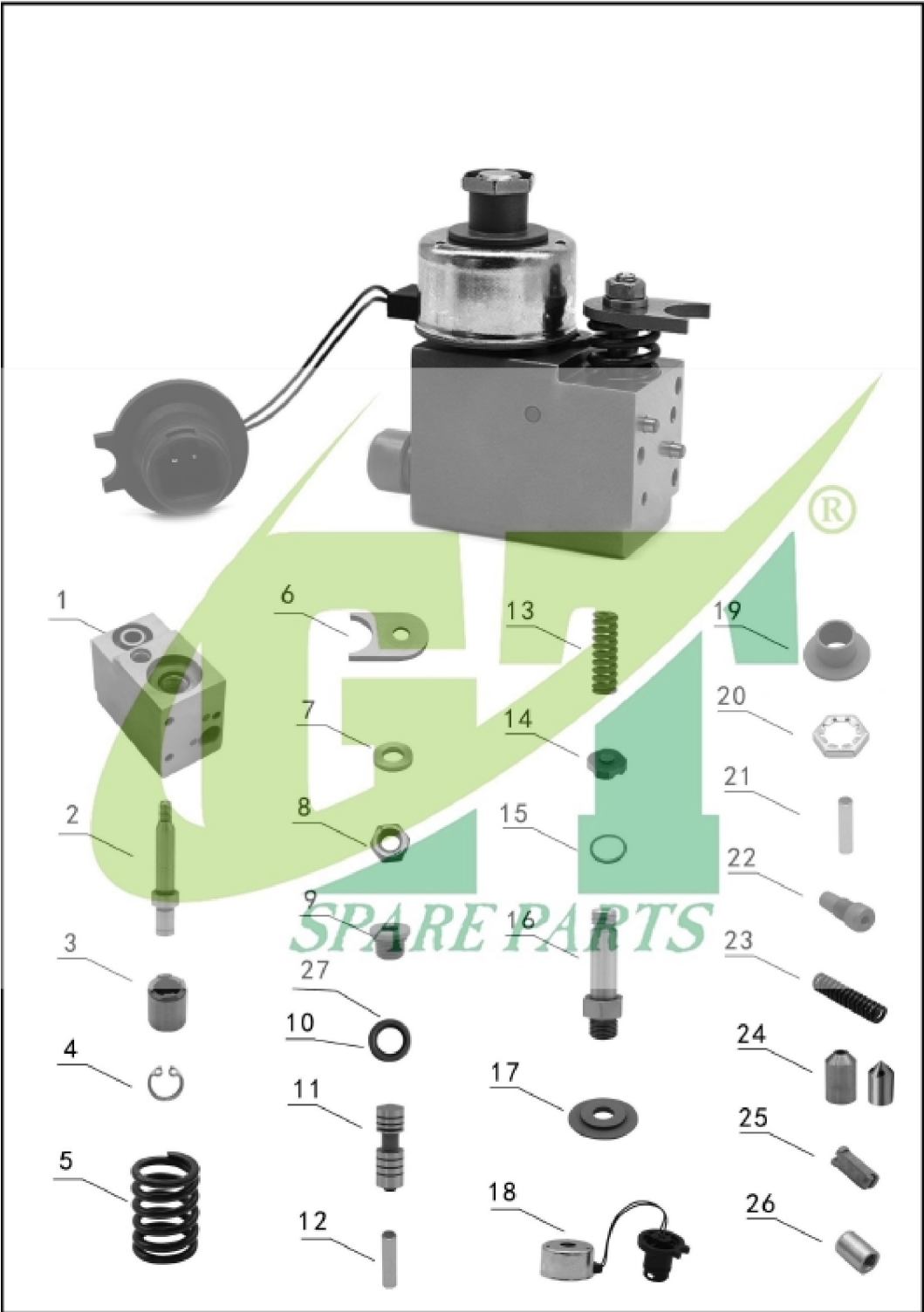
- 41905/32 Nozzle 254-4339/328-2577/387-9433/387-9438 (10R4764-10R7222)
- 41906/32 Nozzle 328-2572 (10R4843)
- 41915/32 Nozzle 387-9432/328-2578 (10R7223-10R4844)
- 41925/32 Nozzle 387-9434/328-2575 (10R7221-10R9001)

Notes :

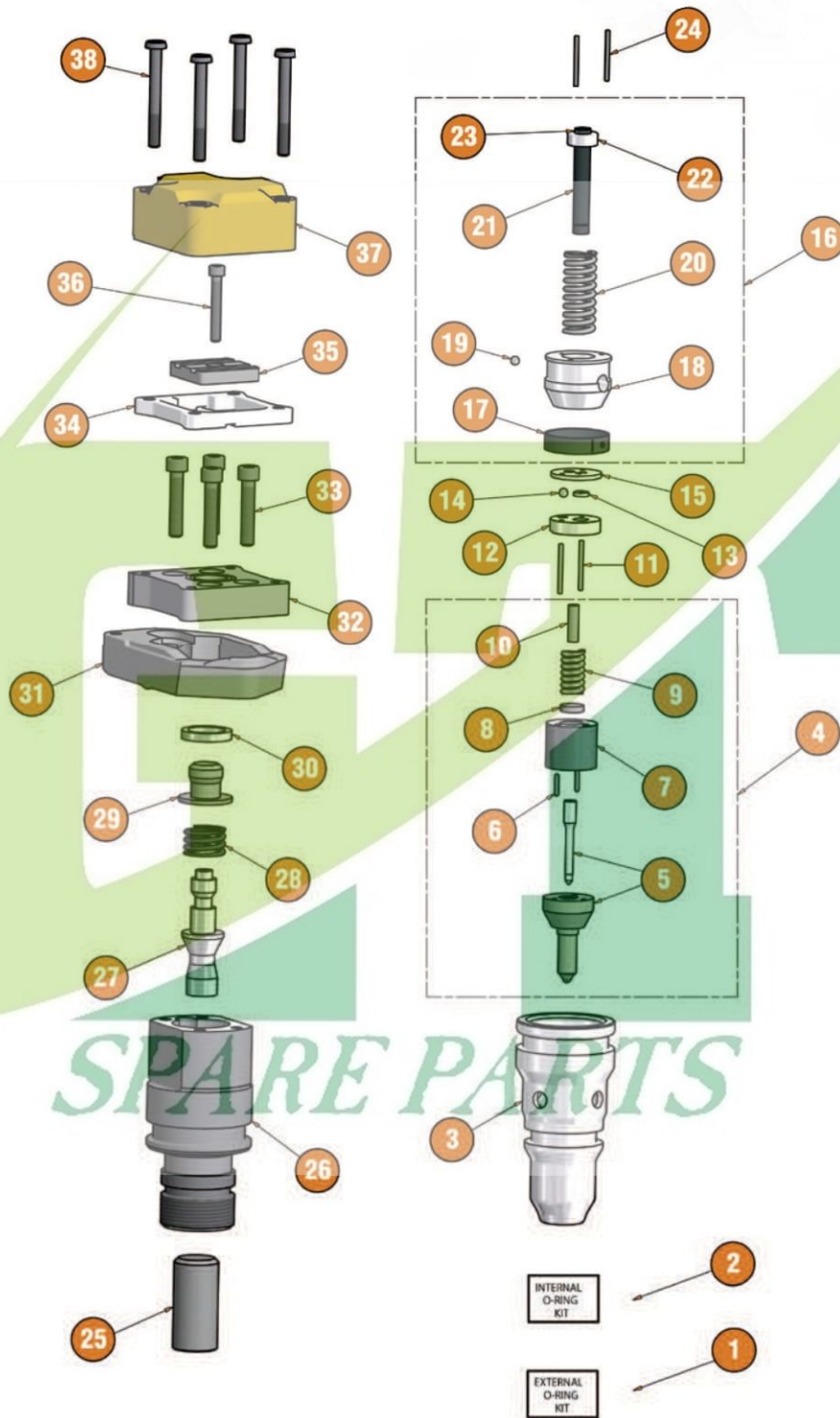
1 214 907 Fuel Pump Repair Gasket Kit



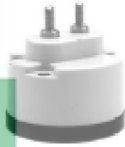


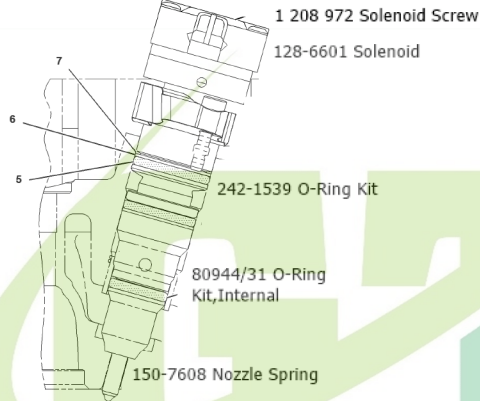
Notes :



HEUI Injector Components

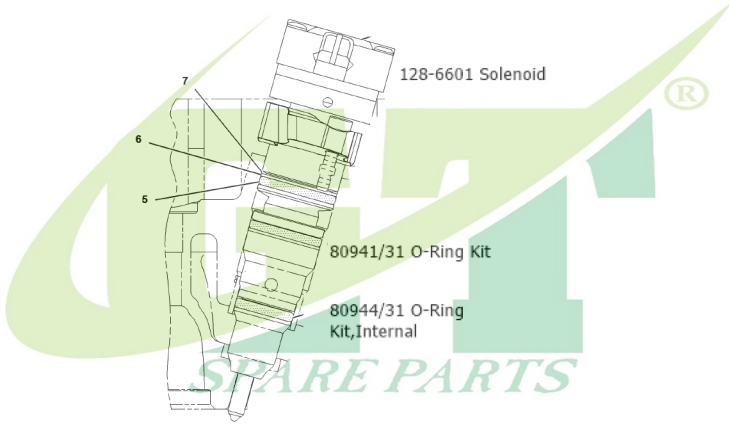


	Model	Suitable for Injector Model	Place of Origin	Product pictures	Remarks
	278-5527				
	320C	C4.2,C4.4 C6.4,C6.6			
	155-4066	C10,C12,C13 C15,C18,3500			
	214-5427	C7,C9,C-9			



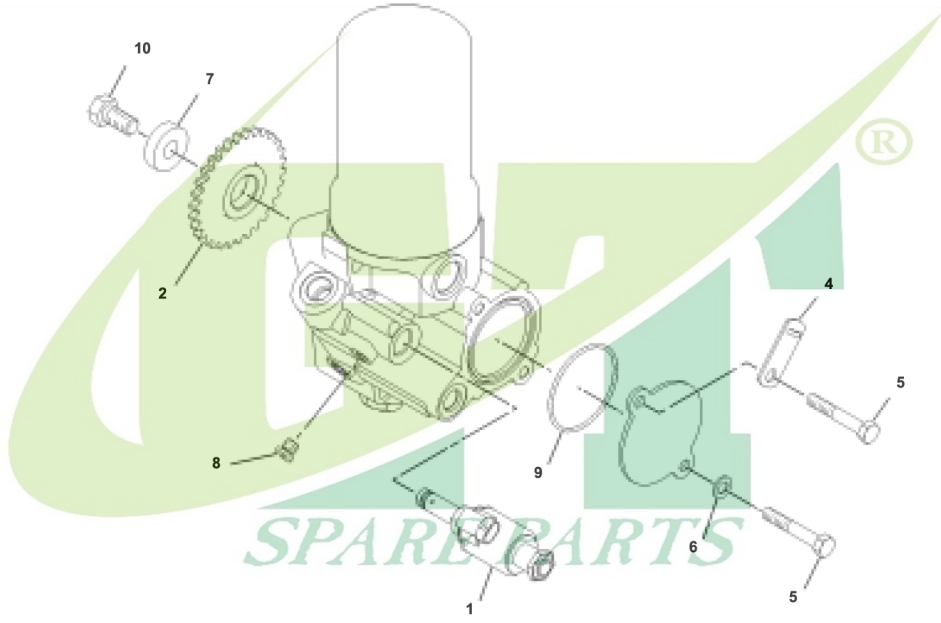
- 13056/31 Intensifier Piston, (OR9348,10R1262,OR1050,10R1050)
- 13054/31 Intensifier Piston, (OR9349,OR9350,10R0781,10R0782, 10R1257,10R1306,10R8999)
- 06063/31 Plunger&Barrel, (OR9348,10R1262,OR1050,10R1050)
- 07161/31 Plunger&Barrel, (OR9349,OR9350,10R0781,10R0782, 10R1257,10R8999)
- 07162/31 Plunger&Barrel, (10R1306)
- 11956/31 Check Valve, (OR9348,10R1257,OR1050,10R1050, OR9349,OR9350,10R0781,10R0782,10R1262,10R1306,10R8999)
- 41006/32 Nozzle, (OR9348,10R1257)
- 41007/32 Nozzle, (OR1050,10R1050)
- 41016/32 Nozzle, (OR9349)
- 41026/32 Nozzle, (OR9350)
- 41036/32 Nozzle, (10R0781)
- 41046/32 Nozzle, (10R0782,10R1262)
- 41056/32 Nozzle, (10R1306)
- 41066/32 Nozzle, (10R8999)
- 41406/32 Nozzle, (OR9348,OR9350,10R1257)
- 41407/32 Nozzle, (OR1050,10R1050)
- 41416/32 Nozzle, (OR9349,10R0782,10R1262)
- 41446/32 Nozzle, (10R0781)
- 41456/32 Nozzle, (10R1306)
- 41466/32 Nozzle, (10R8999)

Notes :



- 13054/31 Intensifier piston, BN
- 07160/31 Plunger&Barrel, BN
- 11956/31 Check valve, BN
- 41026/31 Nozzle, BN
- 41526/31 Nozzle, BN

Notes :



122-5053 Solenoid

Notes :

.....

.....

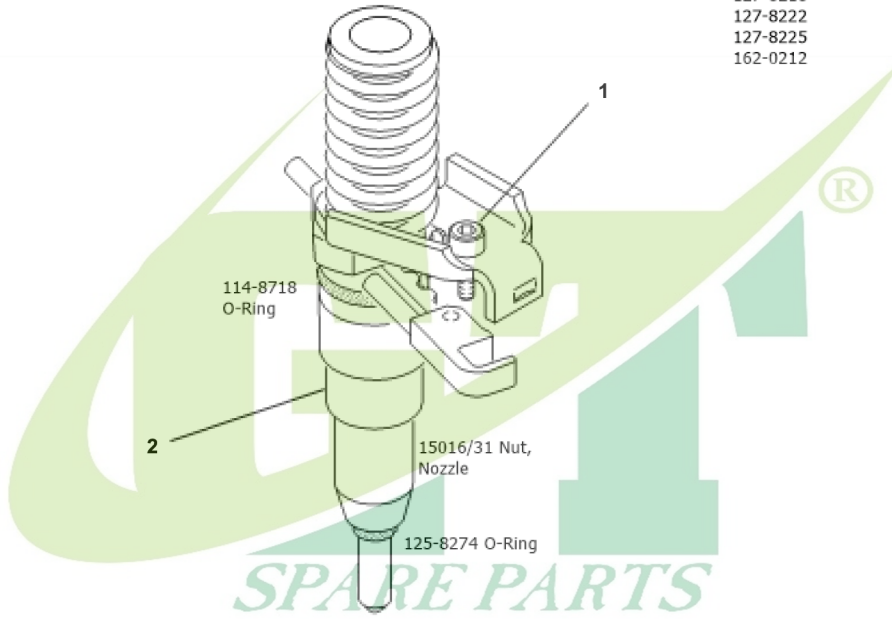
.....

.....

.....

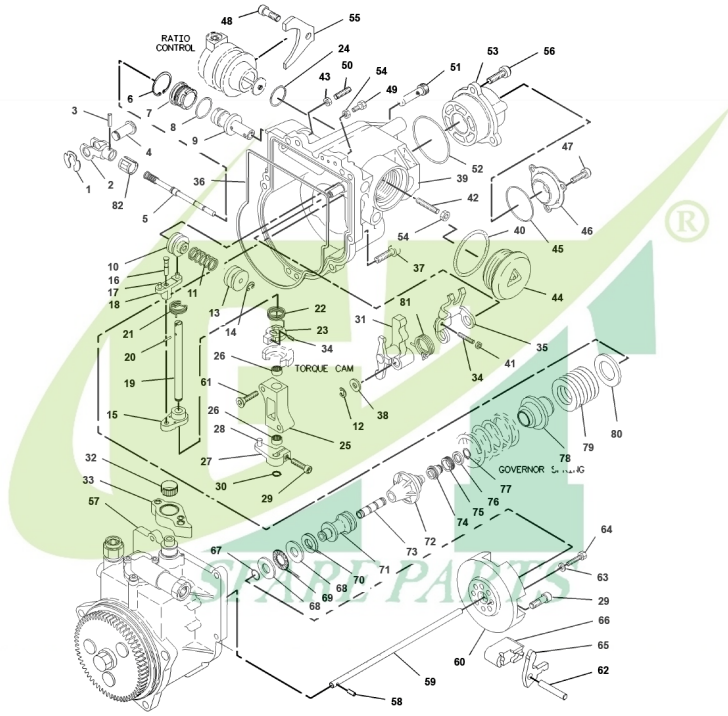
.....

4P2995
127-8205
127-8207
127-8209
127-8211
127-8213
127-8216
127-8218
127-8222
127-8225
162-0212

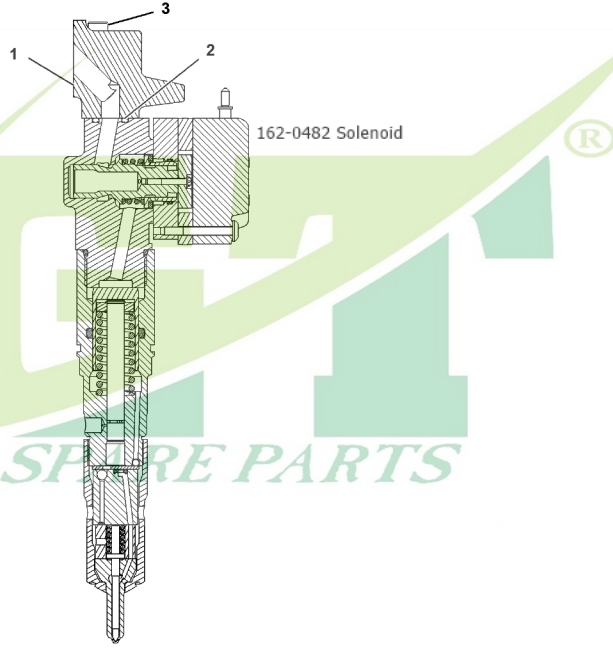


41955/31 Nozzle,127-8213
41956/31 Nozzle,127-8225
41966/31 Nozzle,127-8216
41986/31 Nozzle,127-8218
41996/31 Nozzle,127-8222

Notes :



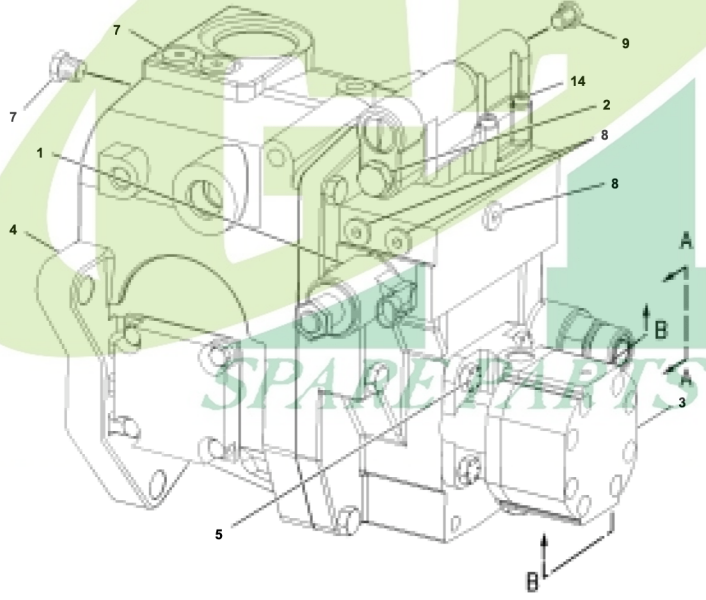
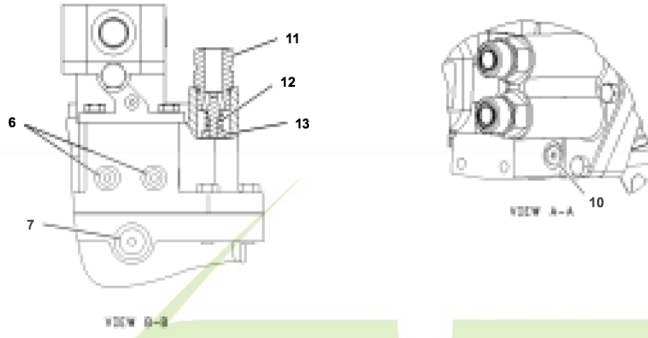
Notes :



167-7817 (10R1265-20R0758)

Notes :

.....
.....
.....
.....
.....
.....



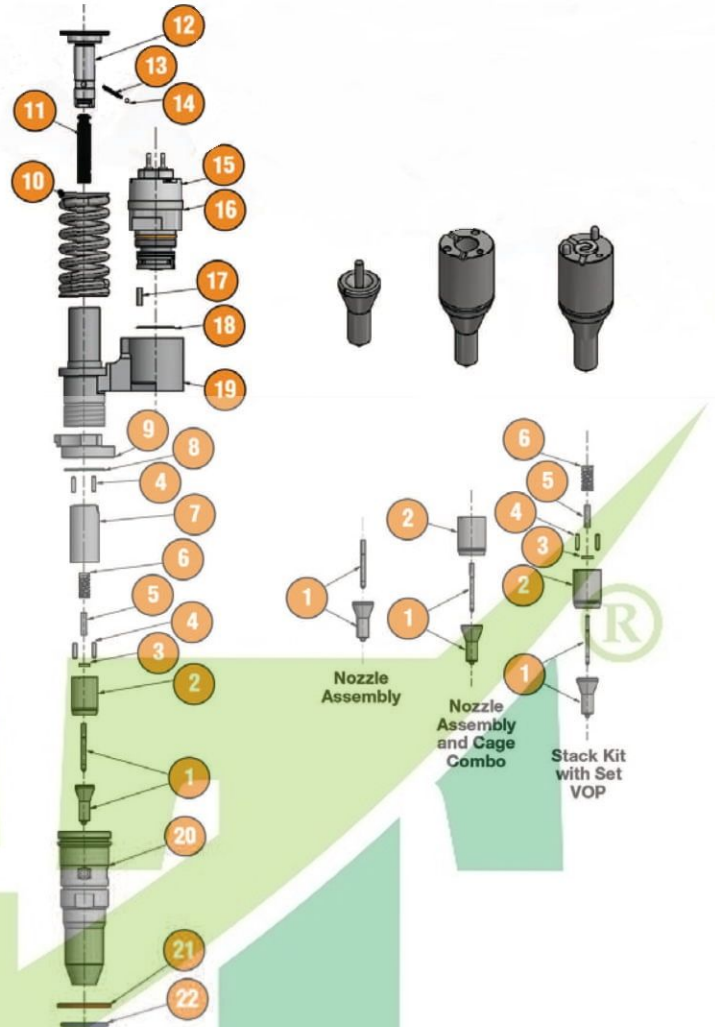
149-1950 Fuel Transfer Pump

Notes :

.....
.....
.....
.....
.....
.....

Caterpillar® 3500E Injectors

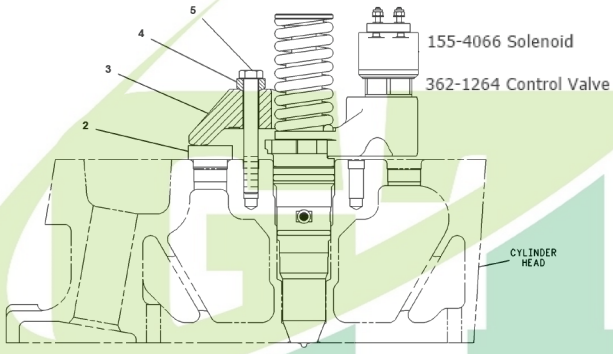
1	NOZZLE ASSEMBLY - 3500
2	SPRING CAGE - 3500
3	SEAT - VOP SPRING - 3500/C
4	DOWEL PIN - STACK - 3500/C
5	STOP PIN - NEEDLE - 3500/C
6	VOP SPRING - 3500/C
7	STACK SPACER - 3500
8	SEAL - O-RING - GREEN - INTERNAL
9	RING - CLAMP - 3500
10	REMAN - RING - CLAMP - CAT 3500
10	FOLLOWER SPRING - 3500
11	REMAN-FOLLOWER SPRING - 3500
11	PLUNGER - 3500
12	FOLLOWER - 3500
13	REMAN-FOLLOWER - CAT 3500
13	SPRING - BALL STOP - 3500/C
14	BALL STOP - 3500/C
15	ACTUATOR ASSEMBLY - EUI CAT
15	ACTUATOR ASSEMBLY-CAT 3500
16	STATOR SLEEVE - EUI ACTUATOR
17	PIN - ACTUATOR - 3500/C
17	REMAN- PIN - AL - SPOOL -3500/C
18	CRUSH GASKET - EUI BODY - 3500/C
19	BODY SUB ASSEMBLY - 3500
20	REMAN- BODY SUB ASSEMBLY - CAT 3500
20	NUT ASSEMBLY - 3500
21	SEAL - O-RING - RED - EXTERNAL
22	SEAL - O-RING - BLUE - EXTERNAL



Item	Description
M-2688154*	O-Ring Kit - 3500
M-2454907*	Seal - O-Ring External - Blue - 3500
M-2454908*	Seal - O-Ring External - Red - 3500
M-1063385*	Gasket Set - 3500 EUI
M-9X7735*	External O-Ring
M-1949584*	O-Ring Seal

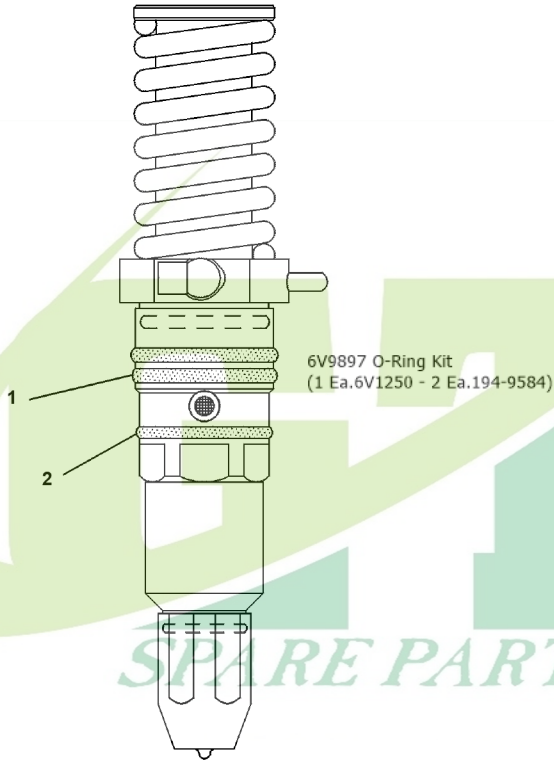


3920211	20R0849
3861752	20R1264
3920222	20R1282
3861766	20R1275
3861769	20R1278
3861758	20R1270
3920223	20R0864
3861760	20R1272
3920219	20R1280
3920213	20R0850
3920215	20R1276
3920205	20R1269
3920224	20R1283
3920220	20R1281
3920202	20R1266
3920216	20R1277
3920221	20R0863



- 41908/31 Nozzle, 392-0211 / 392-0214 (20R0849-20R1275)
- 41910/31 Nozzle, 392-0200 (20R1264)
- 41918/31 Nozzle, 392-0213 (20R0850)
- 41928/31 Nozzle, 392-0206 (20R1270)
- 41957/31 Nozzle, 392-0219 (20R1280)
- 41958/31 Nozzle, 392-0217 (20R1278)
- 41967/31 Nozzle, 392-0225 (20R3247)
- 41997/31 Nozzle, 392-0218 (20R1279)

Notes :



7E3399 Plunger&Barrel
7E3384, 7E3382, 7E3383, 7E3381, 4P9075, 4P9076, 4P9077

7C0340 Nozzle
7C0341, 7C4173, 7E3381, 4P9075, 7C9578

7C0344 Nozzle
9Y4544, 7C0345, 7C4175, 7E3383, 7C9576, 4P9077

7C2238 Nozzle
9Y1785, 7C2239, 4P9076, 7E3382, 7C9577, 7E8836, 7C4174

9Y0051 Nozzle
9Y0052, 7E3384, 7E6408

Notes :

.....

.....

.....

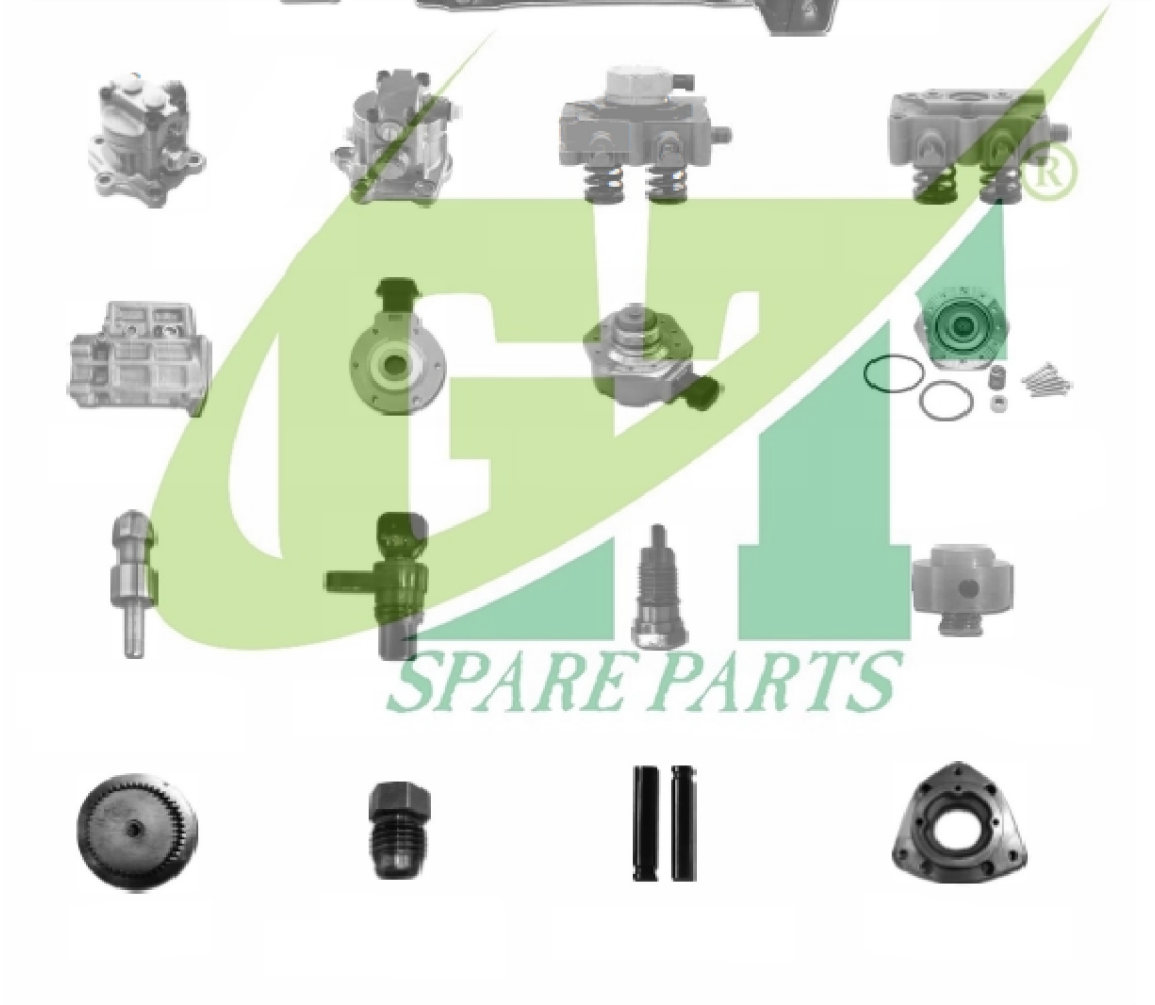
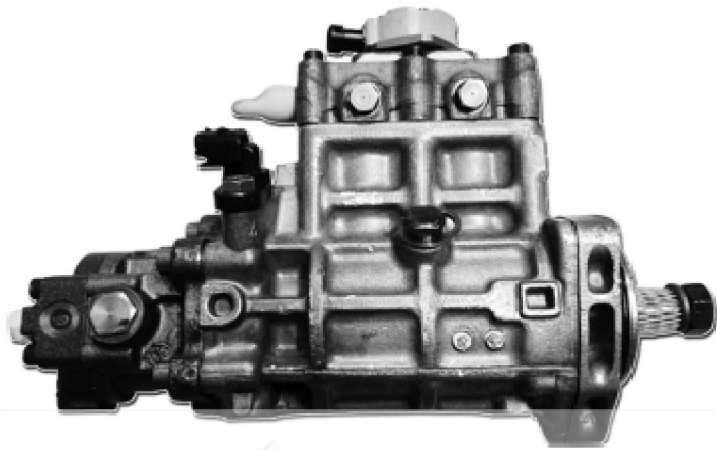
.....

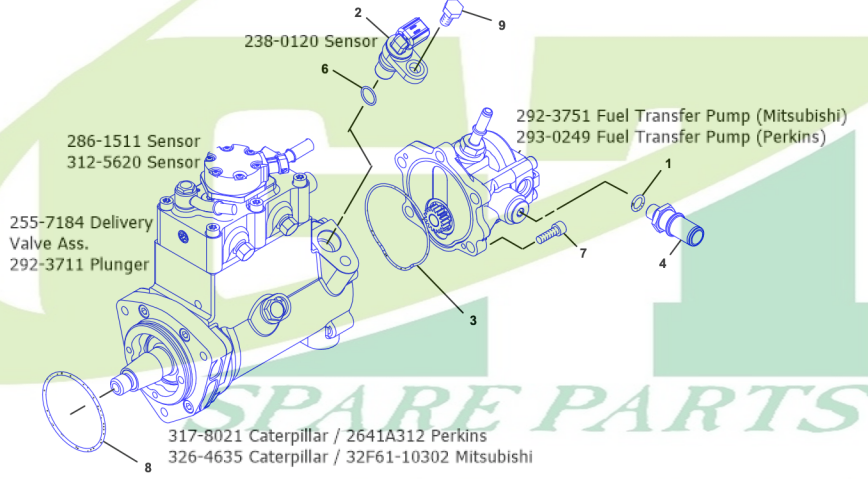
.....

.....

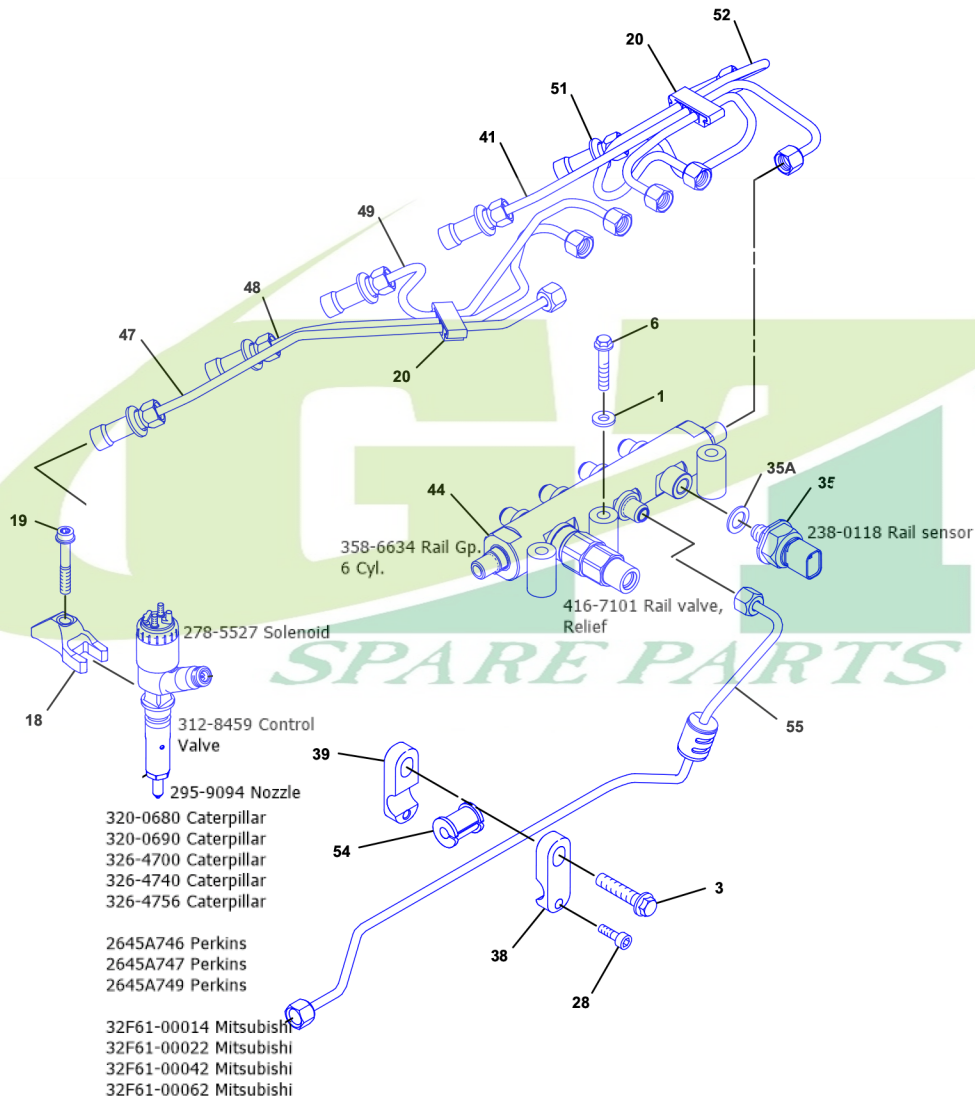
.....

320D PUMP ACCESSORIES

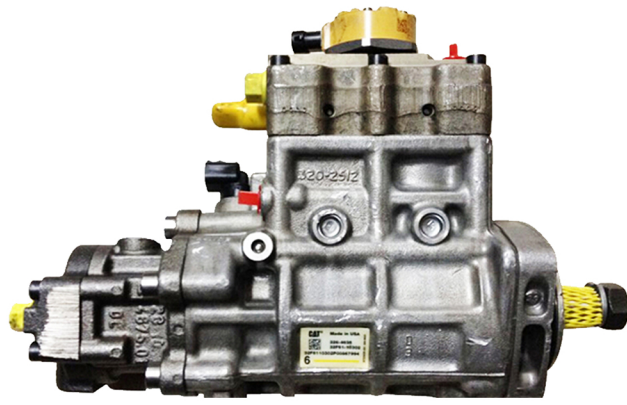




Notes :



Notes :



PUMP GP-FUEL INJECTION

C3.4/C4.4/C6.4/C6.6

326-4634 / 326-4635 / 324-0532 / 317-8021

D6K/12M/120M/963D/M313D/M315D/M317/M318D/M322D/320D/420E/430E/450E/D4K/D6K/TL1055C

Telehandler/TL642C Telehandler



**292-3711
Fuel Pump,Plunger**



**238-0120
Sensor Gp-Speed**



**286-1511 - 312-5620
Fuel Pump,Solenoid**



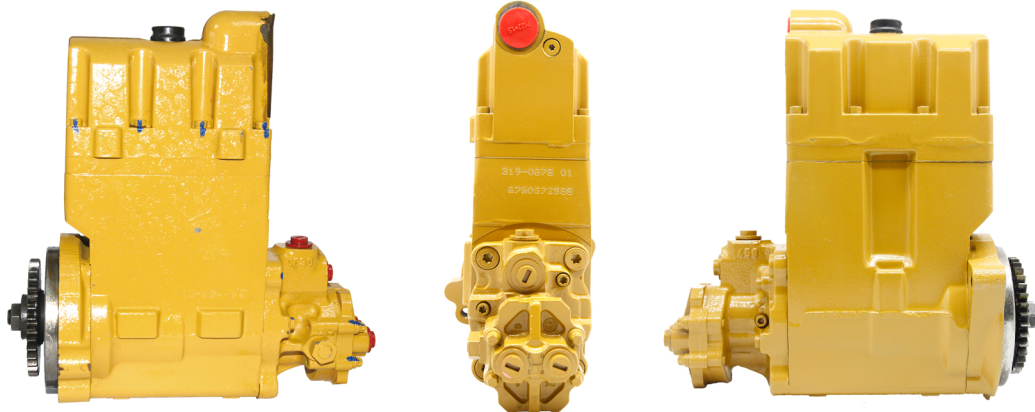
**255-7184
Fuel Pump,Delivery Valve.**



**292-3751 / 293-0249
Fuel Transfer,Pump Gp.**



**317-8648
Fuel Pump,Control Valve**



Pump Gp-Unit Injector Hyd.
319-0676 / 319-0677 / 319-0678
325D/330D/336D/950H/962H/D6R/D6T/C9 Marine



1 214 876
Shaft,Fuel Transfer Pump



304-0641
**Fuel Pump,Camshaft-
 Main**



Fuel Pump,
Camshaft Bearing



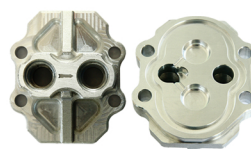
Fuel Pump,
Camshaft Bearing



Fuel Pump,
Shifting Fork



Fuel Pump,
Plunger



326-1006
**Fuel Transfer,Rear
 Cover**



318-8144
**Fuel Pump,Connector
 Cover**



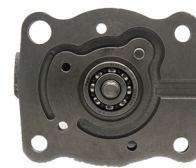
Fuel Pump,
Shock Board



212-9768
**Fuel Pump,Connector
 Piston**



1 214 907
**Fuel Pump,Repair Gasket
 Kit**



326-1006
Fuel Transfer,Pump Gp.



**Fuel Pump,
Shaft,Gear**



**220-6257
Fuel Pump,Valve Relief**



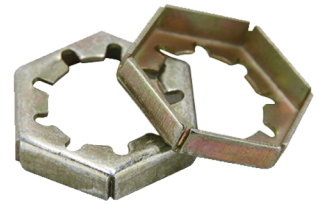
**289-5055
Fuel Pump,Check Valve As.**



**Fuel Pump,
Plunger,Spring**



**Fuel Pump
Plunger Plate 14.00-14.50 MM.**



**Fuel Pump
Hexagon Screw**



**326-1006
Fuel Transfer,Gear As.**



C7 / C9 Injector

387-9426/387-9427/387-9428/387-9429/387-9430/387-9431/387-9432
387-9433/387-9434/387-9437/387-9438/387-9439/387-9440



**380-0577
Spool Valve**



**1 211 629
Spool Valve Shim**



**23250/32
Oil Control As.**



**23955/32
Control Valve**



**13703/32
Spool Vent Plate**



**214-5427
Solenoid**



**C7 / C9
Nozzle**



**219-6446
Nozzle Nut, C7/C9**



Valve Screw,Pin



**297-4841
O-Ring Kit**



**155-2038
Nozzle Pin**



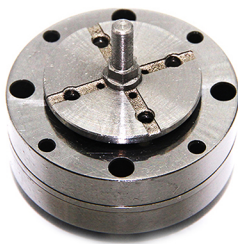
Injector Spring



C9 Injector

236-0962 (235-2888/172-5780/188-9865/217-2570

10R7224/10R7309/20R1931)



**1 209 857
Control Valve**



**171-6378
Spool Valve As.**



**1 209 850
Oil Control Valve As.**



Spacer

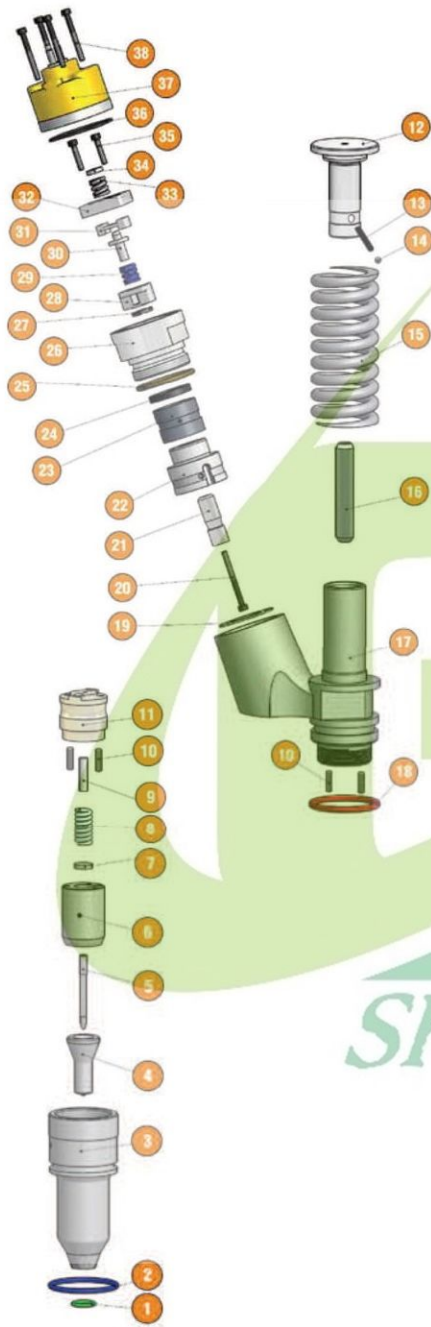


**191-0553
Nozzle**



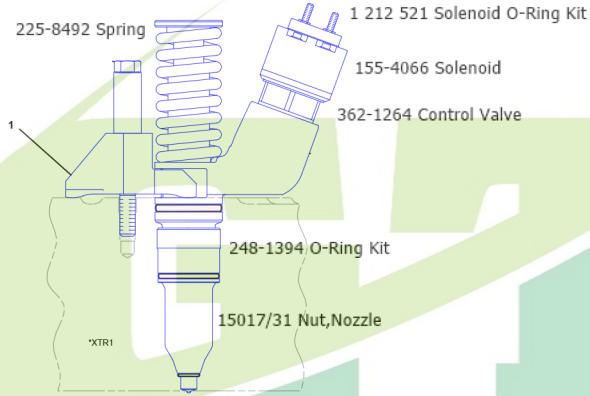
**214-5427
Solenoid**

Caterpillar® 3406E/C-Series Injectors



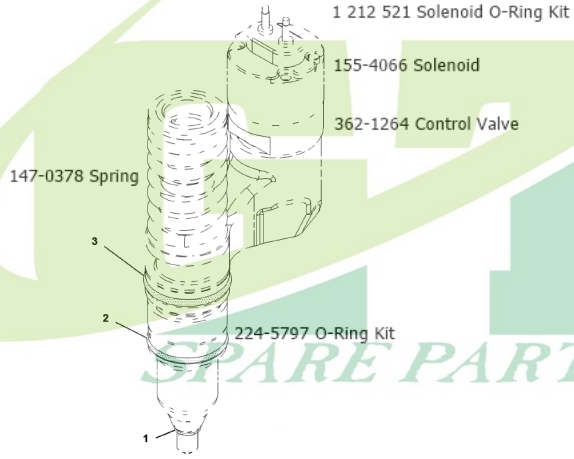
1	O-RING EXTERNAL (GREEN)
2	O-RING EXTERNAL (BLUE)
3	NUT
4	SPRAY TIP
5	NEEDLE
6	CAGE
7	SEAT
8	SPRING
9	STOP
10	DOWEL PIN
11	SPACER
12	FOLLOWER
13	SPRING
14	BALL, STOP
15	SPRING
16	PIN, BODY
17	BODY, INJECTOR
18	O-RING EXTERNAL (RED)
19	CRUSH GASKET
20	M3 x .5 x 35 mm TORX HD
21	VALVE, CONTROL
22	BODY CONTROL VALVE
23	SLEEVE
24	RETAINING SPRING, SLEEVE
25	O-RING INTERNAL (BROWN)
26	HOUSING, VALVE BODY
27	SPACER, VALVE
28	HOUSING, SPRING
29	SPRING, CONTROL VALVE
30	GUIDE, SPRING
31	SPACER, ARMATURE
32	ARMATURE
33	SPRING
34	SPACER, SPRING, SOLENOID
35	M3x.5x16 mm TORX HD SCR
36	STATOR SEAL
37	SOLENOID STATOR
38	M3x.5x30mm TORX HD SCR

2481394	O-RING KIT – SINGLE INJ. 3406E/C15
2303775	Seal O-Ring
2303728	Seal O-Ring
9X7317	Seal O-Ring
2037767	GASKET SET – 3400E
3E6747	Seal O-Ring
9X7681	Seal O-Ring
2481394	O-RING KIT EXTERNAL – 3406E/C15
2303728	Seal O-Ring
2303775	Seal O-Ring
9X7317	Seal O-Ring
15017-31	NUT – NOZZLE
41916-31	NOZZLE – 10R2781/10R8501/10R0957
41918-31	NOZZLE
41925-32	NOZZLE - 10R9001
41926-31	NOZZLE – 10R2780/10R0958
41926-32	NOZZLE – 10R4761
41936-31	NOZZLE – 10R2782/10R0956
41936-32	NOZZLE – 10R1259
41946-31	NOZZLE – 10R0963
41976-31	NOZZLE – 10R1000/10R1273
2245797	GASKET SET – C10 C12
9X7317	Seal O-Ring
1198784	Seal O-Ring
2153198	Seal O-Ring
41946-31	NOZZLE – 10R0963 – C10/C12
41996-32	NOZZLE ASSY – C13 – 10R2977



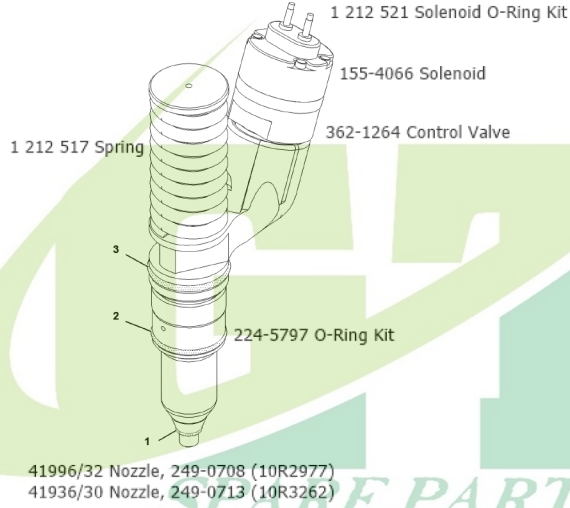
- 41916/31 Nozzle, 211-3023 (10R2781)
- 41926/31 Nozzle, 211-3024 (10R2780)
- 41936/31 Nozzle, 211-3022 (10R2782)
- 41976/31 Nozzle, 229-5919 / 249-0709 (10R1000 - 10R1273)
- 41946/32 Nozzle, 253-0616 (10R3265)
- 41986/32 Nozzle, 374-0751 (20R2285)
- 41966/32 Nozzle, 253-0615 / 374-0750 (20R2284)
- 44926/31 Nozzle, 211-3025 (10R0955)
- 44916/31 Nozzle, 253-0618 (10R2772)

Notes :

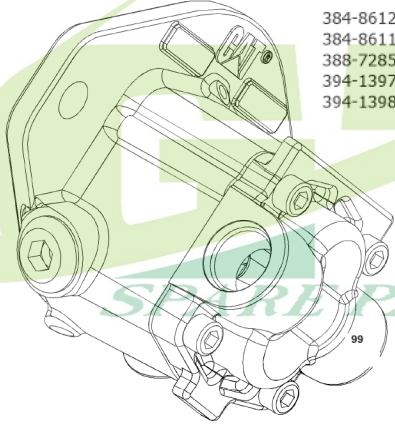


41946/31 Nozzle, 212-3463 (10R0963)
41936/32 Nozzle, 212-3467 (10R1259)

Notes :



Notes :

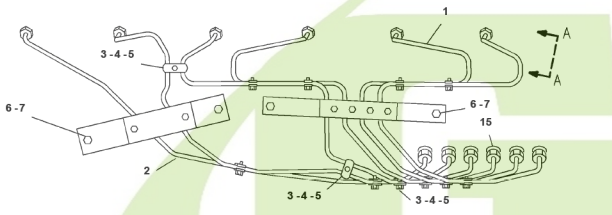
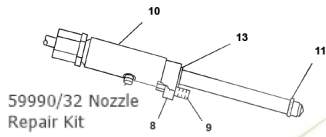


- 384-8612 Fuel supply pump
- 384-8611 Fuel supply pump
- 388-7285 Fuel supply pump
- 394-1397 Fuel supply pump
- 394-1398 Fuel supply pump



SPARE PARTS

Notes :

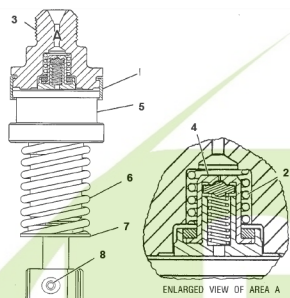


TOP VIEW

- 1W5829 Nozzle
- 4W1819 Nozzle
- 4W8483 Nozzle
- 7E3969 Nozzle
- 7N0449 Nozzle
- 7W3710 Nozzle
- 9L6969 Nozzle
- 9N2366 Nozzle
- 9N3299 Nozzle

- 100-7556 Nozzle assy
- 100-7558 Nozzle assy
- 100-7559 Nozzle assy
- 100-7562 Nozzle assy
- 104-3377 Nozzle assy
- 129-1351 Nozzle assy
- 130-1804 Nozzle assy
- 130-1806 Nozzle assy
- 130-5187 Nozzle assy
- 130-5190 Nozzle assy
- 131-3190 Nozzle assy
- 167-7489 Nozzle assy
- 170-5181 Nozzle assy
- 170-5183 Nozzle assy
- 170-5187 Nozzle assy
- 4W7015 Nozzle assy
- 4W7016 Nozzle assy
- 4W7017 Nozzle assy
- 4W7018 Nozzle assy
- 4W7019 Nozzle assy
- 4W7020 Nozzle assy
- 4W7021 Nozzle assy
- 4W7022 Nozzle assy
- 7W7026 Nozzle assy
- 7W7030 Nozzle assy
- 7W7031 Nozzle assy
- 7W7032 Nozzle assy
- 7W7037 Nozzle assy
- 7W7040 Nozzle assy
- 7W7041 Nozzle assy
- 7W7042 Nozzle assy
- 7W7043 Nozzle assy
- 8N7003 Nozzle assy
- 8N7005 Nozzle assy
- 356638 Capsule nozzle
- 5H7936 Capsule nozzle
- 6B0914 Capsule nozzle
- 6B0927 Capsule nozzle
- 6H3364 Capsule nozzle
- 7M4601 Capsule nozzle
- 7M7431 Capsule nozzle
- 7N9843 Capsule nozzle
- 8M1584 Capsule nozzle
- 8N1831 Capsule nozzle
- 8N3173 Capsule nozzle
- 8N3175 Capsule nozzle
- 8N3176 Capsule nozzle
- 8N3177 Capsule nozzle
- 8N4694 Capsule nozzle
- 8N4697 Capsule nozzle
- 8N5986 Capsule nozzle
- 8N8796 Capsule nozzle
- 9F2393 Capsule nozzle
- 9F4113 Capsule nozzle
- 9L6884 Capsule nozzle
- 9N3246 Capsule nozzle
- 9N6173 Capsule nozzle
- 8N5986 Capsule nozzle
- 8N3173 Capsule nozzle
- 7M4601 Capsule nozzle
- 4N1251 Capsule nozzle
- 8N4697 Capsule nozzle
- 7N5005-7S1059-1P1098 Capsule nozzle
- 5H5836 Capsule nozzle
- 7M4190 Capsule nozzle
- 2S9828 Capsule nozzle
- 7S8722 Capsule nozzle
- 5M4086 Capsule nozzle
- 2S4442 Capsule nozzle
- 7S9891-8N4694 Capsule nozzle
- 5F2805 Capsule nozzle
- 9L6884 Capsule nozzle
- 7S5105 Capsule nozzle

Notes :



- 105-2508 Primer pump assembly
- 108-2102 Bonnet
- 1P2298 Valve assembly
- 1W1695 Fuel transfer pump
- 1W1700 Fuel transfer pump
- 1W5910 Tappet assy.
- 1W5912 Tappet assy.
- 1W9171 Bonnet
- 4N0209 Bonnet
- 4N0406 Idler gear
- 4N0429 Drive gear
- 4N1132 Transfer pump housing for 3208
- 4N1767 Valve
- 4N2484 Bonnet
- 4N2685 Roller
- 4N2954 Sleeve
- 5H7225 Nut
- 6I1327 Bonnet
- 6N6794 Lifter
- 7M4603 Body
- 7W8039 Bonnet
- 8N1317 Lifter
- 8N1417 Bonnet
- 8N2516 Bonnet
- 8S2389 Body
- 8S3653 Bonnet
- 9H2256 Primer pump assembly
- 9L6863 Transfer pump housing
- 9L6893 Bonnet

- 108-6630 Fuel inj. pump group
- 108-6633 Fuel inj. pump group
- 108-6634 Fuel inj. pump group
- 133-8984 Fuel inj. pump assy
- 1P3409 Pump assembly
- 1W6539 Fuel inj. Pump group
- 2S7264 Pump assembly
- 3S1467 Pump assembly
- 4N8898 Fuel inj. pump assy
- 4P9827 Fuel inj. pump group
- 6N1042 Fuel inj. pump group
- 6N1043 Fuel inj. pump group
- 6N7829 Fuel inj. pump group
- 7C8927 Fuel inj. pump assy
- 7N1185 Fuel inj. pump group
- 7N1219 Fuel inj. pump group
- 7N5301 Fuel inj. pump assy
- 7W0561 Fuel inj. pump group
- 7W5928 Fuel inj. pump group
- 8M2667 Pump assembly
- 8M3138 Pump assembly
- 8M3280 Pump assembly
- 8M9753 Pump assembly
- 8M9755 Pump assembly
- 8M9758 Pump assembly
- 8N4997 Fuel inj. pump assy
- 9N5857 Fuel inj. pump assy
- 9Y0510 Fuel inj. pump assy
- 9Y9246 Fuel inj. pump assy

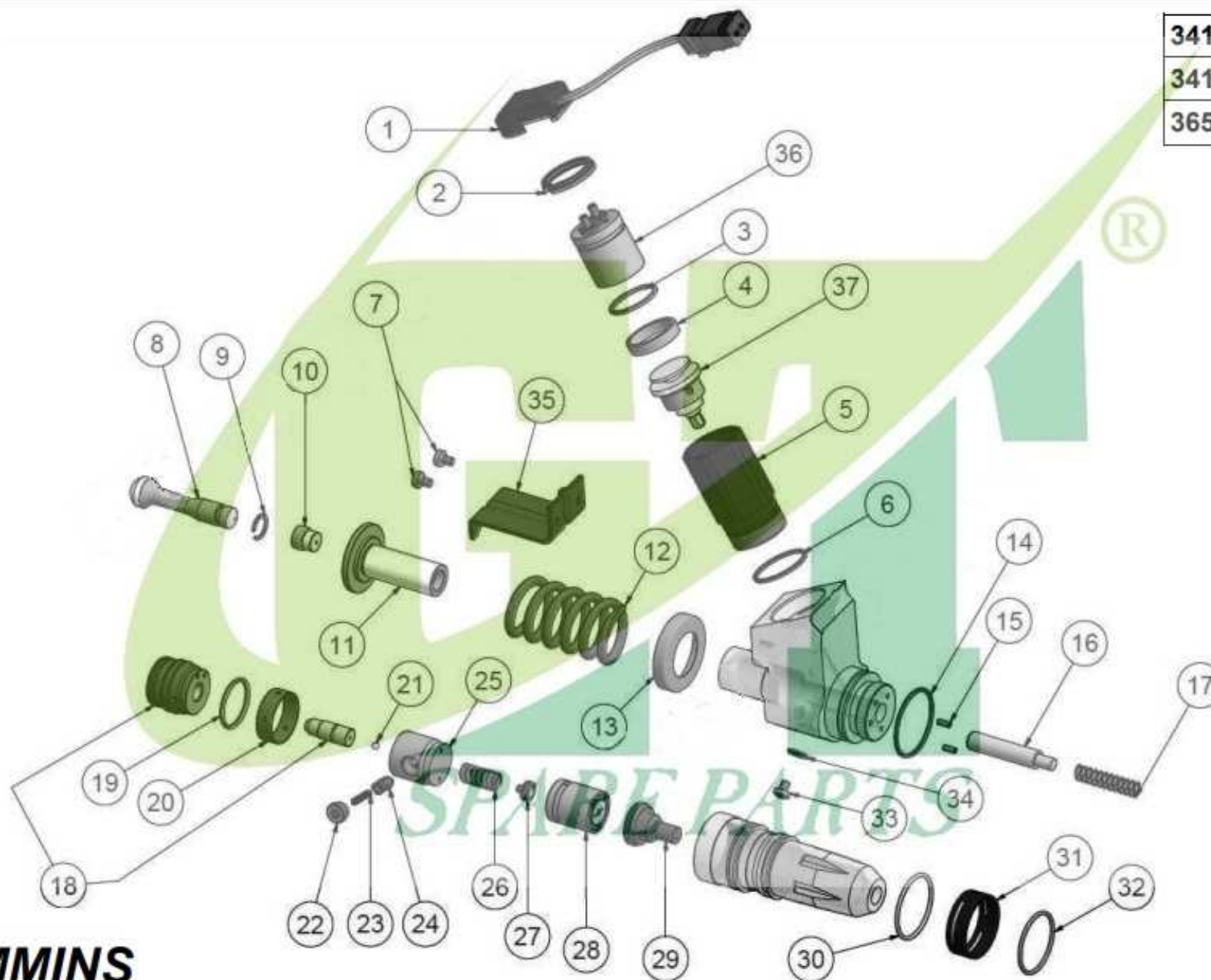
- 3E3339 Gasket kit for 3116
- 5P8329 Gasket kit for 3406
- 5P9419 Gasket kit for 3304
- 5P9461 Gasket kit for 3300
- 6N1133 Gasket kit for 3304-3306
- 6V1167 Gasket kit for 3412-3412C
- 6V2414 Gasket kit for 3306
- 6V2901 Gasket kit for 3304-3306
- 6V2909 Gasket kit for 3208
- 6V2914 Gasket kit for 3306
- 6V4707 Gasket kit for 3306
- 6V4780 Gasket kit for 950B
- 6V4788 Gasket kit for 3306
- 6V5920 Gasket kit for 3408
- 6V8042 Gasket kit for 3306-3306B
- 6V9725 Gasket kit for 3406B
- 6V9894 Gasket kit for 3406B
- 6V9897 Gasket kit for 3508-3512-3516
- 6V9908 Gasket kit for 3306
- 8C5790 Gasket kit for 3306-3306B
- 8T1653 Gasket kit for 3306B
- 8T2500 Gasket kit for 3408
- 8T7539 Gasket kit for 3306
- 8T7562 Gasket kit for 3306
- 8T9081 Gasket kit for 3406
- 8T9484 Gasket kit for 3304

Notes :

3411760PX

3411767PX

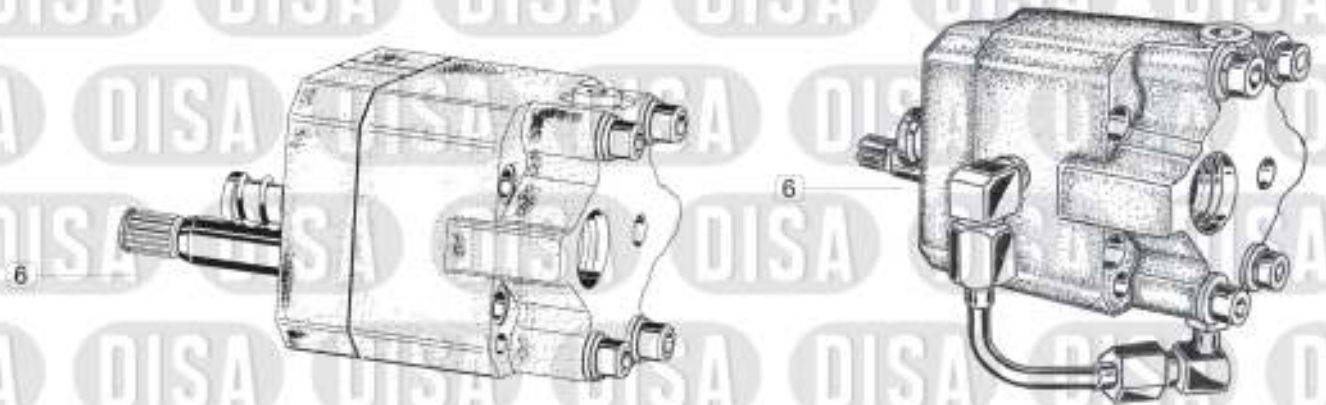
3652542PX

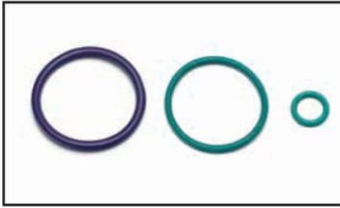


CUMMINS

CUMMINS INJECTORS - CELECT SERIES

ITEM NO.	PART NO.	DESCRIPTION
1	54204/30	Seat, valve spring - thickness = .1145
	3067426	Seat, valve spring - thickness = .1185
	54206/30	Seat, valve spring - thickness = .1235
2	3066736	Cage, injector valve spring
3	3066733	Tip assembly, marked 3076071 for injector 3652542
	3079964	Tip assembly, marked 3079963 for injector 3652540
	3087790	Tip assembly, marked 3087791 for injector 3411763
	3084591	Tip assembly, marked 3084592 for injector 3411752
	3088176	Tip assembly, marked 3088175 for injector 3411764
	3095042	Tip assembly, marked 3095043 for injector 3411753
	3095728	Tip assembly, marked 3095729 for injector 3411754
	3095733	Tip assembly, marked 3095734 for injector 3411755
	3409977	Tip assembly, marked 3409978 for injector 3411762
	3411387	Tip assembly, marked 3411388 for injector 3411767
	3411403	Tip assembly, marked 3411404 for injector 3411758
	3411689	Tip assembly, marked 3411690 for injector 3411765
	3411693	Tip assembly, marked 3411694 for injector 3411766
	3609851	Tip assembly, marked 3609852 for injector 3411761
	3609854	Tip assembly, marked 3609855 for injector 3411760
	3609860	Tip assembly, marked 3609861 for injector 3411759
	3609924	Tip assembly, marked 3609925 for injector 3411756
4026224	Tip assembly, marked 4026225 for injector 4026222	
4061853	Tip assembly, marked 4061854 for injector 4061851	
4902922	Tip assembly, marked 4902924 for injector 4902921	
4902928	Tip assembly, marked 4902928 for injector 4902925	
4903322	Tip assembly, marked 4903322 for injector 4903319	
4903475	Tip assembly, marked 4903475 for injector 4903472	
4928174	Tip assembly, marked 4928174 for injector 4928171	
4	3411711	Metering p&b assy (male configuration)
	3072450	Metering p&b assy (female configuration)
5	3034407	Fuel control valve
6	4954880	Fuel supply pump
	4010324	Fuel supply pump - <i>superseded by 4954880</i>
	4010253	Fuel supply pump - <i>superseded by 4954880</i>

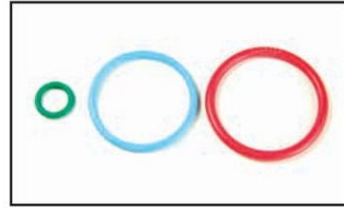




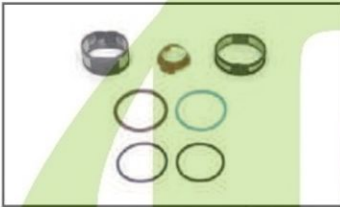
M-2245797 O-Ring Kit (CAT C10, C12)



M-2291490 Injector Sleeve Kit (CAT)



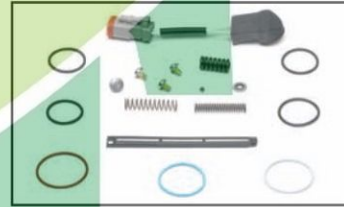
M-2481394 O-Ring Kit Fuel Injector External (CAT)



MCBQSKINJ Kit



MCB26129 CELECT® Injector Repair Kit



MCB3060001 CELECT® Injector Repair Kit

SPARE PARTS



M-3803477 CELECT® Seal Kit (Front Drive Shaft)



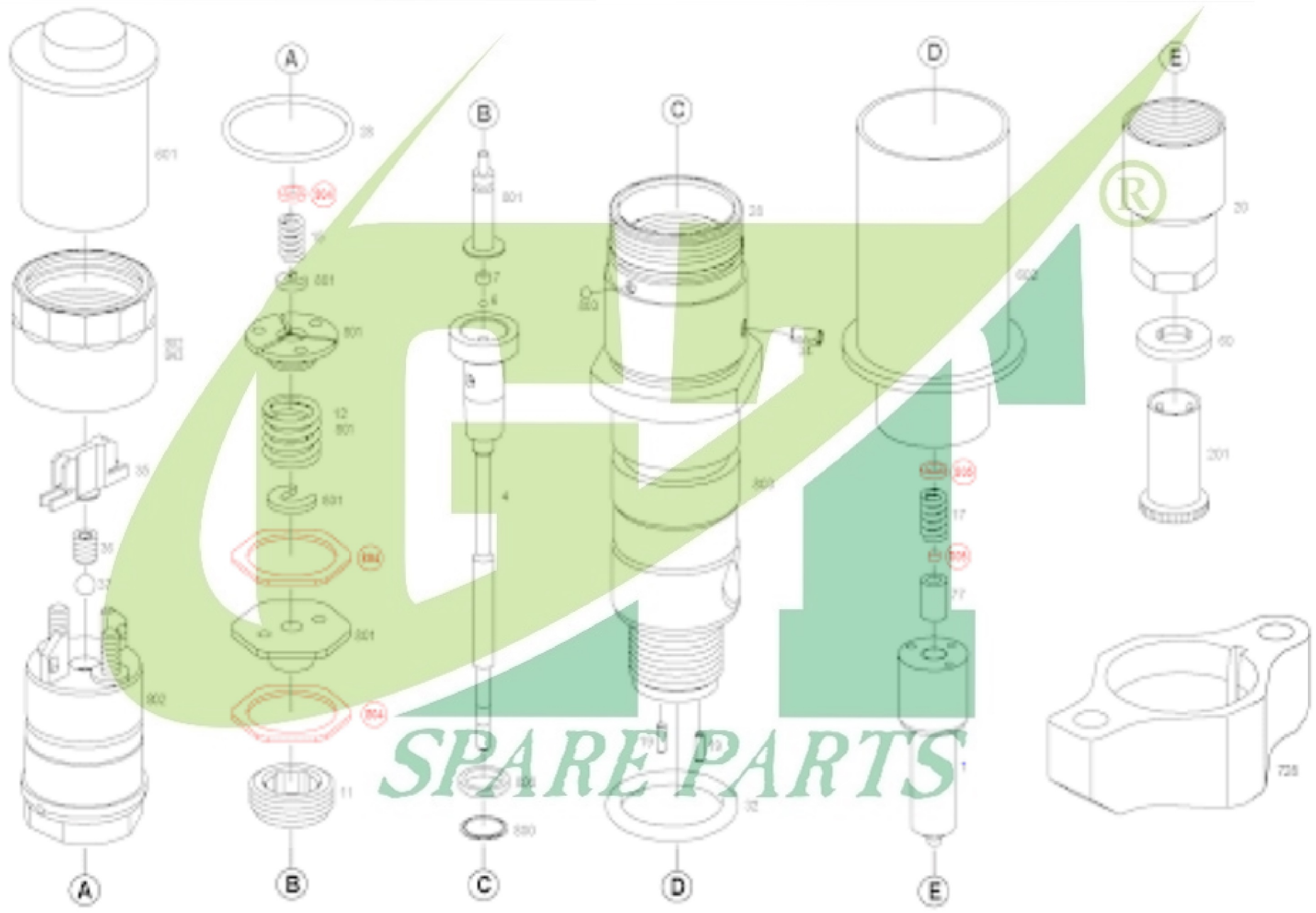
M-3803478 CELECT® Fuel Pump Overhaul Seal Kit



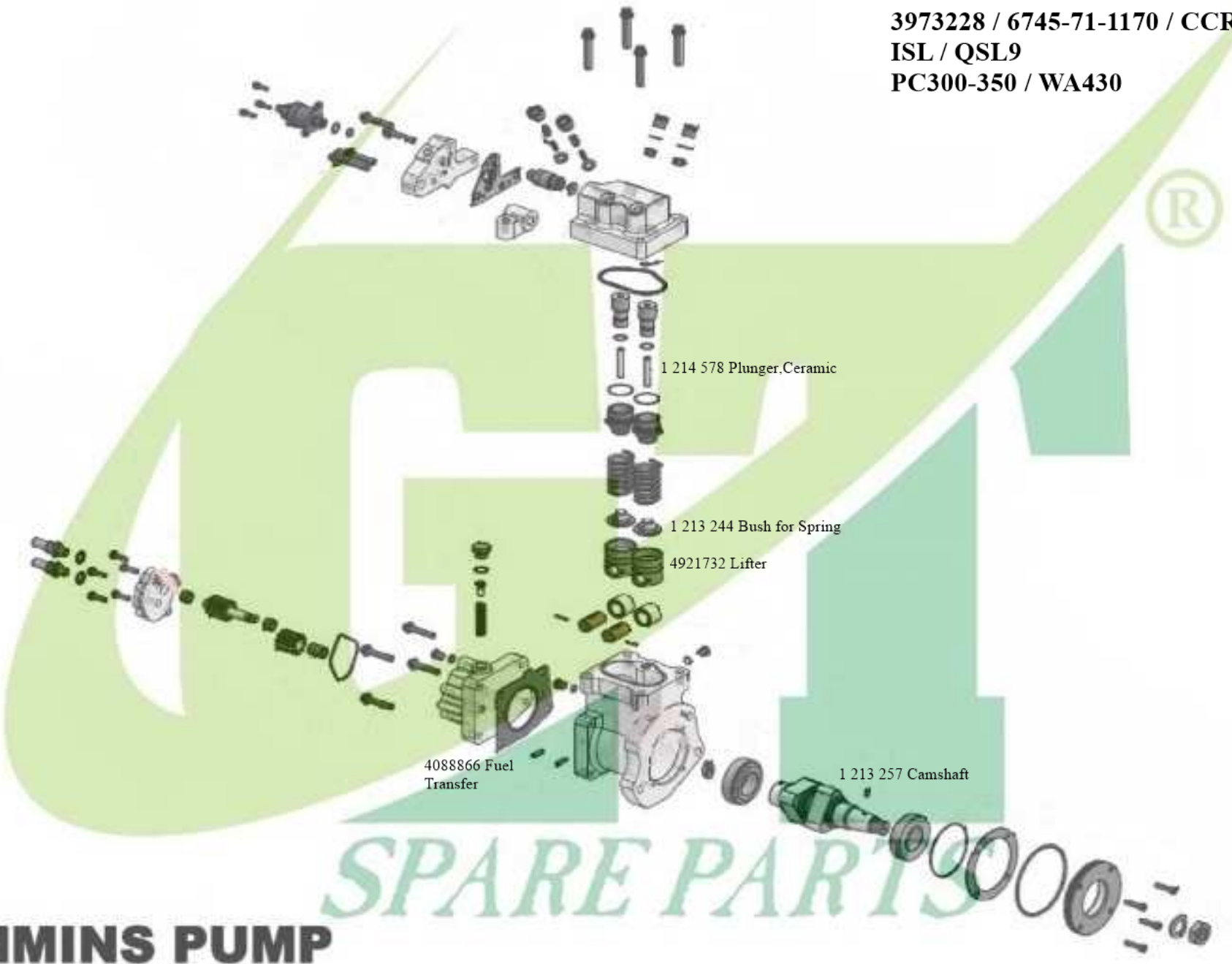
M-3190677RK - Fuel Pump Repair Kit



M-3178021RK Fuel Pump Repair Kit



3973228 / 6745-71-1170 / CCR1600
ISL / QSL9
PC300-350 / WA430



1 214 578 Plunger.Ceramic

1 213 244 Bush for Spring

4921732 Lifter

4088866 Fuel Transfer

1 213 257 Camshaft

CUMMINS PUMP

SPARE PARTS

DENSO Fuel Pump
PC100-160/PC300-400

Güveniş Yedek Parça Makina İth.İhr.Tic.Ltd.Şti.
İkitelli O.S.B. Dolapdere Sanayi Sitesi 19 Ada No:6
Başakşehir / İstanbul
Tel: +90.212.525.66.72 Fax: +90.212.534.81.67
mkoca@guvenis.org
can@guvenis.org

