



***SPARE PARTS FOR  
COMMON RAIL SYSTEM***

---

PRODUCTS CATALOGUE 2021 . 1



Web: [www.gtparts.com.tr](http://www.gtparts.com.tr)

E-mail: [info@gtparts.com.tr](mailto:info@gtparts.com.tr)






































***CAT  
INJECTOR***



# CATERPILLAR C7 HEUI



-  27
-  26
-  24
-  23
-  21
-  22
-  28
-  19
-  20
-  17
-  18
-  16
-  15
-  14
-  29
-  13
-  12
-  11

-  10
-  9
-  30
-  9
-  8
-  7
-  32
-  6
-  5
-  4
-  3
-  2
-  1
-  31
-  25
-  33





# C-9 INJECTOR



C-9 CONTROL VALVE



C-9 SPOOL VALVE  
(OIL PRESSURE BOOST  
VALVE)



C-9 MIDDLE PLATE  
(DIESEL CONTROL VALVE)



INTERMEDIATE PLATE ASSEMBLY  
17 13.5 (DIESEL VALVE C-9)



C-9 SPACER



C-9  
DOMESTIC NOZZLE



C-9 NOZZLE TIGHT  
CAP



C-9 INJECTOR SCREW  
M3X35



C-9 PLUNGER AND  
EVEN PARTS



C-9 NOZZLE TEST PLUG



C-9 SPOOL VALVE SPRING



C-9 MIDDLE PLATE  
(DIESEL CONTROL VALVE)  
SPRING

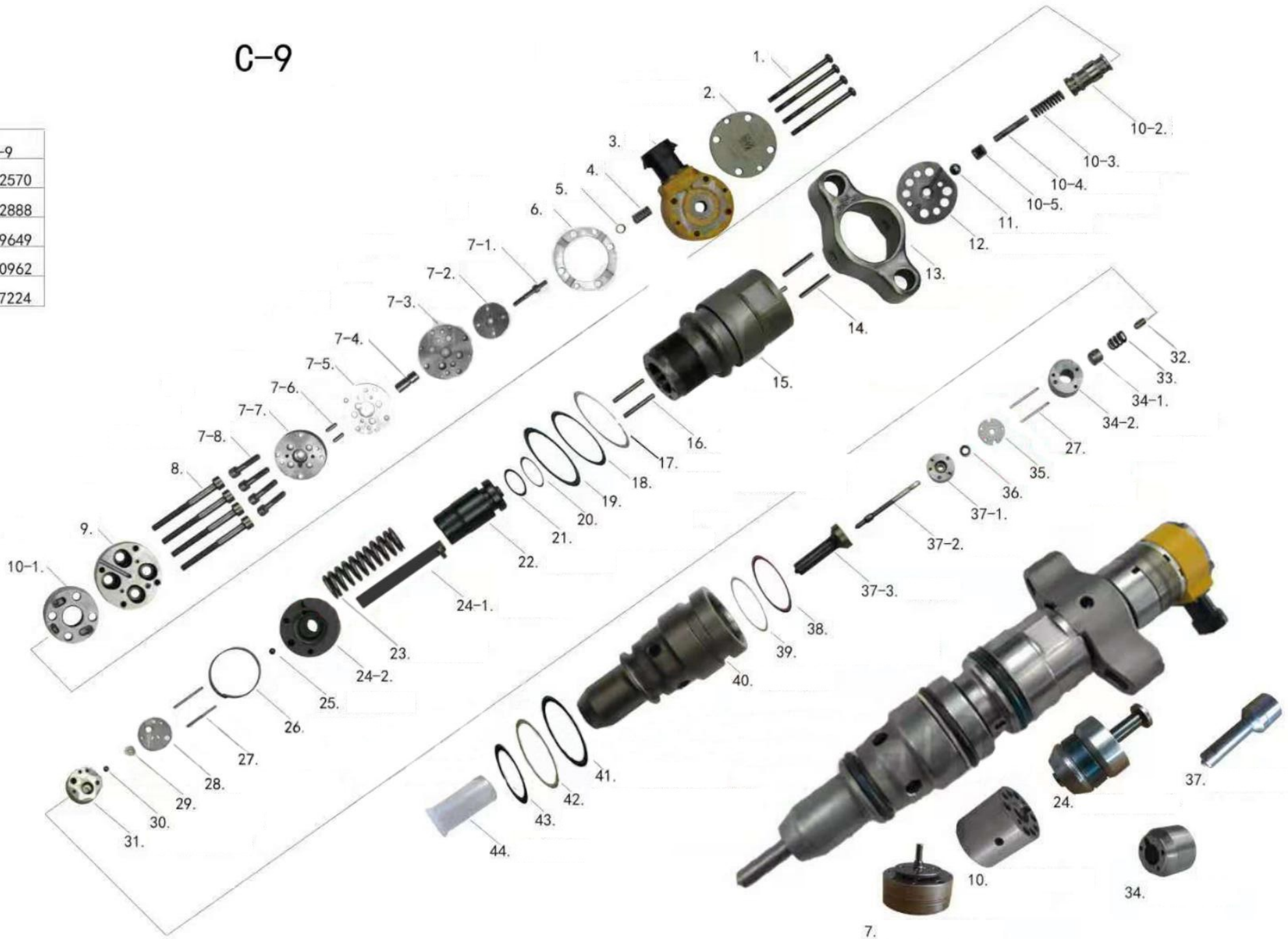


 <p>IAP ISO 9001 ISO 14001</p> <p><b>GT</b> SPARE PARTS</p>	 <p>IAP ISO 9001 ISO 14001</p> <p><b>GT</b> SPARE PARTS</p>	 <p>IAP ISO 9001 ISO 14001</p> <p><b>GT</b> SPARE PARTS</p>	 <p>IAP ISO 9001 ISO 14001</p> <p><b>GT</b> SPARE PARTS</p>
<p>C-9 INJECTOR BODY GASKET (C29)</p>	<p>C-9 THROTTLE PLUNGER (DOUBLE GROOVE)</p>	<p>C-9 VALVE PLATE</p>	<p>C-9 PISTON ASSEMBLY (WITH SPRING)</p>
 <p>IAP ISO 9001 ISO 14001</p> <p><b>GT</b> SPARE PARTS</p>	 <p>IAP ISO 9001 ISO 14001</p> <p><b>GT</b> SPARE PARTS</p>	 <p>IAP ISO 9001 ISO 14001</p> <p><b>GT</b> SPARE PARTS</p>	 <p>IAP ISO 9001 ISO 14001</p> <p><b>GT</b> SPARE PARTS</p>
<p>C-9 INJECTOR BODY</p>	<p>C-9 SPACER BLOCK</p>	<p>C-9 INJECTOR OVERHAUL KIT (WITH SCREW, 1.6 PIN, PROTECTIVE CAP)</p>	<p>C-9 INJECTOR REPAIR KIT</p>



# C-9

C-9
217-2570
235-2888
235-9649
236-0962
10R-7224





387-9427 INJECTOR



328-2574 INJECTOR



236-0962 INJECTOR



32F61-00062  
INJECTOR



32F61-00062  
Renewed INJECTOR



326-4756 INJECTOR



174-7526 (198-6877)  
INJECTOR



3126B INJECTOR



1780199 INJECTOR





C12 294-3002 (WITH SOLENOID VALVE) INJECTOR



392-0211 INJECTOR



2123462 INJECTOR



127-8222 INJECTOR



21947797 INJECTOR



INJECTOR ASSEMBLY C15 359-4080



387-9433 INJECTOR



2645A747 INJECTOR



398-1507 INJECTOR



## 320D INJECTOR



CAT320D ADJUSTING GASKET



CAT320DBATTERY VALVE (DOMESTIC BRAND NEW) CAT320D



320D CONTROL VALVE  
32F61-00062



320D NOZZLE



THREADED PROTECTIVE CAP



CAT320DW INJECTOR REPAIR KIT

## 320D INJECTOR (brand new domestically made)



OVERHAUL KIT 326-4700



CAT320DBATTERY VALVE (DOMESTIC BRAND NEW) CAT320D





# 3126B INJECTOR



SOLENOID VALVE  
128-6601



3126B  
INJECTOR REPAIR KIT



3126B PLUNGER AND  
EVEN PART 218-4109



3126B PLUNGER AND  
EVEN PART \_ARF0006



3126B NOZZLE



3126B DISASSEMBLY TOOL



SOLENOID VALVE  
CLEARANCE PAD



CONTROL  
VALVE LIFT PAD



NOZZLE  
PRESSURE PAD



FUEL NOZZLE TEST  
BLOCKED 3126B



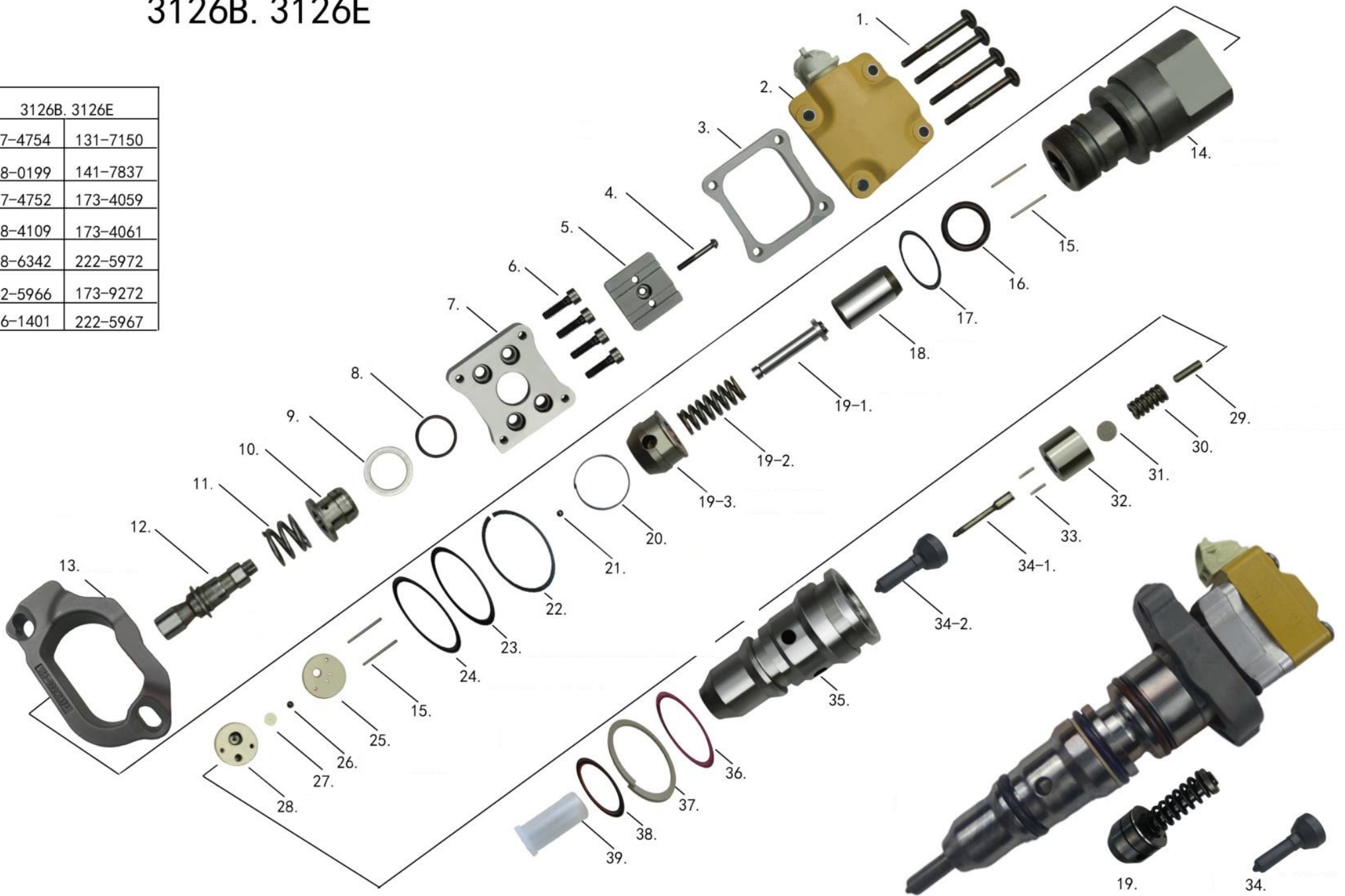
PISTON 218-4109(3126B)



REPAIR KIT (OUTSOURCING)  
1208766

# 3126B. 3126E

3126B. 3126E	
177-4754	131-7150
178-0199	141-7837
177-4752	173-4059
218-4109	173-4061
178-6342	222-5972
222-5966	173-9272
196-1401	222-5967









## C12 INJECTOR PARTS



C13 C15 C18  
INJECTOR REPAIR KIT (5  
SEALS) C13 C15 C18



C13 REPAIR KIT



C15 SOLENOID VALVE



C15 SOLENOID VALVE  
ASSEMBLY



C13 COMMON RAIL  
NOZZLE



C15 COMMON RAIL  
NOZZLE



C15 COMMON RAIL  
NOZZLE



CAT01 CONTROL VALVE



OIL NOZZLE TIGHT  
CAP C10 C12



C15 FUEL  
INJECTOR SOLENOID VALVE  
STEEL GASKET (CAT 3176 C33)



C12 NOZZLE TEST  
BLOCKED



OIL NOZZLE TIGHT CAP  
C11 C13 C15





C12 C13 C15  
INJECTOR SPRING



INJECTOR PLUNGER CORE  
C15 C18



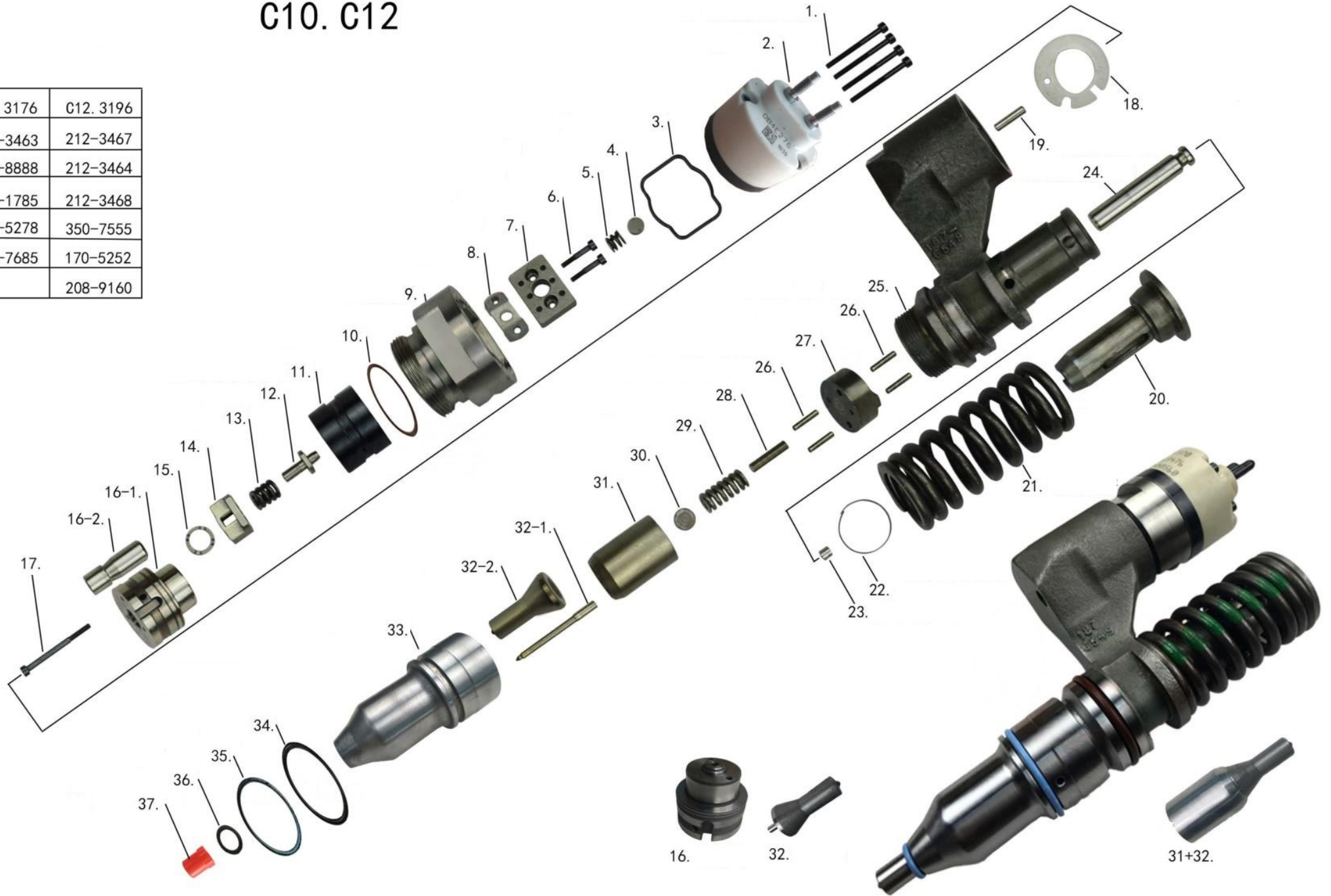
PLUNGER NO. 20A C32  
(20 A)



NOZZLE PRESSURE  
GASKET C13  
(2.00-2.54 0.02mm grade 10 each)

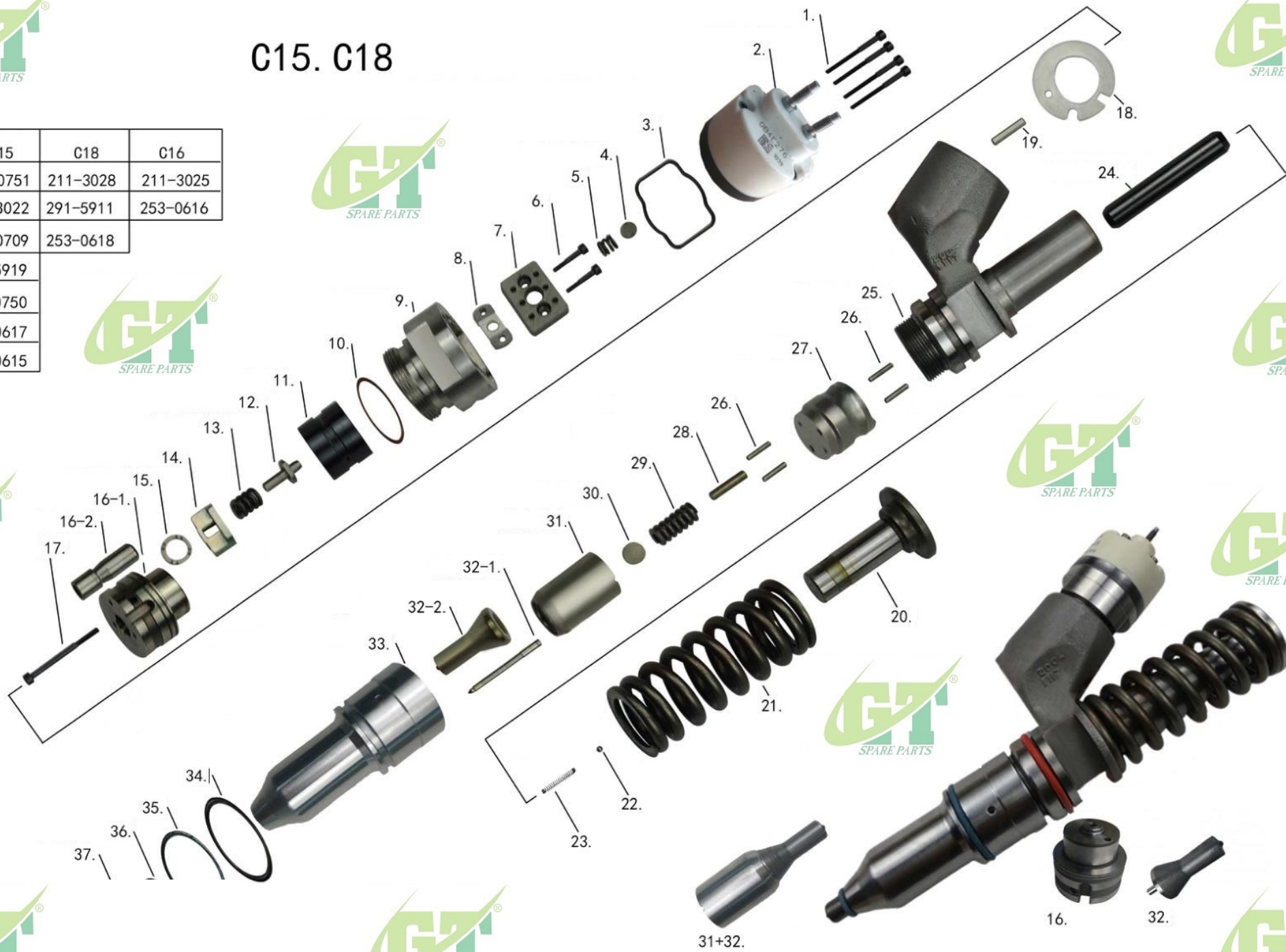
# C10. C12

C10. 3176	C12. 3196
212-3463	212-3467
116-8888	212-3464
161-1785	212-3468
317-5278	350-7555
203-7685	170-5252
	208-9160



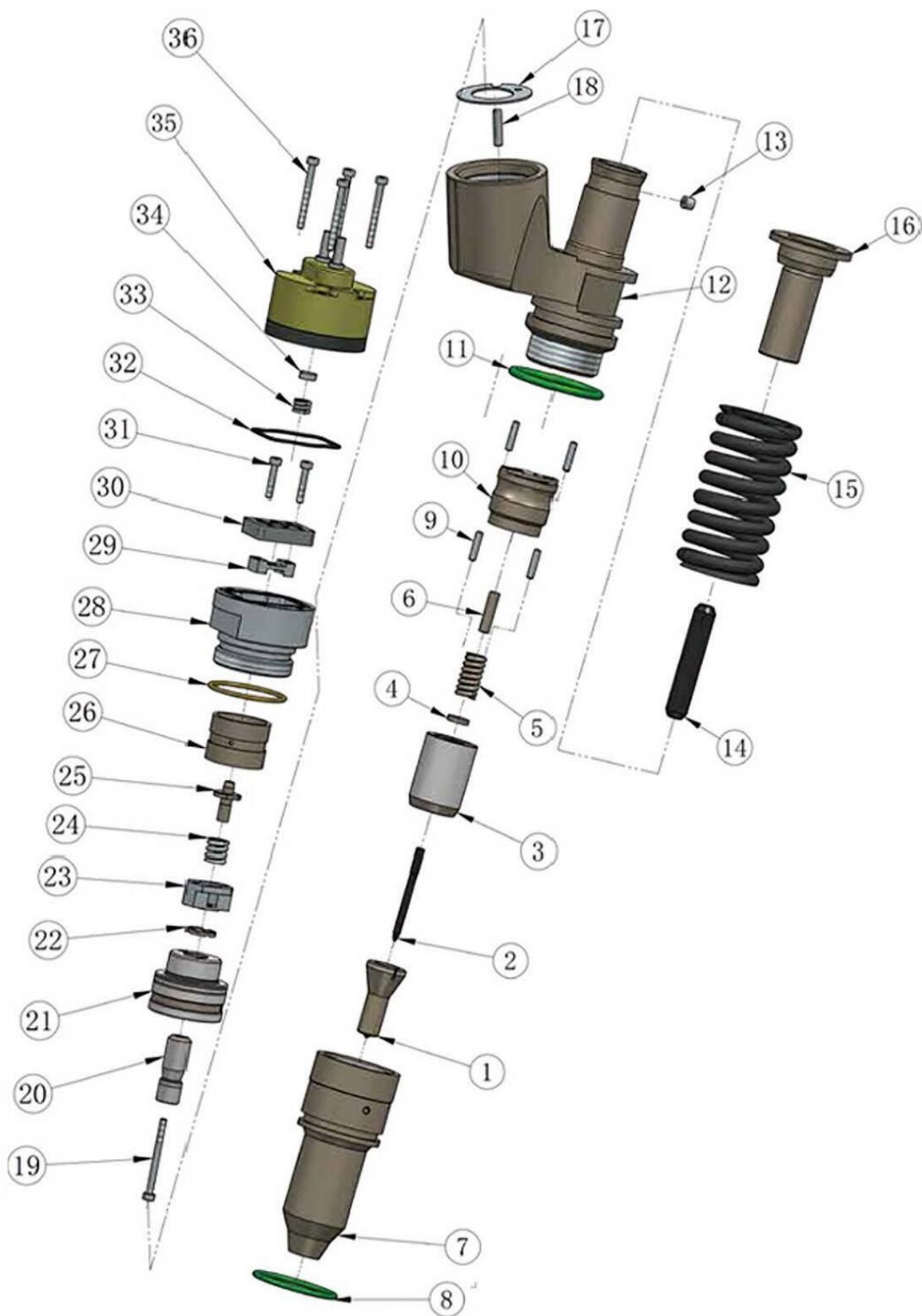
# C15. C18

C15	C18	C16
374-0751	211-3028	211-3025
211-3022	291-5911	253-0616
249-0709	253-0618	
229-5919		
374-0750		
253-0617		
253-0615		





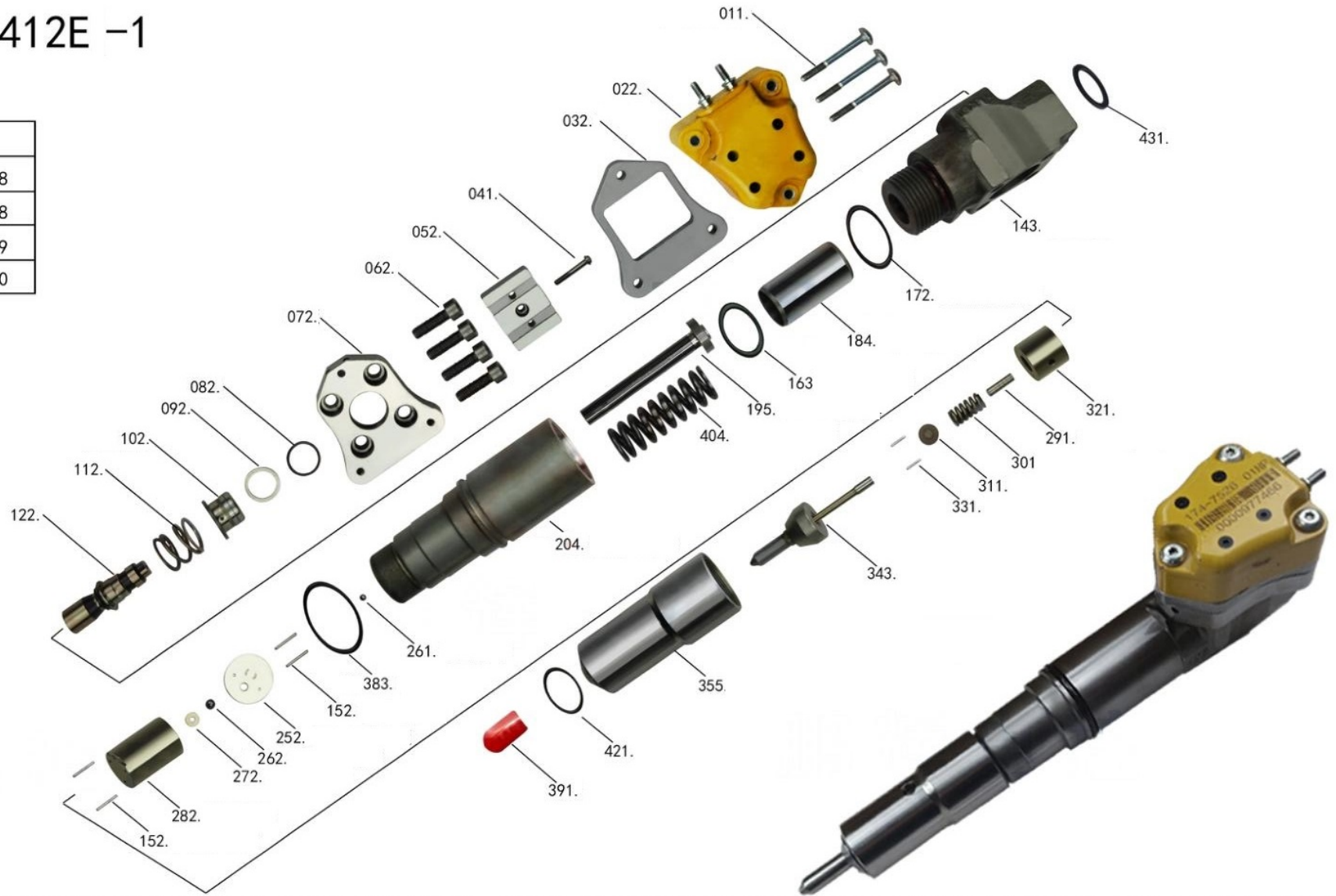
# C13



# C3412E -1

(6406)

C3412E	
174-7526	20R-4148
174-7528	20R-0758
153-5938	20R-0759
179-6020	20R-0760



122+143=803  
803.



195+204+404=814  
814.



252+262+272+282=842  
842.



321+291+301+311+331\*2+343=823  
823. 3412.



431+383+421+391=835  
835.



431+172+163+383+011\*3+041+082+152\*4+331\*2+421+391=836  
836.



3126 OVERHAUL PACKAGE



3126 EXTERNAL REPAIR KIT



3512A OVERHAUL PACKAGE



3512A EXTERNAL REPAIR KIT



3512B OVERHAUL PACKAGE



3512B EXTERNAL REPAIR KIT



0414693006 007 REPAIR KIT



0414799005 REPAIR KIT



0414799008 REPAIR KIT



A3 REPAIR KIT



C7C9 OVERHAUL PACKAGE



C7C9 EXTERNAL REPAIR KIT



C-9 OVERHAUL PACKAGE



C-9 EXTERNAL REPAIR KIT



C10 C12 OVERHAUL PACKAGE



C10 C12 EXTERNAL REPAIR KIT





C13 OVERHAUL PACKAGE



C13 EXTERNAL REPAIR KIT



C15 EXTERNAL REPAIR KIT



C15 OVERHAUL PACKAGE



C16 OVERHAUL PACKAGE



C16 EXTERNAL REPAIR KIT



C18 OVERHAUL PACKAGE



C18 EXTERNAL REPAIR KIT



M11 OVERHAUL KIT (WITHOUT WIRES)



M11 OVERHAUL KIT AUXILIARY FACTORY WIRE



M11 OVERHAUL PACKAGE IS FACTORY WIRE



M11 SMALL REPAIR KIT



MTU OVERHAUL PACKAGE



MTU OUTSOURCING PACKAGE



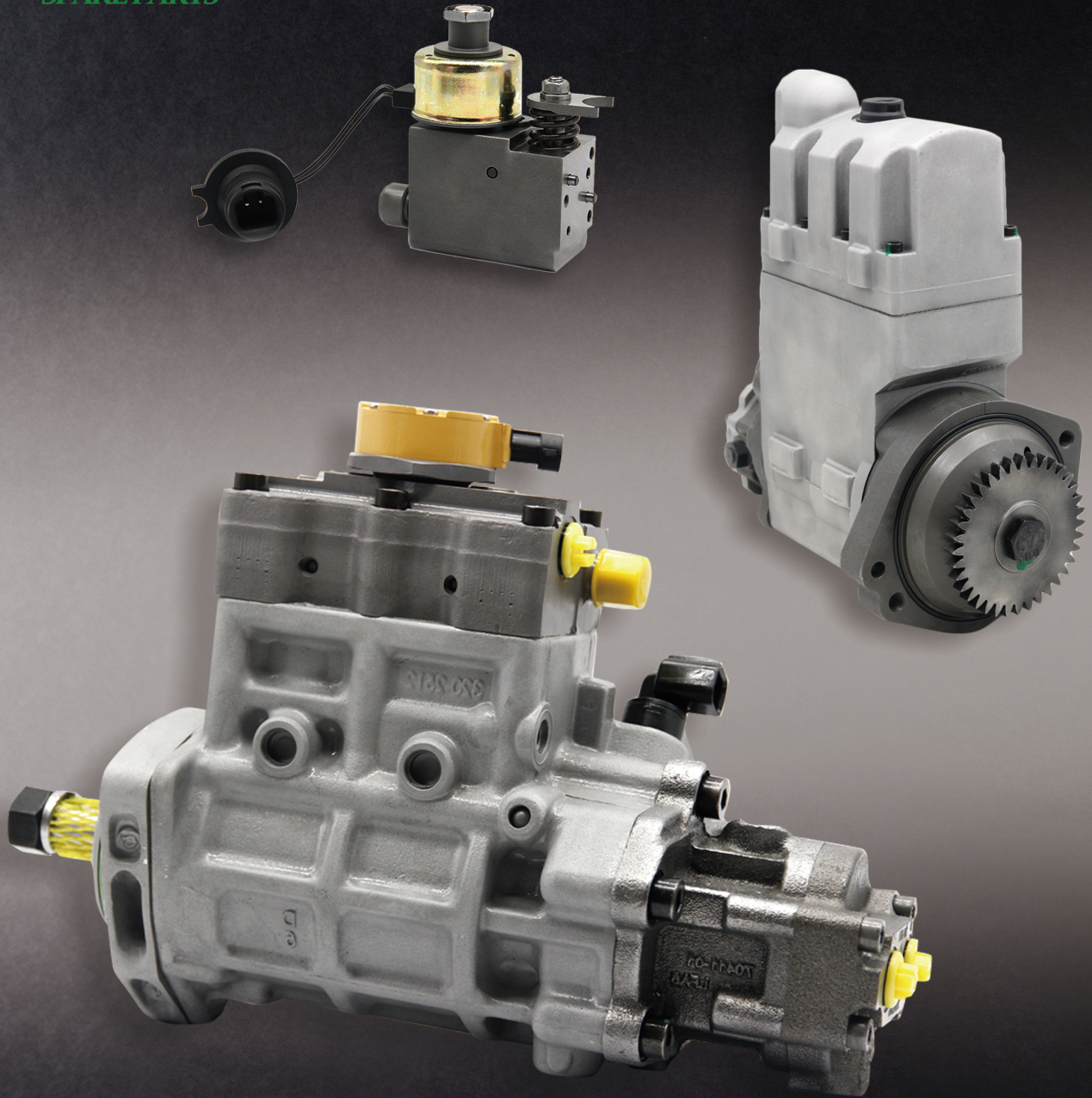
N14 OVERHAUL KIT (WITHOUT WIRES)



N14 OVERHAUL KIT AUXILIARY FACTORY WIRE

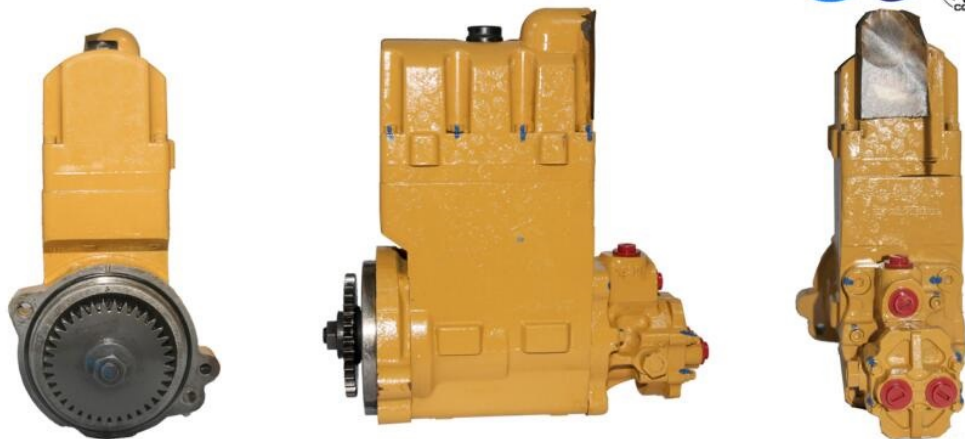
			
<p>N14 OVERHAUL PACKAGE IS FACTORY WIRE</p>	<p>N14 MINOR REPAIR KIT</p>	<p>PT REPAIR KIT</p>	<p>QSK19 OVERHAUL PACKAGE</p>
			
<p>QSK23.60 OVERHAUL PACKAGE</p>	<p>X15 OVERHAUL PACKAGE</p>	<p>C9.3 INJECTOR REPAIR KIT</p>	<p>DETROIT EXTERNAL REPAIR PACKAGE</p>
			
<p>FUKANG D13 OVERHAUL PACKAGE</p>	<p>STANIA D12 OVERHAUL KIT</p>	<p>STANIA OVERHAUL KIT</p>	<p>STANIA EXTERNAL REPAIR KIT</p>
			
<p>VOLVO E1 OVERHAUL KIT</p>	<p>VOLVO E1 EXTERNAL REPAIR KIT</p>	<p>VOLVO E3 OVERHAUL KIT</p>	<p>VOLVO E3 REPAIR KIT</p>





***CAT PUMP***





## C7C9 PUMP



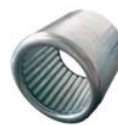
C7 OIL PUMP SPINDLE



C7 PUMP MAIN SPINDLE



C7/C9 BIG BEARING



C7/C9 SMALL BEARING



SHIFTING FORK FOR C7/C9 PUMP



C7/C9 PUMP PLUNGER



C7 PUMP SOLENOID VALVE (ACTUATOR)



C7 SOLENOID



C7 Shock board



C7 POPPET VALVE



C7/C9 PUMP OVERHAUL KIT



C7 ACTUATING PUMP SMALL REPAIR KIT

 <p>GT SPARE PARTS</p>	 <p>GT SPARE PARTS</p>	 <p>GT SPARE PARTS</p>	 <p>GT SPARE PARTS</p>
<p>PLUNGER (C7 PUMP) 14.5mm</p>	<p>PRESSURE RELIEF VALVE FOR C7 PUMP</p>	<p>( M10 ) NON-RETURN VALVE FOR C7 PUMP</p>	<p>C7/C10 HEXAGON SCREW</p>
 <p>GT SPARE PARTS</p>	 <p>GT SPARE PARTS</p>	 <p>GT SPARE PARTS</p>	 <p>GT SPARE PARTS</p>
<p>C7 PUMP PLUNGER SPRING</p>	<p>7 HOLES PLATE</p>	<p>C7 ACTUATING PUMP RETURN SPRING (ACTUATOR SPRING)</p>	<p>C7 PUMP PALLET 319-0678</p>
 <p>GT SPARE PARTS</p>	 <p>GT SPARE PARTS</p>	 <p>GT SPARE PARTS</p>	 <p>GT SPARE PARTS</p>
<p>C7 PUMP SHAFT OIL SEAL 163-7900</p>	<p>C7/C9 FULE DELIVERY PUMP</p>	<p>C7 SMALL GEAR</p>	<p>C7 OIL PUMP GEAR ASSEMBLY</p>
 <p>GT SPARE PARTS</p>	 <p>GT SPARE PARTS</p>	 <p>GT SPARE PARTS</p>	 <p>GT SPARE PARTS</p>
<p>THROTTLE PLUNGER</p>	<p>C7 FUEL PUMP GEAR (36 TEETH)</p>	<p>C7/C9 PUMP REAR COVER</p>	<p>C7 PUMP REPAIR BOLT M8X130</p>



GÜVENİŞ YEDEK PARÇA MAKİNA İTH.İHR.LTD.ŞTİ.

## C7C9 actuated pump spindle

Picture	Type NO.	Company Number	Engine number
	C7	CABOC7678114-021214	
	NEW TYPE D2	CABOC9000114-02-PED2	
	M12-14	CABOC9000114-01-1214	
	M14-16	CABOC9000114-01-1416	

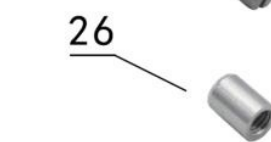
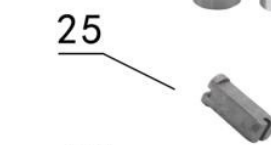
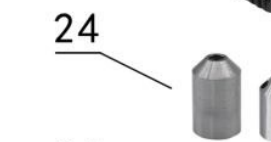
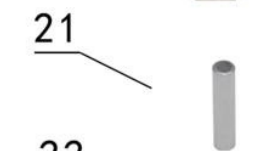
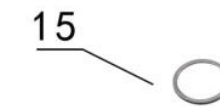
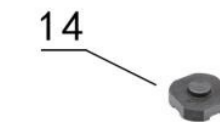
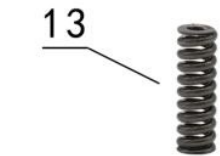
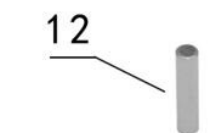
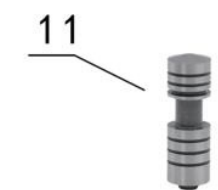
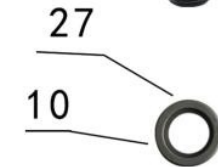
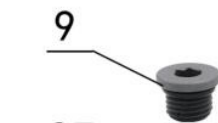
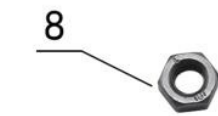
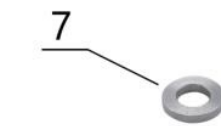
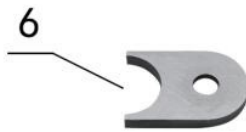
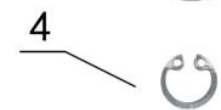
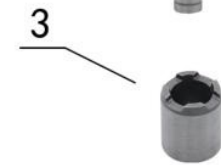


## C7 actuation pump assembly





# C7 ACTUATOR



# 320D PUMP ACCESSORIES



Oil pump



320D PUMP HEAD (WITH SOLENOID VALVE)



320D PUMP HEAD



Pump body



Solenoid valve



Valve gp-solenoid



CAT320D PUMP SOLENOID VALVE ASSEMBLY (WITHOUT VALVE)



Pump head high pressure valve



Sensor 238-0120



Locating screw



Sv01 check valve



gear



High pressure valve plug



GS0410 plunger



End cover

# 320D PUMP ACCESSORIES



screw



Calabash mat



Camshaft nut



Shim



screw



Shim



Seal ring



Seal ring



screw



Camshaft



Roller body



screw



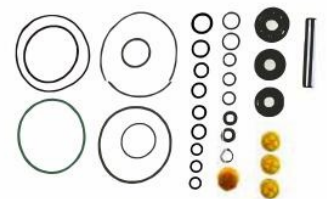
Spring



320d pump combination copper pad



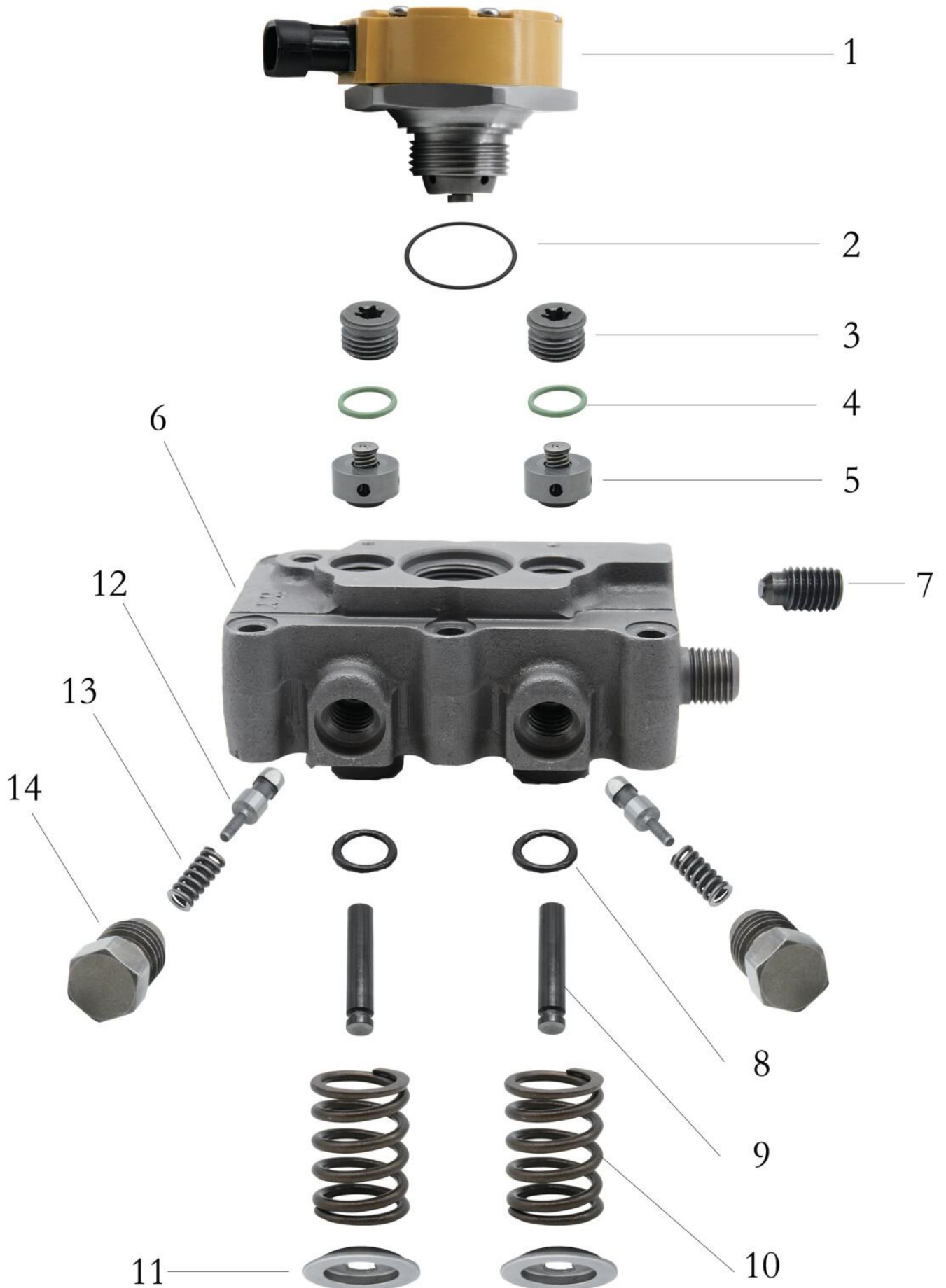
320d diesel pump flange



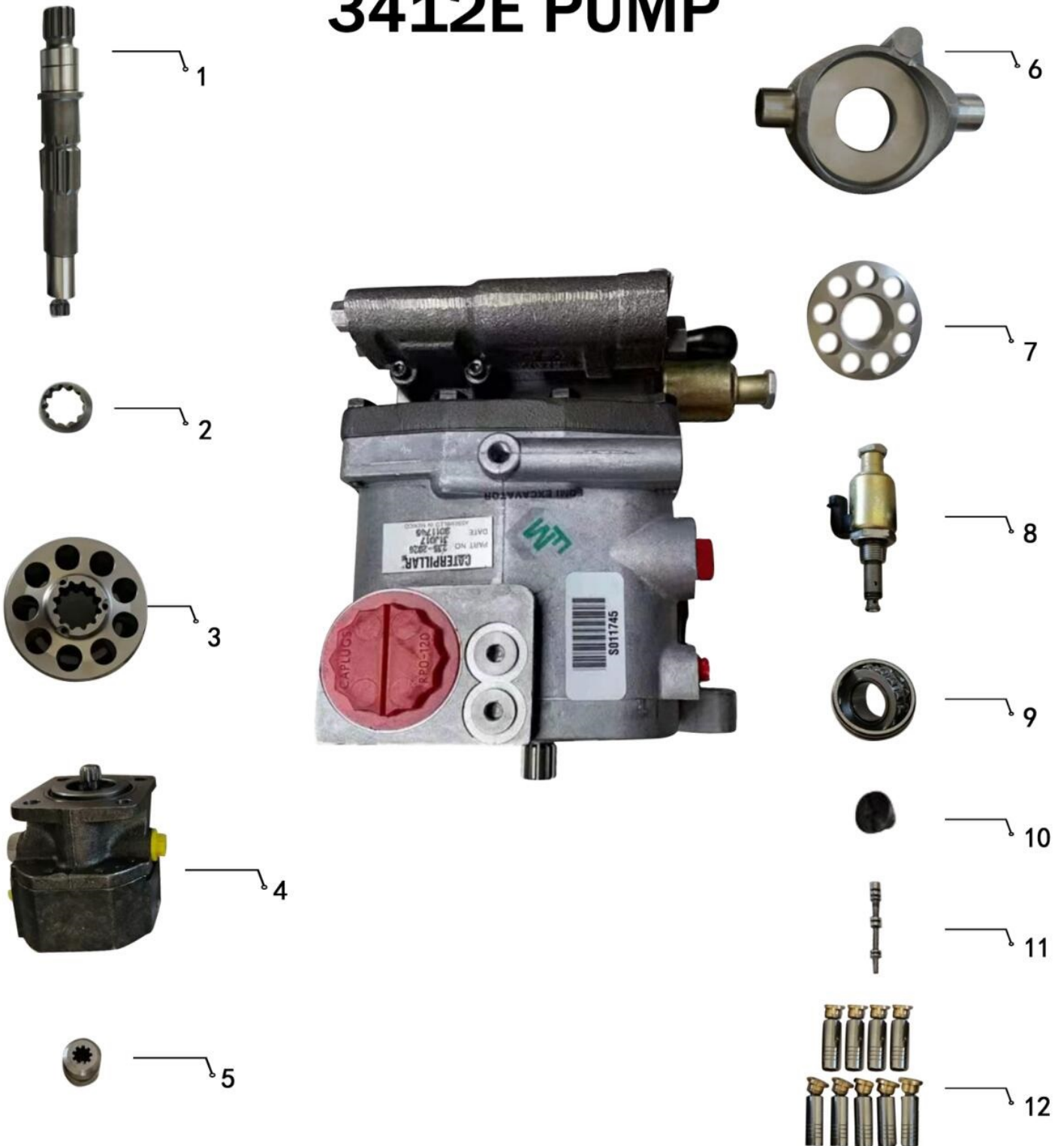
320d pump repair kit



# 320D FUEL PUMP HEAD



# SUIT FOR CATERPILLAR 3412E PUMP





# SUIT FOR CATERPILLAR

## 3126B PUMP



1



2



3



4



5



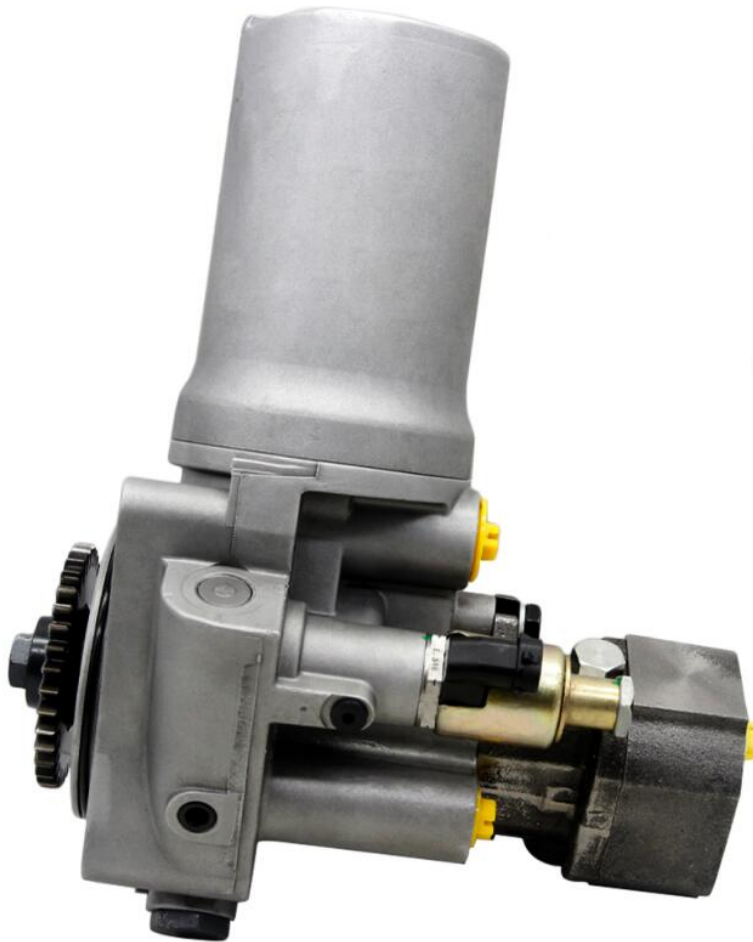
6



7



8



9



10



11



12



13



14







# CUMMINS INJECTOR SERIES



0445120007/212/273 2830957

0 445 120 032

0 445 120 059 5263262 SAA6D107E-1

0 445 120 070/241 IFL26/ZIRIS10S

0 445 120 103

0445 120 112

0445 120 114

0 445 120 120

0 445 120 121 4940640 ISLE\_EU3

0 445 120 122 4942359ISLE

0 445 120 123 4937065

0 445 120125/236 4940170

0 445 120 133

0 445 120 134 5283275

0 445 120 140 4945316

0 445 110 376 CRI2-16

0 445 110 594 CRI2-16

0 445 110 668 CRI2-16

0 445 110 675 CRI2-16

0 445 110 808 CRI1-16

0 445 110 828 CRI2-16

0 445 120 161 4988835

0 445 120 187

0 445 120 193

0 445 120 199 4994541

0 445 120 204 4988835

0 445 120 212 5263307

0 445 120 231 5263262

0 445 120 236 5263308

0 445 120 238 5263316

0 445 120 239 5263312

0 445 120 241

0 445 120 255

0 445 120 267

0 445 120 273

0 445 120 289 5268408

0 445 120 304 5272937

0 445 120 305

0 445 120 377 5307809

0 445 120 383 5317323

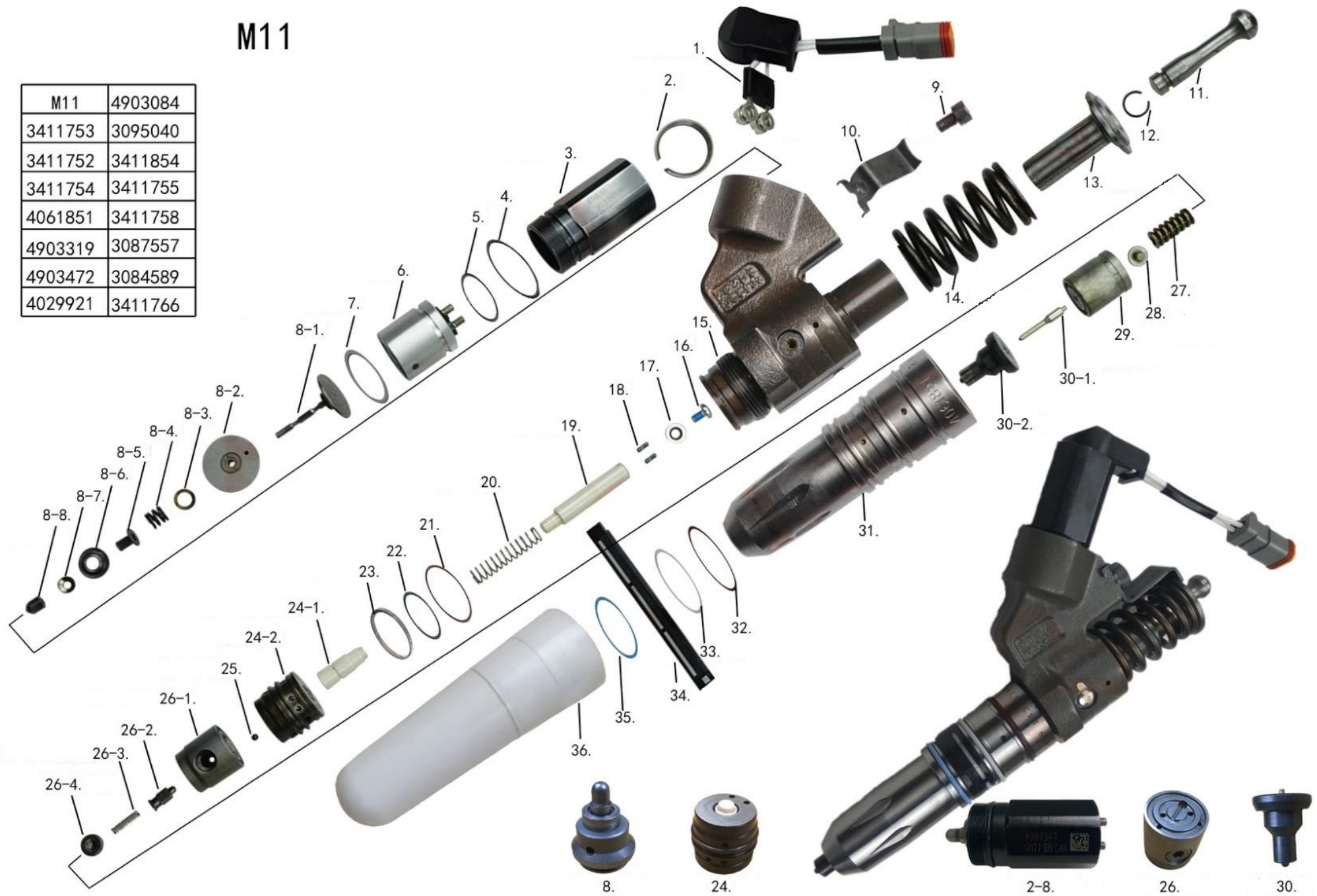
0 445 120060/250

E-mail: [info@gtparts.com.tr](mailto:info@gtparts.com.tr) Tel: +90 212 525 66 72



# M11

M11	4903084
3411753	3095040
3411752	3411854
3411754	3411755
4061851	3411758
4903319	3087557
4903472	3084589
4029921	3411766





# M11 CUMMINS INJECTOR



M11 EJECTOR



M11 oil volume valve disassembled from the factory



M11 CONTROL VALVE ARMATURE ASSEMBLY



M11 INJECTOR TIMING PLUNGER SPRING



M11 INJECTOR NOZZLE SPRING



M11 OUTER RUBBER RING



M11 OVERHAUL PACKAGE



Cummins QSK60 REPAIR KIT





Cummins M11-N14  
REPAIR KIT



M11 CONTROL  
VALVE



SOLENOID VALVE  
ASSEMBLY 4307547



M11 PRESSURE RELIEF  
VALVE



Xikang M11-N14 pump  
nozzle repair kit



5406060EF (P546184  
6FSW)  
REPAIR KIT (CUMMINS NOZZLE KIT)  
5406060EF (P5461846FSW)



M11 INJECTOR  
NOZZLES TIGHT CAP



CUMMINS CERAMIC  
PLUNGER



M11 INJECTOR FILTER



(M11 SOLENOID VALVE  
ARMATURE LIFT  
ADJUSTMENT GASKET



M11 SOLENOID VALVE  
(M11 N14)



M11 SOLENOID VALVE  
3080429



ELECTRONIC FLOW  
ACTUATOR



CUMMINS SEAT 4984803



CUMMINS FUEL INJECTOR  
ASSEMBLY TOOL KTA19



CUMMINS SHAFT 3095356



COMMON RAIL  
NOZZLE -4928264 (X15)



COMMON  
RAIL NOZZLE  
3411756 (3609925)



COMMON RAIL NOZZLE  
4903472 (4903475)



Oil nipple assembly  
4061854 (M11 N14 L10)

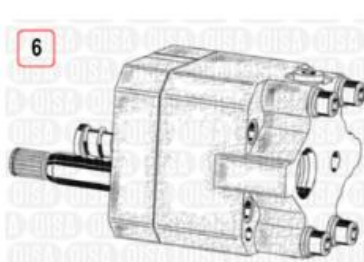


NOZZLE (SECONDARY  
FACTORY) 4307525



CUMMINS INJECTOR  
CAP (OIL CUP) 3609964

# CUMMINS INJECTORS - CELECT SERIES

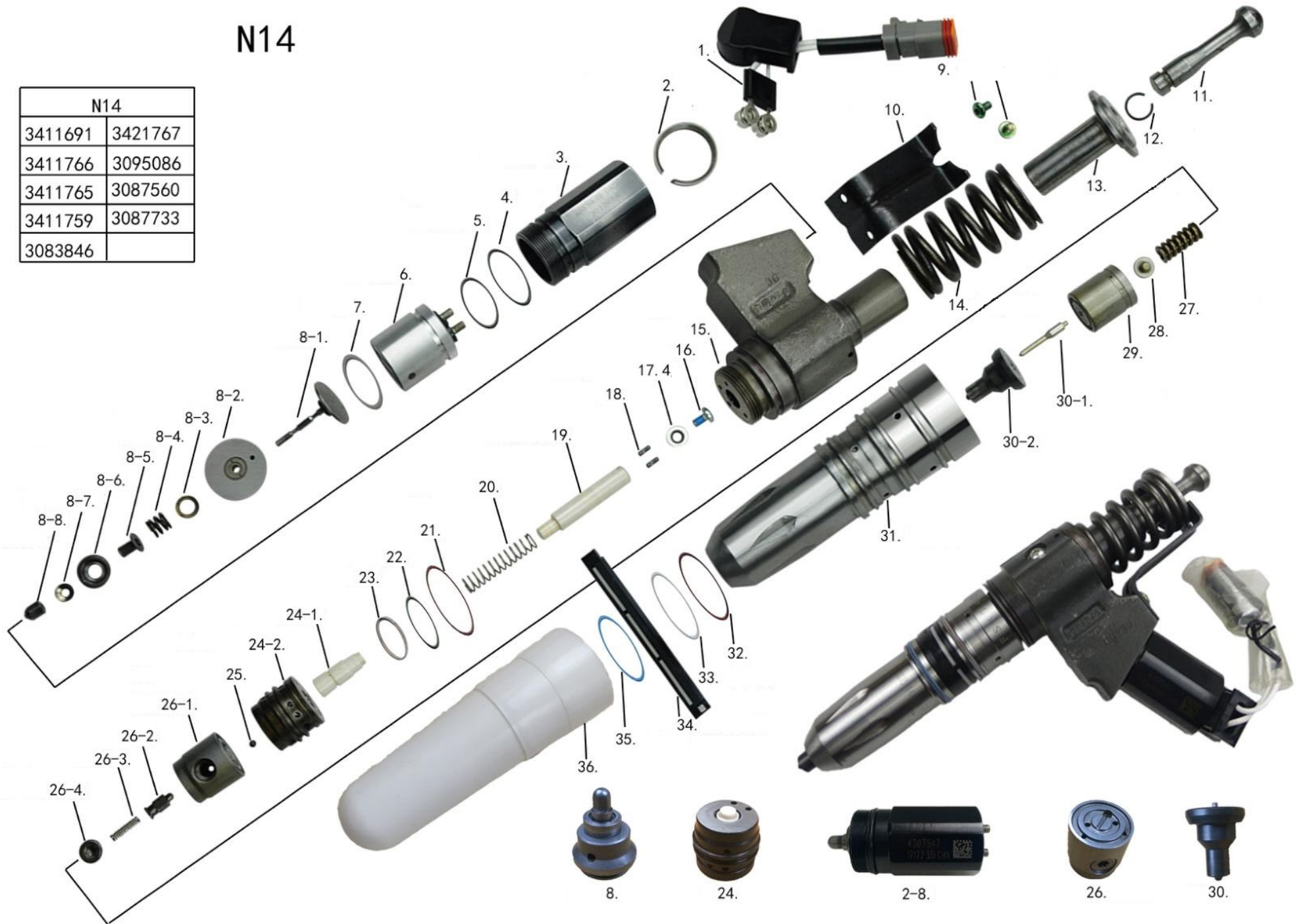


Item	Part nr. (old part nr.)	Description
1	54204/30	Seat, valve spring - thickness =.1145
	D3067426	Seat, valve spring - thickness =.1185
	54206/30	Seat, valve spring - thickness =.1235
2	D3066736	Cage, injector valve spring
3	D3066733	Tip assembly, marked 3076071 for injector 3652542
	D3079964	Tip assembly, marked 3079963 for injector 3652540
	D3084591	Tip assembly, marked 3084592 for injector 3411752
	D3087790	Tip assembly, marked 3087791 for injector 3411763
	D3088176	Tip assembly, marked 3088175 for injector 3411764
	D3095042	Tip assembly, marked 3095043 for injector 3411753
	D3095728	Tip assembly, marked 3095729 for injector 3411754
	D3095733	Tip assembly, marked 3095734 for injector 3411755
	D3409977	Tip assembly, marked 3409978 for injector 3411762
	D3411387	Tip assembly, marked 3411388 for injector 3411767
	D3411403	Tip assembly, marked 3411404 for injector 3411758
	D3411689	Tip assembly, marked 3411690 for injector 3411765
	D3411693	Tip assembly, marked 3411694 for injector 3411766
	D3609851	Tip assembly, marked 3609852 for injector 3411761
	D3609854	Tip assembly, marked 3609855 for injector 3411760
D3609860	Tip assembly, marked 3609861 for injector 3411759	
D3609924	Tip assembly, marked 3609925 for injector 3411756	
D4026224	Tip assembly, marked 4026225 for injector 4026222	
D4061853	Tip assembly, marked 4061854 for injector 4061851	
D4902922	Tip assembly, marked 4902924 for injector 4902921	
D4902928	Tip assembly, marked 4902928 for injector 4902925	
D4903322	Tip assembly, marked 4903322 for injector 4903319	
D4903475	Tip assembly, marked 4903475 for injector 4903472	
D4928174	Tip assembly, marked 4928174 for injector 4928171	
4	D3411711	Metering p&b assy (male) <a href="#">MORE DETAILS</a>
	D3072450	Metering p&b assy (female) <a href="#">MORE DETAILS</a>
5	D3034407K	Poppet Control valve kit with Collar
6	D4954880 (D4010324) (D4010253)	Fuel supply pump



# N14

N14	
3411691	3421767
3411766	3095086
3411765	3087560
3411759	3087733
3083846	

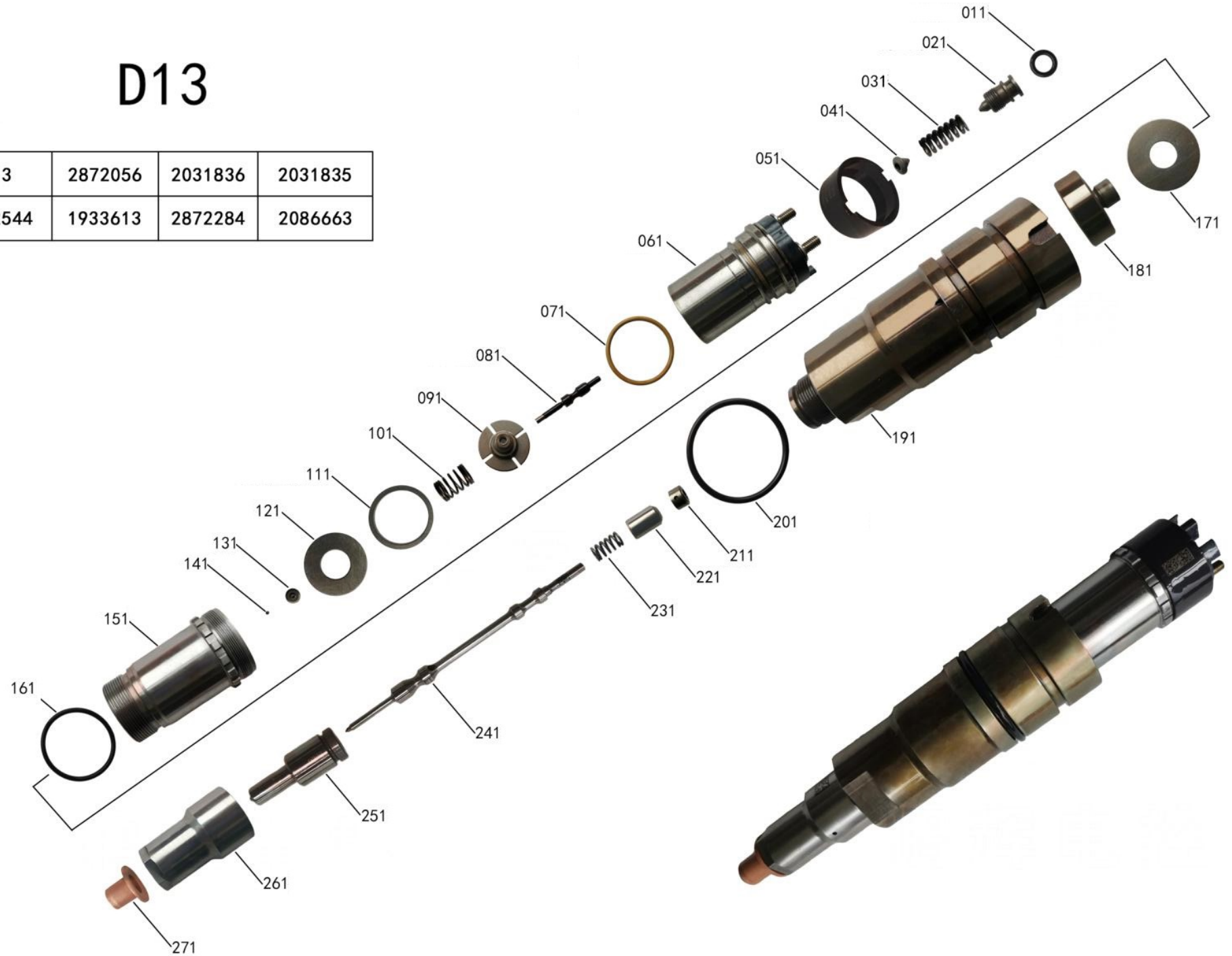


# QSK60



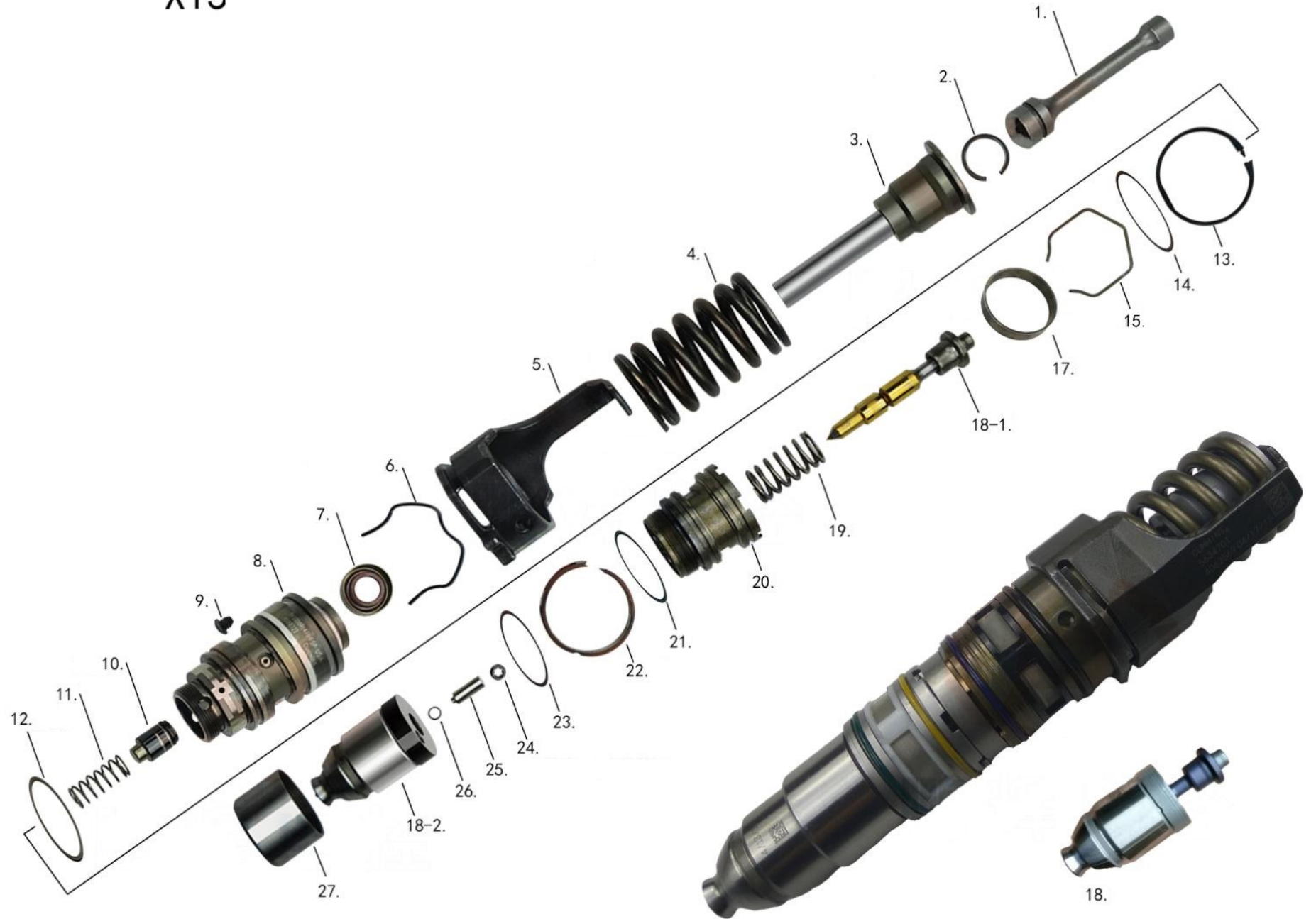
# D13

D13	2872056	2031836	2031835
2872544	1933613	2872284	2086663





# X15



**Cummins products**

NO.	Product name	Injector No.	Engine	Models	Remarks
1	Cummins control valve	4307475	Weichai WP6, SINOTRUK MC05	/ShanQi Delong, SINOTRUK	

Picture



NO.	Product name	Injector No.	Adaptation model	Models	Remarks
1		4307475	QSZ ISG		

Picture



NO.	Product model	Injector No.	Adaptation model	Models	Remarks
1	P4307070FSW		CUMMINS		
2	P5461846FSW		CUMMINS		

Picture



Cummins injector assy

NO.	Product name	product model	Adaptation model	Models	Remarks
1		4088593			

Picture





**GÜVENİŞ YEDEK PARÇA MAKİNA İTHALAT İHRACAT TİC. LTD. ŞTİ.**  
İKİTELLİ O.S.B. DOLAPDERE SANAYİ SİTESİ 19.ADA NO : 6  
BAŞAKŞEHİR / İSTANBUL

## COMMON RAIL NOZZLE

Website: [www.gtparts.com.tr](http://www.gtparts.com.tr)

Email: [info@gtparts.com.tr](mailto:info@gtparts.com.tr)

Tel: +90 212 525 66 72

Fax: +90 212 534 81 67





L221PBC COMMON RAIL NOZZLE



L221PBC COMMON RAIL NOZZLE



DLLA149P1724 COMMON RAIL NOZZLE



L087PRD COMMON RAIL NOZZLE



DLLA155P863 COMMON RAIL NOZZLE



CTRF2016 (C6.6) COMMON RAIL NOZZLE



(2645A747746) COMMON RAIL NOZZLE



DLLA146P1339 COMMON RAIL NOZZLE



DLLA150P2386 COMMON RAIL NOZZLE



DLLA155P1493 COMMON RAIL NOZZLE



DLLA156P1114 COMMON RAIL NOZZLE



L130PBA COMMON RAIL NOZZLE



L076PBD COMMON RAIL NOZZLE



CTRF9553N (3126B) NOZZLE COMPONENT



C15 053T843484 NOZZLE COMPONENT



L028PBC COMMON RAIL NOZZLE





# ***COMMON RAIL INJECTOR***





0445110661 (0445110603)  
BO INJECTOR



0445120138 BO INJECTOR



0445120214(00164) BO  
INJECTOR



0445120273 BO INJECTOR



0445117021  
BOINJECTOR (piezoelectric)



0445110293 BO INJECTOR



0445120059 BO INJECTOR



0445120067 BO INJECTOR



095000-5600(14654A041)  
DO INJECTOR



095000-6376 DO INJECTOR



095000-6490 DO INJECTOR



(FX)  
095000-6593 DO INJECTOR



095000-6222 DO INJECTOR



095000-6790 DO INJECTOR



0950007172 DO INJECTOR



0950008100 DO INJECTOR






**GÜVENİŞ YEDEK PARÇA MAKİNA İTHALAT İHRACAT TİC.LTD.ŞTİ.**

Tel: +90 212 525 66 72



			
F00RJ00420 00852-0420W	F00RJ01692 00852-1692W	F00RJ01747 00852-1747W	F00RJ02035 00852-2035W
			
F00VC01338 00853-1338W	F00VC01349 00853-1349W	F00RJ02130	F00RJ00375
			
F00VC01331	F00VC01334	F00VC01345	F00VC01359
			
F00RJ00339	F00VC01379	F00RJ02472	F00VC01044





# Güveniş Yedek Parça Makina İth.İhr.Tic.Ltd.Şti.

## CONTROL VALVES FOR BO INJECTORS

Seri No	Model	Seri No	Model	Seri No	Model
1	FOOR J01 865	47	FOOR J02 067	94	FOOV C01 043
2	FOOR J01 159	48	FOOR J00 447	95	FOOV C01 057
3	FOOR J01 218	49	FOOR J01 895	96	FOOV C01 044
4	FOOR J02 175	50	FOOR J02 130	97	FOOV C01 046
5	FOOR J02 466	51	FOOR J01 176	98	FOOV C01 050
6	FOOR J01 479	52	FOOR J02 213	99	FOOV C01 053
7	FOOR J01 533	53	FOOR J02 266	100	FOOV C01 007
8	FOOR J01 657	54	FOOR J02 278	101	FOOV C01 001
9	FOOR J01 683	55	FOOV C01 331	102	FOOV C01 024
10	FOOR J01 692	56	FOOV C01 334	103	FOOV C01 045
11	FOOR J01 522	57	FOOV C01 013	104	FOOV C01 051
12	FOOR J01 704	58	FOOV C01 336	105	FOOV C01 054
13	FOOR J02 806	59	FOOV C01 378	106	FOOR J01 714
14	FOOR J01 727	60	FOOV C01 338	107	FOOR J02 004
15	FOOR J01 924	61	FOOV C01 341	108	FOOR J01 747
16	FOOR J02 035	62	FOOV C01 342	109	FOOR J01 329
17	FOOR J01 451	63	FOOV C01 344	110	FOOR J01 819
18	FOOR J02 056	64	FOOV C01 346	111	FOOR J02 012
19	FOOR J02 103	65	FOOV C01 347	112	FOOR J02 377
20	FOOR J02 472	66	FOOV C01 348	113	FOOR J02 410
21	FOOR J01 278	67	FOOV C01 352	114	FOOR J02 429
22	FOOR J00 005	68	FOOV C01 353	115	FOOR J02 449
23	FOOR J00 375	69	FOOV C01 354	116	FOOR J02 506
24	FOOR J01 941	70	FOOV C01 355	117	FOOR J02 714
25	FOOR J01 129	71	FOOV C01 357	118	FOOV C01 301
26	FOOR J00 218	72	FOOV C01 358	119	FOOV C01 303
27	FOOR J00 339	73	FOOV C01 359	120	FOOV C01 309
28	FOOR J01 945	74	FOOV C01 360	121	FOOV C01 310
29	FOOR J00 399	75	FOOV C01 363	122	FOOV C01 311
30	FOOR J00 420	76	FOOV C01 364	123	FOOV C01 312
31	FOOR J00 834	77	FOOV C01 365	124	FOOV C01 313
32	FOOR J02 454	78	FOOV C01 367	125	FOOV C01 315
33	FOOR J01 005	79	FOOV C01 368	126	FOOV C01 317
34	FOOV C01 003	80	FOOV C01 371	127	FOOV C01 323
35	FOOV C01 004	81	FOOV C01 376	128	FOOV C01 324
36	FOOV C01 005	82	FOOV C01 380	129	FOOV C01 325
37	FOOV C01 011	83	FOOV C01 383	130	FOOV C01 328
38	FOOV C01 015	84	FOOV C01 377	131	FOOV C01 329
39	FOOV C01 016	85	FOOV C01 022	132	FOOV C01 333
40	FOOV C01 052	86	FOOV C01 038	133	FOOV C01 349
41	FOOR J01 052	87	FOOV C01 023	134	FOOV C01 340
42	FOOR J01 222	88	FOOV C01 033	135	FOOV C01 306
43	FOOR J01 334	89	FOOV C01 034	136	FOOV C01 320
44	FOOV C01 356	90	FOOV C01 035	137	FOOV C01 321
45	FOOR J01 428	91	FOOV C01 036	138	FOOR J02 246
46	FOOR J02 005	92	FOOV C01 037	139	FOOR J02 386
		93	FOOV C01 042		<b>RETURN</b>



# For Denso Series



# G3、G4 injector spare parts




**G3 injector spare parts**



**G4 injector spare parts**

NO.	Type NO. /stamping NO.	Matche Injectors	Place of Origin	Picture	Remarks
21	HP0 (New TYPE)	HP0 Plunger			
22	HP0(Old TYPE)	HP0 Plunger			
23		095000-0940,095000-0941 TOYOTA 23670-30030			2pcs/set

NO.	Product code	product model	Adaptation model	Models	Remarks
1	GS12	HP0 plunger and orifice plate	DESON HP0	HB20/ISUZU mu-X,Hyundai HB20	
Picture					



Picture		 Denso injector assy			
NO.	Type NO.	Injector No.	Nozzle	Orifice	Remarks
1	XF095009-0010	095000-5215	DLLA 150P 835	02#	
2	XF095009-0020	095000-5471	DLLA 158P 854	19#	
3	XF095009-0030	095000-6700	DLLA 155P 965	31#	
4	XF095009-0040	095000-6790/6791	DLLA 155P 1090	36#	
5	XF095009-0050	095000-8011	DLLA 145P 1049	31#	
6	XF095009-0060	095000-8100	DLLA 150P 1052	31#	
7	XF095009-0070	095000-6070	DLLA 148P 915	32#	
8	XF095009-0080	095000-6353	DLLA 155P 848	10#	
9	XF095009-0090	095000-6363	DLLA 158P 844	19#	
10	XF095009-0100	095000-6593	DLLA 155P 842	10#	
11	XF095009-0110	095000-8903	DLLA 158P 1096	29#	
12	XF095009-0120	095000-5511/5516	DLLA 152P 1097	19#	
13	XF095009-0130	095000-5881	DLLA 145P 864	07#	
14	XF095009-0140	6C1Q-9K546-BC/AC	DLLA 153P 884/885	22#	
15	XF095009-0150	G3 5296723	G3 S53	509#	
16	XF095009-0160	095000-5600	DLLA 145P 870	19#	
17	XF095009-0170	095000-6581	DLLA 145P 945	10#	
18	XF095009-0180	095000-5550	DLLA 150P 866	10#	
19	XF095009-0190	095000-5226	DLLA 158P 834	02#	



Güveniş Yedek Parça Makina İth.İhr.Tic.Ltd.Şti.

# SHAFT SUIT FOR DENSO



DO VALVE SHAFT  
095000-65936591



DO VALVE SHAFT  
23670-51030



DO VALVE SHAFT



DO VALVE SHAFT  
5600 (4.300)



DO VALVE SHAFT  
095000-7140



DO VALVE SHAFT  
00850DW-6723-02-3.80



DO VALVE SHAFT  
6070 (4 300)



DO VALVE SHAFT  
6353 (4 300)



**GÜVENİŞ YEDEK PARÇA MAKİNA İTHALAT İHRACAT TİC. LTD. ŞTİ.**  
İKİTELLİ O.S.B. DOLAPDERE SANAYİ SİTESİ 19.ADA NO : 6  
BAŞAKŞEHİR / İSTANBUL

**Delphi products**

Website: [www.gtparts.com.tr](http://www.gtparts.com.tr)

Email: [info@gtparts.com.tr](mailto:info@gtparts.com.tr)

Tel: +90 212 525 66 72

Fax: +90 212 534 81 67





7206-0379 CONTROL VALVE



7206-0379 CONTROL VALVE



7206-0379 CONTROL VALVE



7135-486 CONTROL VALVE



7200-0053 & 7200-0054 O-RINGS



REPAIR KITS FOR DELPHI FUEL INJECTOR



7135-588 CONTROL VALVE



9308-625C CONTROL VALVE  
( 28277576/28525582/28264094)



9308-621C/622B CONTROL VALVE(28239294/28239295)



DELPHI INJECTOR PLUG DEL-004



**GÜVENİŞ YEDEK PARÇA MAKİNA İTHALAT İHRACAT TİC. LTD. ŞTİ.**  
İKİTELLİ O.S.B. DOLAPDERE SANAYİ SİTESİ 19.ADA NO : 6  
BAŞAKŞEHİR / İSTANBUL

## **EUI EUP PARTS CATALOGUE**

Website: [www.gtparts.com.tr](http://www.gtparts.com.tr)

Email: [info@gtparts.com.tr](mailto:info@gtparts.com.tr)

Tel: +90 212 525 66 72

Fax: +90 212 534 81 67



**EUP**

**EUI**



**Φ**  
**6.990 7.025**  
**6.995 7.030**  
**7.000 7.035**  
**7.005 7.040**  
**7.010 7.045**  
**7.015 7.050**  
**7.020 7.055**  
 . . . . .

**Φ**  
**6.990 7.025**  
**6.995 7.030**  
**7.000 7.035**  
**7.005 7.040**  
**7.010 7.045**  
**7.015 7.050**  
**7.020 7.055**  
 . . . . .



(EUP/EUI CATALOGUE)

Designation	Model	Our Ref.	Size	Our Ref.	Size	Remarks
EUP		00Q-DKF(I)-0833-6.995	6.995	00Q-DKF(I)-0833-7.035	7.035	0414799005 0414799009 B414260926 0986445002 0986445110
		00Q-DKF(I)-0833-7.000	7.000	00Q-DKF(I)-0833-7.040	7.040	
		00Q-DKF(I)-0833-7.005	7.005	00Q-DKF(I)-0833-7.045	7.045	
		00Q-DKF(I)-0833-7.010	7.010	00Q-DKF(I)-0833-7.050	7.050	
		00Q-DKF(I)-0833-7.015	7.015	00Q-DKF(I)-0833-7.055	7.055	
		00Q-DKF(I)-0833-7.020	7.020	00Q-DKF(I)-0833-7.060	7.060	
		00Q-DKF(I)-0833-7.025	7.025	00Q-DKF(I)-0833-7.065	7.065	
		00Q-DKF(I)-0833-7.030	7.030	00Q-DKF(I)-0833-7.070	7.070	
EUI		00Q-DKF(II)-0833-6.995	6.995	00Q-DKF(II)-0833-7.035	7.035	0414701005 -SCANIA1529749 0414701008 -SCANIA1455861 0414701013 -IVECO500331074
		00Q-DKF(II)-0833-7.000	7.000	00Q-DKF(II)-0833-7.040	7.040	
		00Q-DKF(II)-0833-7.005	7.005	00Q-DKF(II)-0833-7.045	7.045	
		00Q-DKF(II)-0833-7.010	7.010	00Q-DKF(II)-0833-7.050	7.050	
		00Q-DKF(II)-0833-7.015	7.015	00Q-DKF(II)-0833-7.055	7.055	
		00Q-DKF(II)-0833-7.020	7.020	00Q-DKF(II)-0833-7.060	7.060	
		00Q-DKF(II)-0833-7.025	7.025	00Q-DKF(II)-0833-7.065	7.065	
		00Q-DKF(II)-0833-7.030	7.030	00Q-DKF(II)-0833-7.070	7.070	





EUP/EUI VALVES  
3.80~4.00mm  
0.01mm interval



PUMP PLUG EPDT-9.62



PUMP NOZZLE PLUG  
EIDT(14.70-14.86,0.02,1)



EUP SPRING NDP005



EUP SPRING SEAT NDP005




PUMP REMOVAL TOOL  
EUI/EUP



EUP SPRING PAD NDP005



## Güveniş Yedek Parça Makina İth.İhr.Tic.Ltd.Şti. Solenoid/Coil for injectors &pumps

NO.	Type NO.	Suitable for Injector Model	Place of Origin	Product pictures	Remarks
1	F00VC30318	0445110183 0445110347 0445110691 0445110291 0445110355 0445110629 0445110293 0445110357 0445110710 0445110301 0445110358 0445110752 0445110304 0445110359 0445110787 0445110305 0445110361 0445110447 0445110313 0445110365 0445110692 0445110317 0445110376 0445110735 0445110318 0445110454 0445110780 0445110321 0445110466 0445110792 0445110332 0445110486 0445110796 0445110333 0445110511 0445110799 0445110334 0445110512 0445110335 0445110594 0445110343 0445110623 0445110345 0455110637 0445110346 0445110690			
2	F00VC30319	0445110247 0445110442 0445110280 0445110558 0445110281 0445110356			
3	F00RJ02697	0445120007 0445120121 0445120008 0445120122 0445120019 0445120123 0445120020 0445120236 0445120040 0445120238 0445120059 0445120273 0445120060 0445120376 0445120084 0445120041 0445120134			
4	F00RJ02703	0445120066 0445120149 0445120215 0445120067 0445120150 0445120217 0445120078 0445120156 0445120225 0445120081 0445120160 0445120068 0445120083 0445120163 0445120161 0445120086 0445120164 0445120162 0445120087 0445120165 0445120167 0445120087 0445120166 0445120199 0445120102 0445120169 0445120204 0445120106 0445120170 0445120327 0445120110 0445120182 0445120387 0445120117 0445120183 0445120447 0445120127 0445120200 0445120129 0445120213 0445120130 0445120214			

NO.	Model	Suitable for Injector Model	Place of Origin	Product pictures	Remarks
5	F00RJ00395	0445120002			
6	F00VC30057	0445110126			
7	F00VC30058	0445110038 0445110059 0445110087 0445110091 0445110141 0445110185 0445110222 0445110223 0445110283 0445110306 0445110063 0445110084 0445110092 0445110102 0445110186 0445110221 0445110231 0445110279 0445110336			
8	F00RJ02702	0445120062 0445120289 0445120224 0445120309 0445120227 0445120310 0445120232 0445120343 0445120242 0445120357 0445120247 0445120391 0445120262 0445120266 0445120265 0445120277			
9	HDI10701	095000-5471 095000-6700 095000-8010 095000-6353 095000-6691 095000-6701 095000-5215			
10	HDI10702	5550			
11	HDI10704 (165uH)	095000-6790 095000-6222 095000-5600 095000-6791 095000-8100 095000-6250 095000-7761			
12	HDI10705 (270uH)	0L050			




NO.	Model	Suitable for Injector Model	Place of Origin	Product pictures	Remarks
17	320D				
18	320D	C4.2,C4.4 C6.4,C6.6			
19	Y0046G	C10,C12,C13 C15,C18,3500			
20	C7C9	C7,C9,C-9			
21	3126B	3126 Navista MTU			
22	312-5620	C4.2,C4.4 C6.4,C6.6			
23	312-5620	C4.2,C4.4 C6.4,C6.6			

NO.	Model	Suitable for Injector Model	Place of Origin	Product pictures	Remarks
13	2697				
14	5600				
15	120	F00RJ02703 F00RJ02697			
16	NDB100A-04				





# Güveniş Yedek Parça Makina İth.İhr.Tic.Ltd.Şti.


## Imported Solenoid & Sensor Catalogue


NO.	Model	Place of Origin	Remarks
1	AEPD01	USA	
pictures			
Suitable for Injector Model			
Suitable for injectors Delphi, Caterpillar, Perkins, Komatsu, Volvo. DELPHI Delphi 3406E Injectors: EX630956 / 10R0956 - 14.6L/15.8L EX630957 / 10R0957 - 14.6L/15.8L EX630958 / 10R0958 - 14.6L/15.8L Delphi C10/C12 Injectors: EX630725 / 10R0725, 212-3464 - C10/C12/3176C/3196 EX630961 / 10R0961, 212-3465, 116-5426 - C10/3176C EX630963 / 10R0963, 212-3465, 137-2500, 147-0373, EX630967 / 10R0967, 161-1785, 116-5414, 212-3462 - C10/3176C 160-1090, 160-2303, 194-5083, 212-3463 - C12/3196 EX630968 / 10R0698, 116-5425, 156-1011, 212-3466 - C12/3196 Delphi C13 Injectors: EX632977 / 10R2977, 249-0708 CATERPILLAR Caterpillar 3406E Reman Fuel Injector 10R0956, 10R0957, 10R0958 Caterpillar C10, C12 Reman Fuel Injector 10R0725 Caterpillar C15, C16 Reman Fuel Injector 10R1000 Caterpillar C15, 3406 Reman Fuel Injector 10R1273 Caterpillar C15, C16, 3406 Reman Fuel Injector 10R0955, 10R0956 PERKINS Perkins Marino CH10948 serie 2800 Perkins injector 2645A749 - 1106C KOMATSU Komatsu Excavator Fuel Injector, D65EX-17 Injector, D85PX-15, D85EX-15, D85EX-15SL, D155AX-7, D155AX-7, D275AX-5, D275AX-5SL, D475A-5, D375A-6, D475A-5SD, D65E-12, D65P-12 WD600-3, D375A-6, D375A-5, D31EX-22, D31PX-22, D37EX-23, D39EX-23. DELPHI / VOLVO Delphi EUI D12 Injectors:		EX631002 / 12.1L, X-reference: Volvo 15479098112557 EX631004 / 12.1L, X-reference: Volvo 39644048113092 EX631006 / 12.1L, X-reference: Volvo 81131808170966 EX631007 / 12.1L, X-reference: Volvo 31695218113837 Other injectors and information: Delphi 7135-486, Delphi BEBE4B12004 / 8112557 Caterpillar series 3500; 3500E / 3508E 3512E / 3516E, 3500 Marine MUI Perkins 3176 Volvo1547909 / 3155040 Solenoid type : CAT C10, CAT C12, CAT C13, CAT C15, CAT C16, 3406E Delphi, Caterpillar, Perkins, Komatsu, Volvo	




NO.	Model	Place of Origin	Remarks
2	AEPD18 (0810)	USA	
pictures			
Suitable for Injector Model			
Suitable for injectors (REDAT +OEM) CATERPILLAR 1 212 656 redat		Injectors suitable list CATERPILLAR Marine Applications Solenoid type CATERPILLAR Marine Pump CATERPILLAR C9.3, 1 212 656 redat	


NO.	Model	Place of Origin	Remarks
3	WYW-DCF-PYQ-320D(AP)	USA	
pictures			
Suitable for Injector Model			
Suitable for injectors (REDAT +OEM) CATERPILLAR C6.6 326-4700, 32F61-00060, 32F61-00062 095000-320D, 2645A745, 2645A747, 10R-7675 Injectors suitable list CATERPILLAR C6.6 Common Rail Solenoid type CATERPILLAR C6.6 Complementary information : Solenoide Common Rail 320D / 323D, Caterpillar 326-4700 for 320D / 323D Ref. Injector : CAT320D, 3264700, *C4.2 and C6.4 Engines OEM NO : 326 4700, Brand Name: CAT, Model Number: 326 4700		<b>CATERPILLAR C6.6</b>	


NO.	Model	Place of Origin	Remarks
4	AEPD20 (0482)	USA	
pictures			
Suitable for Injector Model			
Injector Solenoid CAT 3408 / 3412    CAT 3408/3412 CAT #206-1217,10R0969 Suitable for injectors :                    CATERPILLAR Caterpillar Diesel 3408 Caterpillar Diesel 3412 Engine # 3408/3412 CAT # 206-1217, 10R0969			


NO.	Model	Place of Origin	Remarks
5	AEP_SO23	USA	
pictures			
Suitable for Injector Model			
Suitable for injectors: Cummins N14, Cummins L10, Cummins M11  Solenoid type : Cummins N14, L10, M11 <b>CUMMINS</b>			


NO.	Model	Place of Origin	Remarks
6	2145427	USA	
pictures			
Suitable for Injector Model			
<p>Suitable for injectors :</p> <p>Delphi, Caterpillar.</p> <p>DELPHI</p> <p>Delphi C7 Injectors:</p> <p>EX634761 / 10R4761 - 222-5959, 222-5961, 233-5636, 236-0973, 241-3238, 243-4502, 295-1408, 328-2583, 387-9430.</p> <p>EX634762 / 10R4762 - 222-5962, 238-9808, 238-9809, 241-3239, 243-4503, 295-1409, 328-2584, 387-9429.</p> <p>EX634763 / 10R4763 - 222-5958, 231-3400, 233-3535, 236-0974, 238-8091, 241-3400, 246-2343, 295-1410, 328-2582, 387-9428.</p> <p>Caterpillar</p> <p>CAT Injector 10R4763 - CAT C7 Engines</p> <p>CAT Injector 10R4761 - CAT C7/C9</p> <p>CAT Injector 10R4762 - CAT C7 Engines / 10R4762R, 10R-4762R</p> <p>Other injectors and information:</p> <p>(REDAT +OEM) CAT C7 : 238-8091, 241-3239, CAT C9 254-4339, CAT C9 263-8218, 328-2582, 387-9427, 10R-4761, 10R-4762, 10R-4763. CAT C9 : 235-288, 236-0962</p> <p>Injectors suitable list :</p> <p>Caterpillar C7 : 238-8091, 241-3239</p> <p>Caterpillar C9 : 254-4339</p> <p>Caterpillar C9 : 263-8218, 328-2582, 387-9427, 10R-4761, 10R-4762, 10R-4763.</p> <p>Caterpillar C9 : 235-288, 236-0962</p> <p>Solenoid type :</p> <p>CAT C7, CAT C9.</p> <p>CATERPILLAR</p>			




NO.	Model	Place of Origin	Remarks
7	128-6601	USA	
pictures			
Suitable for Injector Model			
<p>Suitable for injectors:  Ford Powerstroke 7.3L / Navistar HEUI DT466, I530E, DT466 / 530, HT530  Ford 7.3L Powerstroke: AP63800AA, AP63801AB.  Navistar DT466E: AP63805BA, AP63806BB, AP63807BC, AP63808BD, AP63809BE, AP63810BF.  CAT 3126B/E HEUI</p>			

NO.	Model	Place of Origin	Remarks
8	AEP_SO4	USA	
pictures			
Suitable for Injector Model			
<p>Suitable for injectors :</p> Ford Powerstroke 7.3L (Blue connector) PurePower: 7002-PP, 7003-PP. Alliant Power: AP63803AD, AP63804AE. CAT HEUI			

NO.	Model	Place of Origin	Remarks
11	312-5620	USA	
产品图片 pictures			
Suitable for Injector Model			
Suitable with : CATERPILLAR Pump / MITSUBISHI (w/o seat for the O'ring) Injectors suitable list : CATERPILLAR Pump C6.6 Solenoid type : CATERPILLAR Pump C6.6 Complementary information : *C4.2 and C6.4 Engines		Application: PERKINS / CAT 1106 CATERPILLAR 291-5919 - 2P007695, Common Rail Pump C6.6 CAT PART NO : 3178021 / CAT 291-5919 - 2P007695 CAT 295-9125 PERKINS PART NO : 2641A312 Perkins Pump series 1100	

NO.	Model	Place of Origin	Remarks
12	312-5620HC	USA	
pictures			
Suitable for Injector Model			
Suitable with : CATERPILLAR Pump / MITSUBISHI (w/o seat for the O'ring) Injectors suitable list : CATERPILLAR Pump C6.6 Solenoid type : CATERPILLAR Pump C6.6 Complementary information : *C4.2 and C6.4 Engines		Application: PERKINS / CAT 1106 CATERPILLAR 291-5919 - 2P007695, Common Rail Pump C6.6 CAT PART NO : 3178021 / CAT 291-5919 - 2P007695 CAT 295-9125 PERKINS PART NO : 2641A312 Perkins Pump series 1100	

NO.	Model	Place of Origin	Remarks
13	AEP_SO9	USA	
pictures			

Suitable for Injector Model

Suitable for injectors :  
Maxxforce G2.9 Injectors  
AP66977, 1842577C93

Injectors suitable list :

NAVISTAR International Maxxforce G2.9 - 9/10

VT 365/6.0L International 2002-5-2003 - 4100 @ 230HP - 4200 @ 175-200 And 215HP - 3200 Bus @ 175-200 and 215 HP - 3300 BUS @ 175HP 6.0L dit FORD Powerstroke 2003-2004 - F250/F550

Excursion s/n up to 137-745

1843089C91, 1845879C91, 1843481C94, 1843481C95, 3C3Z-9E527-AE, 3C3Z-9E527-ABRM

6.0L dit FORD Powerstroke 2004-2006 - F250/F550 Excursion - F650/F750 - dit FORD

Powerstroke 2006 - LCF VT 365/6.0L International 2004-2006 - 4100 @ 230 HP - 4200 @ 175-200-215 and 230HP - 3200 bus @ 175-200 AND 215 HP - 3300 bus @ 175 HP VT 275/4.5L International 2006E Series 4.5L

1843089C91, 1845879C91, 1843481C94, 1843481C95, 3C3Z-9E527-AE, 3C3Z-9E527-ABRM

Solenoid type :

NAVISTAR International Maxxforce G2.9

Complementary information :

Ref. Inyector :

AP66992, AP66995 (2006)

AP66855, AP66857, AP66858 (2010-2013)

G2.9 (2004-2010)

Alliant Power - MaxxForce 9 & 10, DT466 / 570, HT570, Maxxforce DT / 9/10

Maxxforce G2.9 Injectors

AP66977, 1842577C93, NAVISTAR International Maxxforce G2.9 - 9/10,

NO.	Model	Place of Origin	Remarks
14	AEP_SO8	USA	
pictures			

Suitable for Injector Model

Suitable for injectors :

CAT C15 ACERT E4 / C13

CAT C15 4 Pins EUI

CAT C13 Engine 349E L Excavator





**GÜVENİŞ YEDEK PARÇA MAKİNA İTHALAT İHRACAT TİC. LTD. ŞTİ.**  
İKİTELLİ O.S.B. DOLAPDERE SANAYİ SİTESİ 19.ADA NO : 6  
BAŞAKŞEHİR / İSTANBUL

## **CAT Repair Kit**

Website: [www.gtparts.com.tr](http://www.gtparts.com.tr)

Email: [info@gtparts.com.tr](mailto:info@gtparts.com.tr)


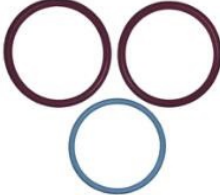
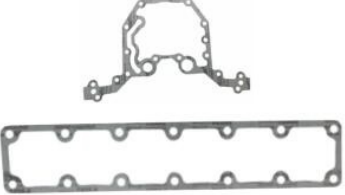


Tel: +90 212 525 66 72

Fax: +90 212 534 81 67



## Güveniş Yedek Parça Makina İth.İhr.Tic.Ltd.Şti. CAT Repair Kit

NO.	Type NO.	Supporting models	name	Picture	Remarks
1	402671	CAT C7/C9			
2	402751	CAT C9 actuated pump			
3	402752	CAT3126			
4	402725	CAT3412E			
5	402693	CAT3508			
6	402736	CAT 3516E			
7	402694	CAT C13/C15			

NO.	Type NO.	Supporting models	name	Picture	Remarks
8	402699	CAT320D			
9	402726	CAT3412A			
10	402753	CAT3412			
11	402753	CAT3412			
12	402753	CAT3412			
13					
14					





**GÜVENİŞ YEDEK PARÇA MAKİNA İTHALAT İHRACAT TİC. LTD. ŞTİ.**  
İKİTELLİ O.S.B. DOLAPDERE SANAYİ SİTESİ 19.ADA NO : 6  
BAŞAKŞEHİR / İSTANBUL

## Pressure limiting valve

Website: [www.gtparts.com.tr](http://www.gtparts.com.tr)

Email: [info@gtparts.com.tr](mailto:info@gtparts.com.tr)

Tel: +90 212 525 66 72

Fax: +90 212 534 81 67



1110010017 PRESSURE-LIMITING VALVE



1110010035 PRESSURE LIMITER



0954200281 PRESSURE LIMITER



1110010024 PRESSURE-LIMITING VALVE



F00R000756 PRESSURE-LIMITING VALVE



1110010020 PRESSURE-LIMITING VALVE



1110010027 PRESSURE-LIMITING VALVE



1110010022 PRESSURE-LIMITING VALVE



1110010025 PRESSURE-LIMITING VALVE



1110010032 PRESSURE-LIMITING VALVE



1110010035 PRESSURE-LIMITING VALVE



1110010019 PRESSURE-LIMITING VALVE



095000-0260 PRESSURE-LIMITING VALVE



095420-0201 PRESSURE-LIMITING VALVE






369-6662 PRESSURE-LIMITING VALVE (domestic)



# Güveniş Yedek Parça Makina İth.İhr.Tic.Ltd.Şti.







## SCV VALVE

NO.	Type NO. /stamping NO.	Matched pumps	Fit Engine	Place of Origin	Picture	Remarks
1	294200-0190 294200-0170 294000-0167	294050-0080 294050-0090 294050-0110 294050-0130 294050-0160 294050-0190	Nissan MPV/Hatchback/Saloon Estate 2003--2008-2.2 dCi engine:J05E denso HP3 DENSO HP4 pump			
2	294009-1221 04226-E0061	294200-0270 294000-0290 294000-0294 294000-0822 04226-E0040 04226-E0030 294000-0291 294000-0292 294000-0820 294000-0821 sk260-8 e265bj	HP3			
3	294009-0260 294200-0360 294009-0230 294200-0160 A6860-VM09A SM294009 -0251	294009-1110 294009-0251 294009-0250 0360 02Q18 1460A037 294009-02514 294009-1110	TD DIESEL 2006-2015 MITSUBISHI PAJERO SHOGUN 3.2 DI-D MITSUBISHI L200 2.5 DI-D 2005-ONWARDS ( TRITON 4D56, 4M41, PAJARO 4M41 ) CITROEN RELAY 2.2 HDI 100 / 120 -PEUGEOT BOXER 2.2 HDI 100 / 120 -FIAT DUCATO 100 MULTIJET 2.2 D Mazda 3/5/6 : 294000-0420 294000-0620 NISSAN CABSTAR /NAVARA /PATHFINDER 294000-0530 YD25DDTI MITSUBISHI 294000-0640 294000-03334D56 PEUGEOT 1. BOXER 2, 2 HDI:294000-0400			



NO.	Type NO. /stamping NO.	Matched pumps	Fit Engine	Place of Origin	Picture	Remarks
4	294200-0300 294200-0301	294000-0603 294000-0310 294000-0350 294000-0360 294000-0380 294000-0430 294000-0440 294000-0540 294000-0860 294000-0870	TOYOTA 1AD, 2AD, 1KD, 2KD TOYOTA Auris , Avensis, Corolla Verso, Dyna, Hiace, Hilux Land Cruiser, RAV4			
5	294009-0370		SCV DENSO MITSUBISHI PAJERO, L200 MAZDA 6			
6	A6860EC09A		NISSAN - - NAVARA (D40) -2.5 dCi 4WD NAVARA (D40) - 2.5 dCi 4WD			
7	294200-0650 8-98043687-0		SK200-8 J05 VALF KHYUNDAI , ISUZU TOYOTA , H K O, YEN K O S N A DENSO SCV ( ) 24V 8.5 Ohms for Fuel pressure regulation valve ISUZU 4HK1 and other D-MAX/4JA1 4JA1-T 4JH1 4JJ1 4JK1 ISUS KB/C190 C223 C240 TFR/4JA1 4JA1-TC 4JB1-TC NPR/4HF1 4HG1 4HG1-TC 4HK1 -TC 4HE1-TC 4B2C 4BD1 4BE1 FSR/6BD1 6BG1 6HH1 6HE1 6HK1 NKR/4JB1 4BJ1-TC 4JH1-TC MAZDA5 MAZDA6CX-7 CF9-CG1-CG5 CM4 -CM5-CM6 CP1-CP2-CP3 RA6 RB1 RB3 GD1-GD3 GD6 GD8 CE6- CE8 GM2-GM3 CR-V/RD5-RD7 RE2-RE4 RM1- RM2-RM4 CU1 CU2			

NO.	Type NO. /stamping NO.	Matched pumps	Fit Engine	Place of Origin	Picture	Remarks
8	294200-0042 294200-0041 294200-0040 04226-0L020	294000-0010 294000-0060 294000-0100 294000-0110 294000-0170 294000-0350 294000-0360 294000-0430 294000-0440 294000-0540 294000-0550 294000-0700 294000-0850 294000-0900 294000-0910 294000-0920 294000-1100 294009-0280	SCV (suction control valve) TOYOTA VIGO, FORTUNER, PRADO 1KD-FTV VIGO, INNOVA, COMMUTER 2KFTV 22560-300020			
9	294200-0670 8981305080 898181830 294200-0670 294009-0590 294009-0860	294050-0060 294050-0040 294050-0070 294050-0090 294050-0100 294050-0130 294050-0160 294050-0200 294050-0220 294050-0290 294050-0460 294050-0500 294050-0080 294050-0110 294050-0210	Fuel pressure regulation valve 24V 8.5 Ohms for ISUZU 6HK and other			
10	294200-2760		Fuel pressure regulation valve 24V 8.5 Ohms for ISUZU 4JK1 ,4JJ1 New MIT 4D56 , and 4M41			
11	294009-0730 8-98145453-0	294200-2760	12V 2.1 ohms (with adaptor kit) for ALL ISUZU light truck & passenger (D-MAX ,4JK1-T & 4JJ1-T AND MU7 4JJ-T)			





NO.	Type NO. /stamping NO.	Fit Engine	Picture	Remarks
12	294200-0660	made in Japan 12 V for Nissan Mazda YD25, Mitsubishi 4D56, 4M41		
13	294009-0120	0819185 , 98043686 ALMERA, ALMERA TINO COMBO (08.2003 - ...) HU294000-016#) YD22 8-97313862-#), Z17DTH CABSTAR, Euro-5 CORSA C (8-97313862-#) (HU294000-122#) silniki: Z17DTH silniki: YD25 MERIVA (8-97313862-#) PATHFINDER (294000-037#) silniki: Z17DTH silniki: YD25 N-SERIES (8-97328886-0) PATHFINDER (HU294000-122#) silniki: 4HK-1 silniki: YD25 MAZDA6 (RF5C13800) PRIMERA silniki: YD22 silniki: RF-DI MURANO (HU294000-122#) MPV (RF5C13800) silniki: YD25 silniki: RF-DI NAVARA YD25, Euro5 PAJERO / MONTERO (1460A040 X-TRAIL, silniki: YD22 -A059) 4M41 DI-DC JOHN DEERE (RE507959)		
14	294200-0040 294200-0042	TOYOTA 2.0 D4D AVENSIS (T25) 294000 -01021CD-FTV AVENSIS (T25) 294000 -0065 1CD-FTV COROLLA (E12) 294000 -01021CD-FTV		
15	294200-0040 294200-0042	DYNA 294200-00192KD-FTV HILUX 294200-0019KD-FTV 4-RUNNER 294200-00192KD -FTV TOYOTA HILUX 2001-2014 1KD-FTV / 2KD FTV DIESEL ENGINE HP3 1CD-FTV		
16	8-98145455-0 294009-0740 294200-2760	without adaptor kit) for ISUZU LIGHT TRUCK & PASSENGER SCV (294200-2760 made in Japan) 12V , 2.1 ohms (without adaptor kit) for ISUZU LIGHT TRUCK & PASSENGER		
17	04226-0L010 294200-0040 22560-30020 294200-0093	04226-0L010 ( 294200-0040 ) 12 V , 2.1 TOYOTA VIGO, FORTUNER, PRADO 1KD-FTV VIGO, INNOVA, COMMUTER 2KFV T25 2,0 D-4D 93KW, Bj. 2006-2009		







## Güveniş Yedek Parça Makina İth.İhr.Tic.Ltd.Şti.












### FUEL METERING VALVE UNIT




NO.	Type NO. / stamping NO.	Matched pumps	Fit Engine	Place of Origin	Picture	Remarks
1	0928400617		FAW 6.6D DCI11st 311.0 YC61 8.4 YC6M 9.8			
2	0928400802		4FA 2.7 116kw YNN4 D30TC13.0 129 kw FAW201 2.2 54 kw CH03 3.9 70 kw			
3	0928400689		YC4G 5.2D 210 kw YC4E 4.3D 180 kw YC6J 6.5D 199 kw FAW24 CA4DF 5.1170 kw			
4	0928400818		CP1H			
5	0928400607		PEUGEOT 206 207 307 308 PEUGEOT 407 PARTNER PEUGEOT 3008 1007 5008 BIPPER EXPERT FORD FIESTA C-MAX FOCUS CITROEN C2 C3 C4 C5 CITROEN BERLINGO CITROEN NEMO XSARA			
6	0928400680		147 MITO 159 FIAT MULTIPLA STRADA OPEL VECTRA ASTRA CORSA VAUXHALL VECTRA Mk II FIAT sedici 19D OPEL AstraH Signum OPEL VectraC OPEL Zafira CDTI SAAB 9.5 TID			

NO.	Type NO. /stamping NO.	Matched pumps	Fit Engine	Place of Origin	Picture	Remarks
13	0928400625		Volvo C30 C70 2.4D Volvo S40 S60 2.4D S80 V50 V70 XC60 2.4D S80 XC70 XC90 2.4D			
14	0928400726 71754810		FIAT DUCATO 120 F1AE0481D IVECO DAILY F1AE0481FA FIAT DUCATO 130 F1AE3481D UAZ PATRIOT F1AE0481A			
15	BC3Q-9J307-AA 0928400782 LR023169		Land Rover Discovery IV 3.0 SD TD V6 Land Rover Range Rover sport (LS) 3.0TD			
16	0928400666 4932457		5.9 Dodge Cummins Injection BOSCH CP3 system			
17	0928400487		NISSAN INTERSTAR PRIMASTAR OPEL MOVANO VIVARO RENAULT ESPACE IV RENAULT GRAND SCÉNIC II LAGUNA II RENAULT MEGANE II RENAULT TRAFIC II Engine 22 25DCI			
18	0928400627 51 12505 0027		MAN TGA 10.5 ALL serie			
19	0928400728		6DM2 6DN1 (6JM1) 4D19 TCI 84KW 4D19 TCI 84kw 114kw			
20	0928400498		BMW 330D 330XD 520D 530D 730LD X3 330D 330XD 520D 530D 730LD X3 20c 30c			
21	0928400568 504 0704 03 45 02 2054F		LDV MAXUS 2.5CDI			

NO.	Type NO. /stamping NO.	Matched pumps	Fit Engine	Place of Origin	Picture	Remarks
18	0928400633		33100-4A400 33100-4A410 2.5 CRDI 125KW 2.5 VGT 128KW			
19	0928400706 03L130755 03L130755A		AUDI A3 (8P1) (8PA) AUDI A4 (8K2) (8KH) (8K5) AUDI A5 (8T) A6 (4F2) (4F5) AUDI Q5 (8R) AUDI TT (8J3) (8J9) SEAT ALTEA EXEO SKODA OCTAVIA SUPERB YETI VW GOLF MULTIVAN V VW PASSAT TIGUAN TRANSPORTER V			
20	0928400739 42560782 504197201 8029205		FIAT DUCATO IVECO 35C14 35C15 IVECO 40C15 40C18 IVECO MASSIF			
21	0928400508 A6460740084		Mercedes Vito, Sprinter, C200, C220, CLK220 Mercedes E200 E220 E270 E280 S320 Sprinter 209 211 213 215 309 311 Sprinter 313 315 411 415 416 509 511 515 Viano 65/150 kw			
22	0928400667		FIAT DUCATO BZ / DS FIAT, Serie : Ducato 23c JTD, IVECO, Serie Daily 29L 35C 40C 50C 23c			
23	0928400567 504070403		FIAT DUCATO IVECO Daily 35C14 35C17 IVECO Daily 40C17 IVECO Daily 50C14 50C17 IVECO Daily 65C14 65C17			
24	0928400770		Renault MeganeIII, Scenic, 2.0 DCI			
25	0928400655					
26	0928400783					



32	0928400620 0928400543		MAN TGA 12.8 ALL serise CR/CP3S3/L125/40-789S CR/CP3S3/L125/40-789S	
33	0928400636		scorpio 2.6 CRDe	
34	0928400640		AMU 4.8 ALL serise GAZ 4.8 ALL serise KUR3 4.8 MAS 4.8 ALL serise MMZ 4.8 ALL serise MTZ Belarus 4.8 PAB 4.8 ALL serise	
35	0928400652		Avante HD 1.6 VGTCRDI Verna, Click 1.5 VGT CRDI Picanto 1.1 CRDI Cerato, Pride new 1.5 VGT CRDI Rio 1.5 CRDI	
36	0928400654 0928400493		OPEL, Serie : AstraG AstraH, Engine 17c CDTI	
37	0928400655		DOGE Sprinter 3500 2.7 Vito 109 CDI Sprinter 209 211 213 215 309 311 Sprinter 313 315 411 415 416 509 511 515 Viano CDI 2.2	
38	0928400656		ALFA ROMEO, Serie : 159 FIAT, Serie Cromia LANCIA, Serie Thesis	
39	0928400664		Citroen Fiat Ford 2.2 HDI TDCI JTD Lancia Peugeot 2.2 HDI TDCI JTD Land Rover 2.2 HDI TDCI JTD	
40	0928400669		Captiva, Epica, lacetti , Nubira 2.0 CRDi Daewoo winstorm 2.0Vcdi OPEL Astra 2.0 CDTI	
41	0928400671		NISSAN Cabstar, Patrol, TK55 DFL96 3.0 Mascott 130 150	
42	0928400672		RENAULT: Master 25c DCI NISSAN: Interstar Primastar 25c DCI	

NO.	Type NO. / stamping NO.	Matched pumps	Fit Engine	Place of Origin	Picture	Remarks
67	0928400756		Land Rover Discovery IV 3.0 SD TD V6 Land Rover Range rover sport (LS) 3.0 TD			
68	0928400759					
69	0928400761		MAN TGL TGM 4.6 6.9 all serie			
70	0928400768					
71	0928400791		IVECO Daily			
61	0928400738		CHRYSLER Voyager 2.8 CRD DODGE NITRO 2.8 CRD JEEP LIBERTY 2.8 CRD			
62	0928400743		RENAULT:Master 25c DCI NISSAN:Interstar Primastar 25c DCI			
63	0928400744		ALFA ROMEO, Serie:147 159 FIAT, Serie : Bravo Doblò Multipla Stilo, LANCIA, Serie Musa			
64	0928400746		NEOPLAN Trendliner 10.5			
65	0928400750		CP1			
66	0928400752					

NO.	Type NO. /stamping NO.	Matched pumps	Fit Engine	Place of Origin	Picture	Remarks
55	0928400715		BT-50 2.5 3.0 TDI			
56	0928400721		VW LT 28, LT 35, LT 46 2.8 TDI 116 kw			
57	0928400724 8370 69148					
58	0928400725		MERCEDES: C30AMG E400 G400 ML400 S400			
59	0928400726		FIAT, Serie:Ducato 23c JTD, IVECO, Serie Daily 29L 35C 40C 50C 23c			
60	0928400736		CHVROLET Blazer S10 2.8D			
49	0928400687		Accord CRV CIVIC FRV 2.2 CTDI			
50	0928400699		FORD Cargo			
51	0928400700		Renault Espace, Laguna, Scenic, Nissan Primastar, Trafic, Velsatis Engine 20c DCI M9R			
52	0928400712 0445020043		cummins ISF 3.8, ISBE 3.9 5.9 DAF CF LF			
53	0928400713		STAREX (H1) SORENTO WGT Hyundai H-1 2.5 CRDi 103 kw Kia Sorento 2.5 CRDi 103 kw			
54	0928400714		Renault Megane, Laguna, Scenic, 1.9 DCI			



NO.	Type NO. / stamping NO.	Fit Engine	Picture
90	0928400834		
91	0928400837		
92	0928400838		
93	0928400839		
94	0928400624		
95	0928400626	BMW E65 740D	
78	0928400535	CHVROLET Silverado 2500 3500 6.6 GMC sierra 6.6	
79	0928400574 0928400653	GMC sierra 6. 6	
80	0928400612	MERCEDES, Serie : A180 A200 B180 B200	
81	0928400789	Volvo VM210 VM260 VM310	
82	0928400790		
83	0928400804		

NO.	Type NO. / stamping NO.	Fit Engine	Picture
84	0928400805		
85	0928400806		
86	0928400810		
87	0928400812	Nissan Primaster, Qasshqai, DCI X-trail 2.0 OPEL vivaro 2.0 CDTI Renault Espace, Laguna Koleos 2.0 DCI	
88	0928400816		
89	0928400825		
72	0928400822	JEEP LIBERTY 2. 8 CRD	
73	0928400707		
74	0928400473		
75	0928400667	FIAT DUCATO 2. 3	
76	0928400735		
77	0928400512		

NO.	Type NO. / stamping NO.	Fit Engine	Picture
114	0928400717		
115	0928400718		
116	0928400720		
117	0928400722		
118	0928400727	Mitsubishi canter-35 55 65 75 3.0	
119	0928400733		
102	0928400673	CHVROLET Silverado express 2500 3500 6.6	
103	0928400678		
104	0928400690	Mitsubishi canter-65 6c18 4.9 Mitsubishi canter-75 7c18 4.9	
105	0928400693		
106	0928400695		
107	0928400698	toyota AurisIQ corolla 1.4D Yaris 1.4D subaru trezia	

NO.	Type NO. / stamping NO.	Fit Engine	Picture
108	0928400701	E420 GL420 Mercedes ML420 S420 Mercedes S450 ML450 GL450	
109	0928400702	DAF ISDE 8.9	
110	0928400703		
111	0928400710	A160 A180 Mercedes A200 CDI	
112	0928400711	DODGE RAM 6.7 2500 3500	
113	0928400716	BMW E38 740D	

96	0928400634		
97	0928400642		
98	0928400644	FORD Cargo 3.9 5.9 ford F250	
99	0928400646	Mitsubishi canter 4.9	
100	0928400653	GMC sierra 6.6	
101	0928400665		

NO.	Type NO. / stamping NO.	Fit Engine	Picture
132	0928400771		
133	0928400772	Volvo VM210 VM310 7.2 VM260	
134	0928400774	FORD Cargo 4.5 6.7	
135	0928400794	FAW 2.8 2.8D 2.8D GONOW 2.0 2.8	
136	0928400801	FAW 3.8	
137	0928400809		
138	0928400630		
139	0928400670	FE280 Volvo FE240 FE320 7.1	
140	0928400709	scorpio 2.2 CRDe	
124	0928400753		
125	0928400754	MAN TGL TGM 6.9 al serie	

NO.	Type NO. / stamping NO.	Fit Engine	Picture
126	0928400755	MAN TGX 16.2 ALL serie	
127	0928400760		
128	0928400763	Mercedes Sprinter 319 419 519 219 E300 ML300 G300 E350 blue tech ML350 GL350 S350	
129	0928400765	IVECO stralis 8.7 alltype	
130	0928400766	MAN TGS type MAN NG type	
131	0928400769	OPEL MOVANO 2.3 VIVARO 2.0	
120	0928400741		
121	0928400742		
122	0928400745		
123	0928400751	BMW E70 X5 3.0	





Güveniş Yedek Parça Makina İth.İhr.Tic.Ltd.Şti.

## COMMON RAIL SERIES



161-1704-6 COMMON RAIL  
SENSOR



55PP04-01 COMMON RAIL  
SENSOR



55PP05-01 COMMON RAIL  
SENSOR



55PP06-03 COMMON RAIL  
SENSOR



55PP07-02 COMMON RAIL  
SENSOR



55PP11-01 COMMON RAIL  
SENSOR



55PP22-01 COMMON RAIL  
SENSOR



55PP26-02 COMMON RAIL  
SENSOR



55PP34-01 COMMON RAIL  
SENSOR



5WS40209 COMMON RAIL SENSOR



6PH1001.1 COMMON RAIL SENSOR



6PH2001.2 COMMON RAIL SENSOR



43PP7-2 COMMON RAIL SENSOR



45PP3-1 COMMON RAIL SENSOR



45PP3-4 COMMON RAIL SENSOR



55PP02-03 COMMON RAIL SENSOR



55PP03-02 COMMON RAIL SENSOR



85PP40-02 COMMON RAIL SENSOR



499000-6131 COMMON RAIL SENSOR



499000-6080 COMMON RAIL SENSOR



499000-6160 COMMON RAIL SENSOR



499000-4441 COMMON RAIL SENSOR



937 COMMON RAIL SENSOR



23710-26011 COMMON RAIL SENSOR



157-3182 COMMON RAIL SENSOR





0281006246 COMMON RAIL SENSOR





## Güveniş Yedek Parça Makina İth.İhr.Tic.Ltd.Şti.

### Repair Tools

NO.	Model	Suitable for Injector Model	Place of Origin	Remarks
1	WY-38CR			
pictures				
<b>Inclusion:</b>				
<p>38 sets of electronic control fuel injector decomposition tools (Torsion wrench needs selected. TYPE NO: WY-38CR) Solenoid valve seat sleeve wrench Oil nozzle cap sleeve wrench Oil-encapsulated fittings Valve assembly top wire Valve Assembly Installation Tool Valve assembly nut disassembly tool Caterpillar Cross Spanner Oil Seal Remover</p>				
NO.	Model	Suitable for Injector Model	Place of Origin	Remarks
2	WY-23CR			
pictures				
<b>Inclusion:</b>				
<p>23 sets of electronically controlled fuel injector decomposition tools (Torsion wrench selection includes simple disassembly rack TYPE NO: WY-23CR) Solenoid valve seat sleeve wrench      Komatsu wrench Valve assembly nut disassembly tool      Caterpillar Cross Spanner Oil nozzle cap sleeve wrench      Oil Seal Remover Electrically fitted three-claw spanner      Oil-encapsulated fittings Simple fuel injector disassembly rack, etc.</p>				

NO.	Model	Suitable for Injector Model	Place of Origin	Remarks
3	WY-NC011			

pictures




### Adaptation Model Table:


#### WY-NC011


Electronically Controlled Injector Holder (12 sets)TYPE NO:WY-NC011


All kits are equipped with O-rings, oil inlet joints, tight caps and sealing sleeves of various types.


(Item)	(Specifications)	(Suitable injector)
D70	Zφ26	BOSCH 0445 120 156 0445 120 083 0445 120 110 0445 B2910 300
D71	Yφ26-φ19	DENSO 6222 5842 5941 6692
D72	Yφ26	BOSCH 0445 120 123 0445 120 007 0445 120 059 0445 120 078 (0455 120 121 0455 120 070 加密封套)
D73A	Zφ30	BOSCH 0445 120 127 0445 120 086 265
D74A	Yφ30	BOSCH
D75	Zφ28	BOSCH 0445 120 160 0445B29029 0445 120 215 0445 B2900 600
D76	Yφ28	BOSCH 0445 120 124
D77	Zφ29	BOSCH
D77B	Yφ29	BOSCH 0445 120 102
D78	Zφ32	BOSCH 0445 120 106 084
D78B	Yφ32	BOSCH RENAULT
D79	Zφ34	BOSCH


NO.	Model	Suitable for Injector Model
4	WY-NC012	
pictures		
<p><b>Short Distance Holder</b> (12 sets of TYPE NO:WY-NC012)</p>		

NO.	Model	Suitable for Injector Model
5	WY-BPZ01	3126 C7 C9 C-9
pictures		
<p>Carter Medium Pressure Common Rail Injector Disassembly Tool (TYPE No: WY - BPZ01) Suitable for: Carter 3126 C7 C9 C-9 Pump Nozzle Disassembly and assembly</p>		


NO.	Model	Suitable for Injector Model
6	WY-BPZ02	
pictures		
<p><b>Cummins Injector Disassembly Tool</b> (TYPE NO: WY-BPZ02)</p>		


NO.	Model	Suitable for Injector Model
7	WY-BPZ03	
pictures		
<p><b>Volvo Injector Disassembly Tools</b> (TYPE NO: WY-BPZ03)</p>		


NO.	Model	Suitable for Injector Model
8	WY-NC003	<b>BOSCH DENSO</b>
pictures		
<p><b>Common rail injector filter element disassembly tool (TYPE NO: WY-NC003)</b></p>		


NO.	Model	Suitable for Injector Model
9	WY-NC002	
pictures		
<p><b>HP0 plunger repair tool</b> (TYPE NO: WY-NC002)</p>		





NO.	Model	Suitable for Injector Model
10	WY-JY05	
pictures		
Common rail injector return joint kit (TYPE NO: WY-JY05)		


NO.	Model	Suitable for Injector Model
11	WY-F02B	
pictures		
Bosch 617 Fuel Metering Valve Lama (TYPE NO: WY-F02B)		

NO.	Model	Suitable for Injector Model
12	WY-F02A	
pictures		
Bosch 818 fuel metering valve Lama (TYPE NO: WY-F02A)		

NO.	Model	Suitable for Injector Model
13	WY-F01A	
pictures		
Delphi Fuel Metering Valve Lama (TYPE NO: WY-F01A)		


NO.	Model	Suitable for Injector Model	Place of Origin	Remarks
14	WY-WD01			
pictures				
Universal gripper (TYPE NO: WY-WD01)				


NO.	Model	Suitable for Injector Model	Place of Origin	Remarks
15				
pictures		 <p><b>DENSO</b> DENSO-fixing seat for disassembling u2 plunger T20</p> <p><b>BOSCH</b> BOSCH-CP3 Retainer T30</p> <p><b>DENSO</b> DENSO-used for pressing plunger spring of-u2 pump T40</p> <p><b>DENSO</b> DENSO-wrench for U2 delivery valve(S42) T50</p>		
Electronically Controlled High Pressure Pump Decomposition Tool				
<b>BOSCH</b> BOSCH-fixing tools for supply pump		<b>BOSCH</b> BOSCH-CP2 Retainer	<b>BOSCH</b> BOSCH-puller for the oil seal of the pumps	


NO.	Model	Suitable for Injector Model
16	WY-CZJ02	
pictures		
<b>clamp disassembly rack (TYPE NO: WY-CZJ02)</b>		


NO.	Model	Suitable for Injector Model
17	Upgrade WY-CZJ02	
pictures		
<b>Upgrade of Flipping Gear Disassembly Frame (Upgrade WY-CZJ02)</b>		


NO.	Model	Suitable for Injector Model
18	WY-CZJ03	
pictures		
<b>WY-CZJ03 reversible disassembly frame Reversible Injector Disassembly Frame (TYPE NO: WY-CZJ03)</b>		


NO.	Model	Suitable for Injector Model
19	WY-CZJ04	
pictures		
<b>Special disassembly frame for nozzle of WY-CZJ04 pump</b>		

NO.	Model	Suitable for Injector Model
20	WY-DZ30/DZ31	DZ30   CATERPILLAR C7 HEUI CATERPILLAR C9 HEUI DZ31   CATERPILLAR 316 HEUI
pictures		 Medium pressure common rail adaptor
<b>Carter medium voltage common rail adapter (TYPE NO: WY-DZ30/DZ31)</b>		


NO.	Model	Suitable for Injector Model
21	WY-H10	
pictures		 H10 backflow kit(Order code:H10) For DENSO injectors(on komatsu excavator)
<b>Electric Komatsu Oil Return Device (TYPE NO: WY-H10)</b>		

NO.	Model	Suitable for Injector Model
22	WY-H20	
pictures		 <p>H20回油装置(订货代号:H20) 适用于:卡特彼勒燃油器 H20 backflow kit(Order code:H20) For caterpillar injectors</p>
<b>Caterpillar oil return unit and Caterpillar 320D fixture (TYPE NO: WY-H20)</b>		


NO.	Model	Suitable for Injector Model
23	WY-JY04A/B	
pictures		
<b>Simple Oil Collector Improvement Edition</b>		


NO.	Model	Suitable for Injector Model
24	WY-JY/03	BOSCH
pictures		 <p>BOSCH BOSCH fuel collector (Order code: JY/03) Apply to all fuel injectors of BOSCH</p>
<b>BOSCH collector supports all Bosch models (TYPE NO: WY- JY/03)</b>		


NO.	Model	Suitable for Injector Model
25	WY-JY02A/02B	c7/c9
pictures		
<b>Fast collector adapts to all c7/c9 nozzle injectors (TYPE NO: WY- JY02A/02B)</b>		


NO.	Model	Suitable for Injector Model	Place of Origin	Remarks
26				
pictures				
<b>Injector Dismantling Tool Car disassembly tool fittings</b>				





NO.	Model	Suitable for Injector Model	Place of Origin	Remarks
32	368 Fixture			
pictures				
<b>German Man 368 Fixture</b>				


NO.	Model	Suitable for Injector Model	Place of Origin	Remarks
33	WY-BJ02			
pictures				
<b>WY-BJ02 Measuring Tool</b>				


NO.	Model	Suitable for Injector Model	Place of Origin	Remarks
34	WY-3BJ03	Bosch Denso		
pictures				
<b>WY-BJ03 Measuring Tool (Applicable to Bosch and Denso)</b>				


NO.	Model	Suitable for Injector Model	Place of Origin	Remarks
35	WY-BJ04	Bosch		
pictures				
<b>WY-BJ04 Measuring Tool (Applicable to Bosch)</b>				


NO.	Model	Suitable for Injector Model	Place of Origin	Remarks
36	WY-XBJ04	Bosch Denso		
pictures				
<b>WY-XBJ04 Measuring Tool (Applicable to Bosch and Denso)</b>				


NO.	Model	Suitable for Injector Model	Place of Origin	Remarks
37	Cat320D			
pictures				
<b>Carter 320D disassembly Kit</b>				


NO.	Model	Suitable for Injector Model	Place of Origin	Remarks
38				
pictures				

NO.	Model	Suitable for Injector Model	Place of Origin	Remarks
39	WY-YM02-T		china	
pictures				
<b>WY-YM02-T Valve Assembly Speed up to 2800 rpm</b>				

NO.	Model	Suitable for Injector M.
40	WYW-GJ-CATB -KB-C7	
pictures		
<b>C7 SNAP-GAUGE</b>		

NO.	Model	Suitable for Injector M.
41	WYW-CXGJ-C7/C9	
pictures		
<b>SNAP-GAUGE FOR C7/C9 PUMP</b>		


NO.	Model	Suitable for Injector M.
43		
pictures		
<b>C7 NOZZLE NUT ASSEMBLING AND DISASSEMBLING TOOL</b>		


NO.	Model	Suitable for Injector M.
42		
pictures		
<b>MULTI-FUNCTION WRENCH</b>		

NO.	Model	Suitable for Injector M.
44	CSD-V2	
pictures		
<b>V2 NOZZLE TESTING TOOL</b>		


NO.	Model	Suitable for Injector M.
45	CSD-V4	
pictures		
<b>V4 NOZZLE TESTING TOOL</b>		




NO.	Model	Suitable for Injector Model
46	WYW-CAT-JQGZ-C7/C9	
pictures		
<b>DISASSEMBLING TOOL FOR O-RING</b>		

NO.	Model	Suitable for Injector Model
47	CATCX-00	
pictures		
<b>ASSAMBLING AND DISSAMBLING TOOL</b>		

NO.	Model	Suitable for Injector Model
48	DZCX6-00	
pictures		
<b>ASSAMBLING AND DISSAMBLING TOOL FOR DENSO</b>		

NO.	Model	Suitable for Injector Model
49	YDTC-QWX-01-00	
pictures		

NO.	Model	Suitable for Injector Model
51	CSD-C-9	
pictures		

NO.	Model	Suitable for Injector Model
50	CSD-C7/C9	
pictures		



**GÜVENİŞ YEDEK PARÇA MAKİNA İTHALAT İHRACAT TİC. LTD. ŞTİ.**  
İKİTELLİ O.S.B. DOLAPDERE SANAYİ SİTESİ 19.ADA NO : 6  
BAŞAKŞEHİR / İSTANBUL

## **Bosch Injector Gasket Catalog**

Website: [www.gtparts.com.tr](http://www.gtparts.com.tr)





Email: [info@gtparts.com.tr](mailto:info@gtparts.com.tr)

Tel: +90 212 525 66 72






Fax: +90 212 534 81 67

NO.	Type NO.	Supporting models	name	specification	unit price	Picture	Remarks
1	B11	Bosch CRIN1 cart series	Air clearance gasket	0.90-1.50(0.01m m/) conventional: 0.90-1.09			65manganese ID / OD: φ19/ES22
2	B12	Bosch CRIN1 cart series	Armature lift washer	0.90-1.50(0.01m m/) conventional: 0.90-1.09			65manganese ID / OD: φ18/ES22
3	B13	Bosch CRIN1 cart series	Solenoid valve spring washer	0.90-1.96 (0.01m m/) conventional: 1.20-1.69			45 # steel ID / OD: φ2.3 / 4.2
4	B14	Bosch CRI2-14 / CRIN1 / CRIN2	Nozzle spring washer	0.90-1.96 (0.01m m/) conventional: 1.20-1.69			45 # steel ID / OD: φ3.5/5.37
5	B15	Bosch CRI2-14 trolley series	Solenoid valve spring washer	1.10-1.99 (0.01m m/) conventional: 1.10-1.45			45 # steel ID / OD: φ2.85/5.07
6	B16	Bosch CRIN1 / CRIN2 cart series	Needle valve lift gasket	0.90-1.40 (0.01m m/) conventional: 0.90-1.30			65 manganese Outer diameter: φ2.28
7	B17	Denso G2 series	Solenoid valve spring washer	1.00-1.90 (0.02m m/) conventional: 1.00-1.78			45 # steel ID / OD: φ1.7/4.0



NO.	Type NO.	Supporting models	name	specification	unit price	Picture	Remarks
8	B18	Bosch CRIN1 cart series	Open stop	1.24-1.36 (0.01mm)			65 manganese ID / OD: φ 4.5/9.8
9	B19	Bosch CRI2-14 trolley series	Open stop	1.16-1.27 (0.01mm)			65 manganese ID / OD: φ 2.7/5.5
10	B21	Denso G2 / X1 series	Nozzle spring washer	1.00-2.50 (0.05mm)			45 # steel ID / OD: φ 3.5/6.78
11	B22	Bosch CRIN2 cart series	Buffer lift gasket	0.97-1.50 (0.01mm)			45 # steel ID / OD: φ 4.7/7.65
12	B25	Bosch CRI2-14 trolley series	Air clearance gasket	0.90-1.24 (0.01mm)			65 manganese ID / OD: φ 19/23.7
13	B26	Bosch CRIN2 cart series	Armature lift washer	1.34-1.76 (0.01mm)			45 # steel ID / OD: φ19.53/22.83
14	B27	Denso G2 series	Armature lift washer	1.50-1.72 (0.01mm)			45 # steel ID / OD: φ21.5/24.3

NO.	Type NO.	Supporting models	name	specification	unit price	Picture	Remarks
15	B28	Denso X1 Series	Armature lift washer	3.90-4.13 (0.01mm)			45 # steel ID / OD: φ22.4/25.0
16	B31	Bosch CRI2-14 trolley series	Armature lift washer	1.20-1.39 (0.01mm)			45 # steel ID / OD: φ10.35/15.8
17	B32	Bosch CRIN1-14/16 0445120002/ 0986435501	Thrust block	8.40-8.70 (0.01mm)			Bearing steel Outer diameter: φ5.97
18	B33	Bosch CRIN1-14 / 16 CRI1-13 trolley series	Thrust block	8.25-8.70 (0.01mm)			Bearing steel Outer diameter: φ6.00
19	B34	Siemens	Armature lift washer	0.90-1.13 (0.01mm)			65 manganese ID / OD: ES.14.3/ ES.18
20	B35	Siemens	Nozzle spring washer	1.26-1.72 (0.02mm)			45 # steel ID / OD: φ3.3/6.2
21	B36	Fukang	Solenoid valve cushion	1.92-2.01 (0.01mm)			Bearing steel ID / OD: φ12.1/25.75

NO.	Type NO.	Supporting models	name	specification	unit price	Picture	Remarks
22	B37	Fukang	Armature lift washer	2.86-3.05 (0.01mm)			Bearing steel ID / OD: φ21.9/25.75
23	B38	Fukang		1.98-2.07 (0.01mm)			Bearing steel ID / OD: φ10.2/19.8
24	C11	3126/Perkins	Solenoid valve clearance pad	5.40-5.64 (0.02m m) conventional: 5.50-5.60			Aluminum parts  Shape: 46 * 46
25	C12	3126/Perkins	Control valve lift pad	1.86-2.25 (0.01m m) conventional: 2.00-2.19			Bearing steel ID / OD: 16.5 / 21.74
26	C13	3126/3408/ 3412/Perkins	Nozzle pressure pad	2.00-2.54 (0.02m m) conventional: 2.10-2.48			Bearing steel ID / OD:8.9





**GÜVENİŞ YEDEK PARÇA MAKİNA İTHALAT İHRACAT TİC.LTD.ŞTİ.**

Tel: +90 212 525 66 72

