



WEICHAI

DHM10D0002

226B SERIES DIESEL PARTS CATALOGUE

PREFACE

This illustrated parts manual is specially prepared for customers to facilitate the use of 226B series diesel engine in operation and tenance.

The illustrations are grouped under the heading of each assembly and numbered individually.Part.

No.,Quantity,Model,English designation,Chinese designation and so on are written in the parts list .
The parts catalogue include detailed assembling parts list of diesel engine ,some parts can not be sold ,if you want to know selling part matters,please ask weichai power spare part resource CO.,LTD.

With the development of technology and production,the versions of the diesel engine will be increased, so the catalogue will be revised.Please pay attention to our revised edition.After service of this product is authorized to Weichai Power Co.,Ltd ,Consumers can acquire information of this product through www.weichai.com.

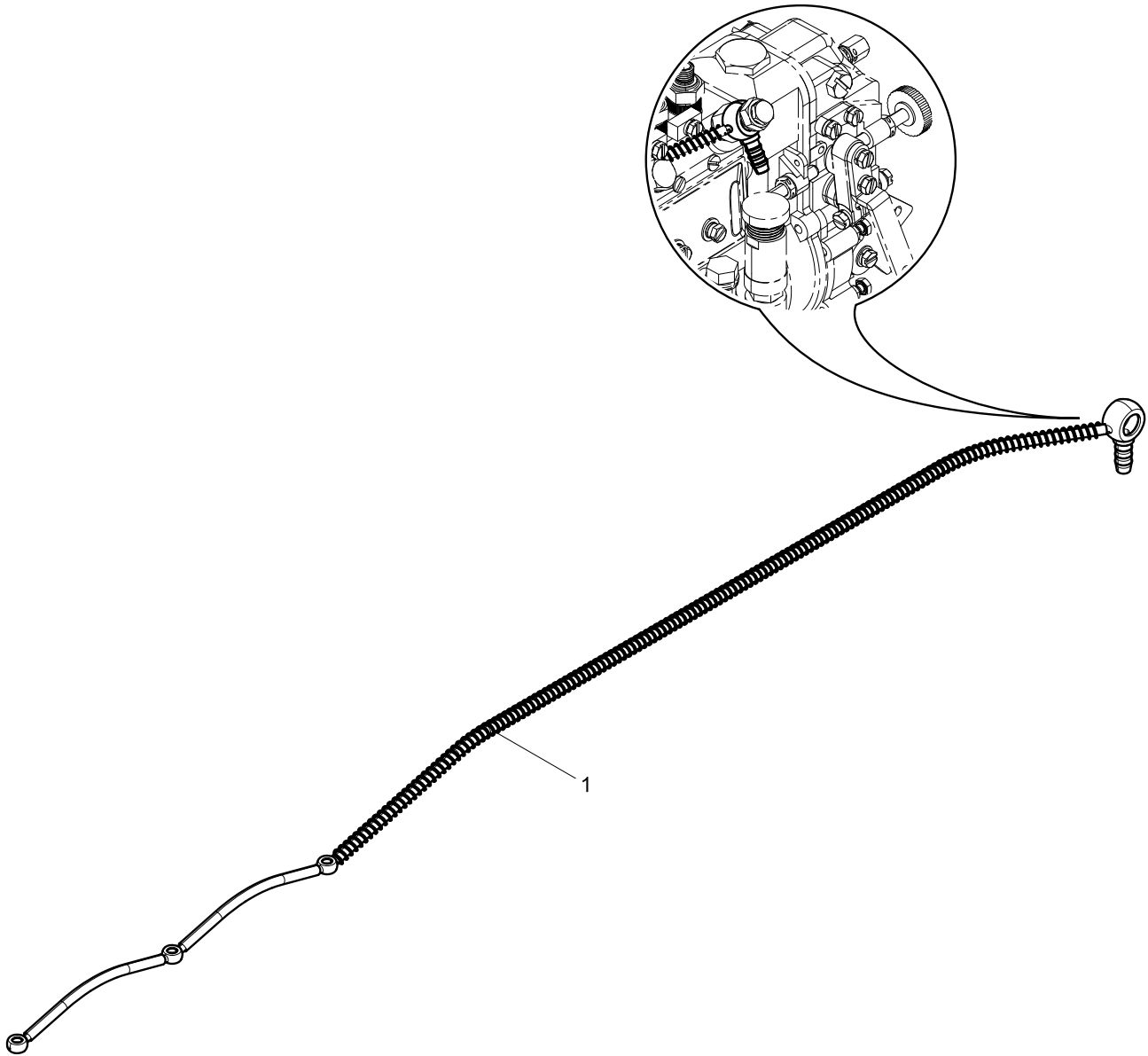
CONTENTS

Injector Return Pipe Group	1
crankcase assembly	3
crankcase assembly	5
Oil Seal Group	7
Rear Oil Seal Cover Set.....	9
Piston Nozzle Set	11
Flywheel Housing Group	13
Gear Housing Group	15
Front End Cover Subassembly	17
Crankshaft Group	19
Main Bearing Set	21
Thrust Bearing Set.....	23
Main Bearing Set.....	25
Thrust Plate Group	27
Flywheel Group	29
Flywheel Assembly	31
Piston and Connecting Rod Group	33
Piston and Connecting Rod Group.....	35
Piston Assembly	37
Connecting Rod Assembly.....	39
Connecting Rod Bearing Set.....	41
Cylinder Head Assembly	43
Cylinder Head Subassembly	45
Intake and exhaust valve set.....	47
Cylinder Head Subassembly	49
Rocker Arm Bracket Assembly.....	51
Rocker Arm Set.....	53
Cylinder Head Gasket	55
Cylinder Head Cover Group	57
Oil Inlet Pipe Assembly	59
Camshaft Assembly	61

Valve Train Group	63
Crankshaft Pulley Group	65
.....	67
Oil Pan Assembly	69
Oil Pump Group.....	71
Oil Cooler Group	73
Oil Cooler Coolant Pipe Group	75
Oil Filter Group	77
Filter seat assembly	79
Oil Filter Seat Set	81
Crankcase ventilation unit set.....	83
Water Pump Group	85
Water Pump Pulley Assembly	87
Intermediate plate.....	89
Radiator Group.....	91
Fan.....	93
Fuel Injection Pump Assembly	95
Pipe Joint	97
Injector assembly	99
Fuel Filter Group	101
Fuel Filter	103
High-pressure Fuel Pipe Assembly.....	105
High-pressure Fuel Pipe Assembly	107
Intake Manifold Group	109
Turbocharger Group	111
Oil pipe assembly of turbocharger	113
Air Filter Group.....	115
Air Filter	117
Exhaust manifold Assembly.....	119
Hydraulic pump cover assembly	121

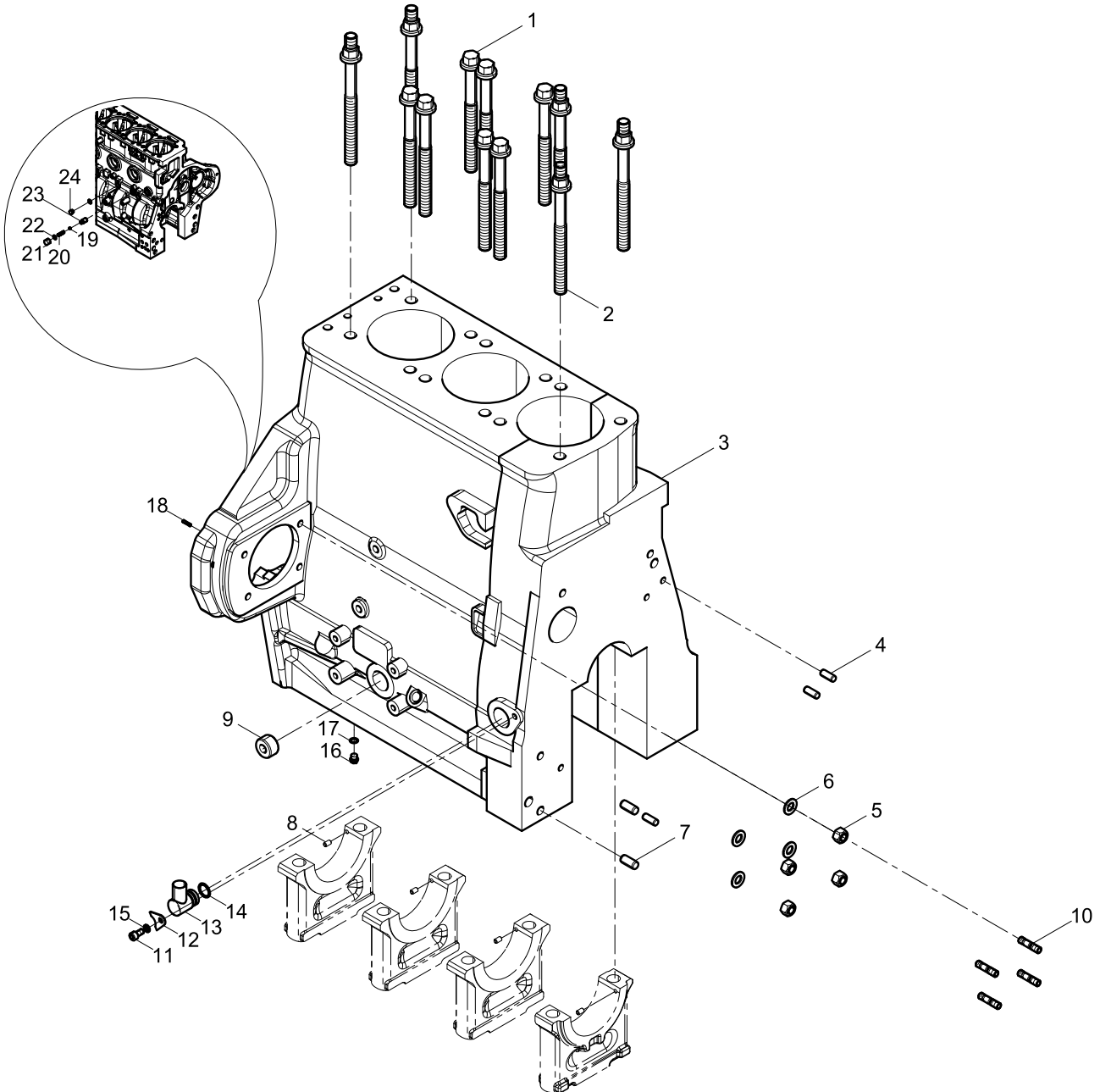
Starter Motor Group	123
Engine Bracket Group.....	125
Packing Box Chassis Parts Group.....	127
Alternator Group	129
Alternator Bracket Assembly	131

Injector Return Pipe Group



1

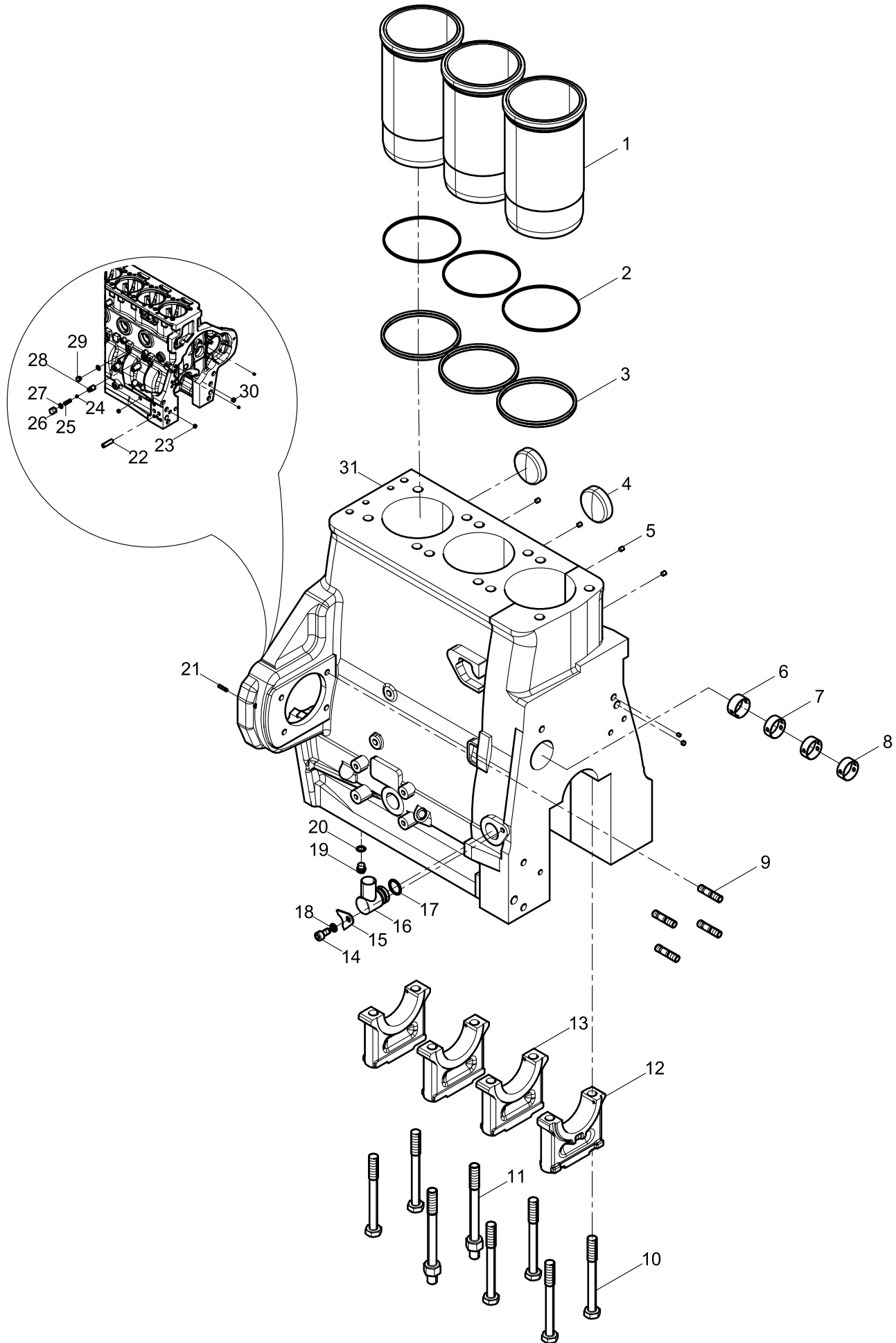
crankcase assembly



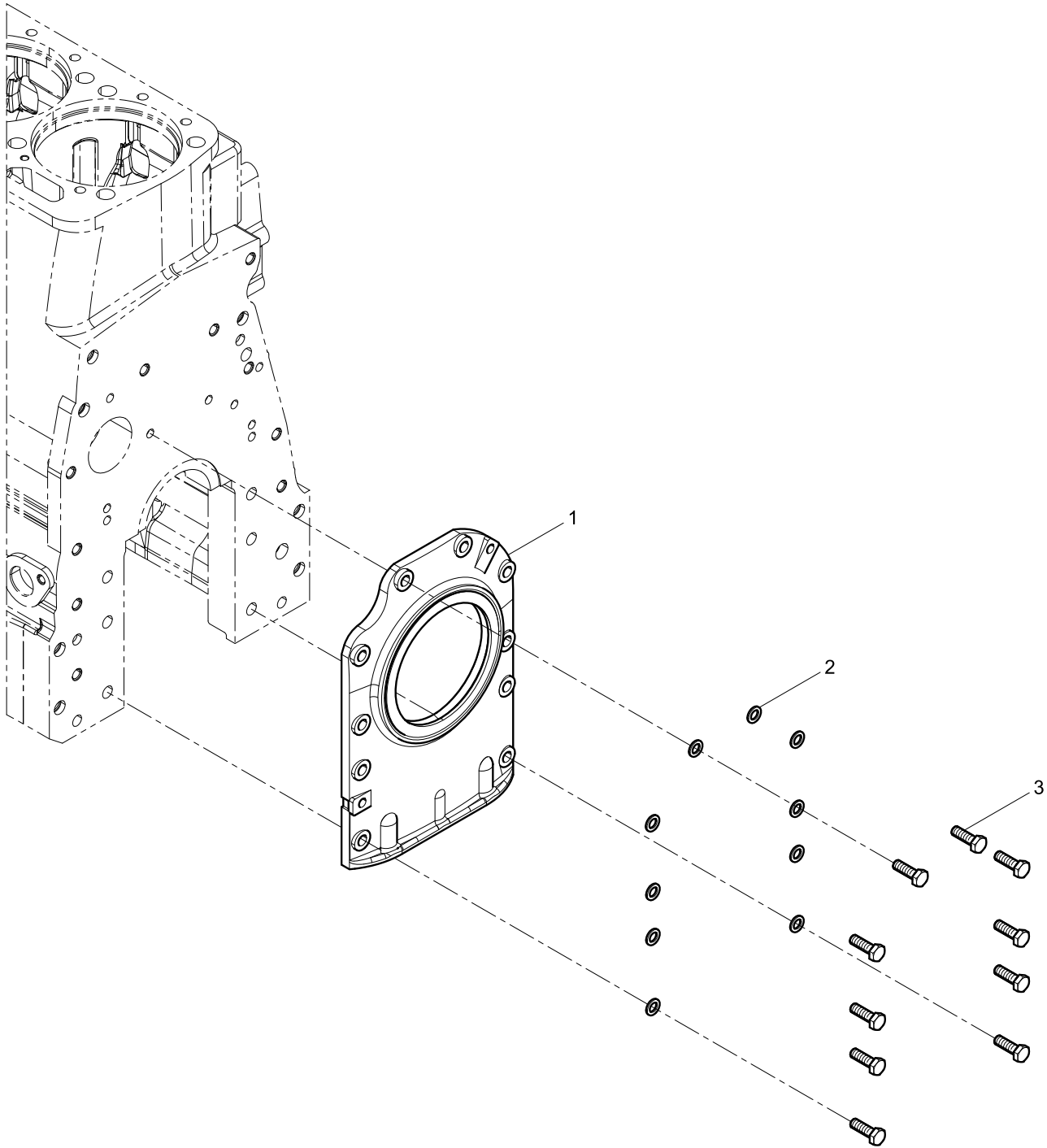
crankcase assembly

Pos.	Teile.Number	Amount	Designation
1	13037377	7	Cylinder Head Bolt
2	13037379	5	Cylinder Head Bolt
3	12273345	1	crankcase assembly
4	90003901420	3	Parallel Pin
5	90003888452	4	Prevailing Torque Type All-metal Hexagon Nut,
6	90014040008	4	Plain Washer
7	90015210010	2	Parallel Pin
8	90015100005	4	Spring-Type Straight Pin, Slotted, Heavy Duty
9	12159445	1	Sleeves
10	90003813532S	4	Double End Stud
11	01151498	1	Inner Hexagon Socket Head Cap Screw
12	12160129	1	Plate
13	12160117	1	Pipe
14	01153869	1	O-ring
15	90003931102	1	Spring Washer
16	01151453	1	Hexagon Screw Plug
17	13057039	1	Assembled Sealing Washer
18	90011520047	1	Double End Stud
19	90016210018	1	Steel Ball
20	01221356	1	Return Spring
21	12167057	1	Acorn Hexagon Nut
22	13023361	1	Assembled Sealing Washer
23	12167053	1	Screw
24	01118952	1	Hexagon Screw Plug

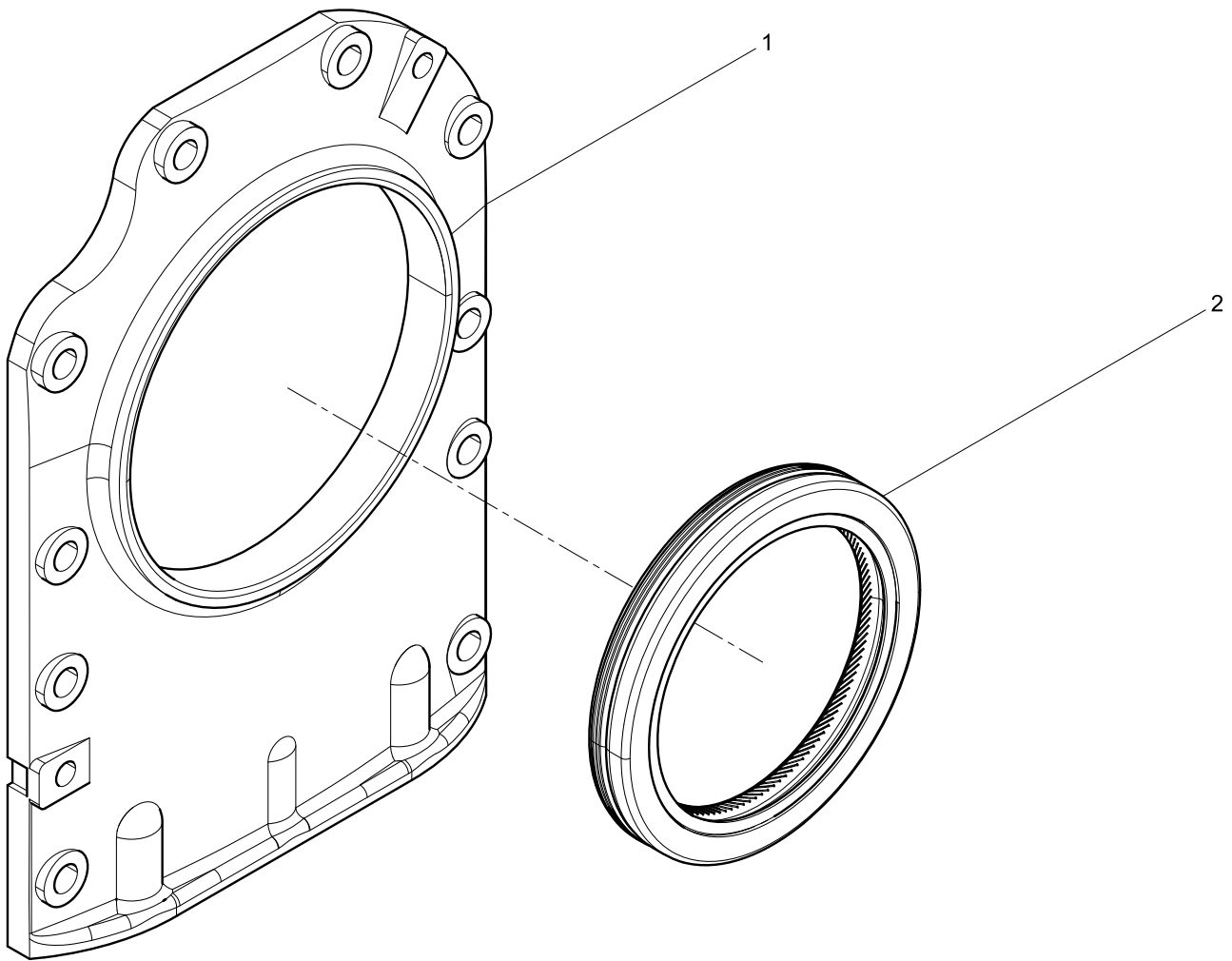
crankcase assembly



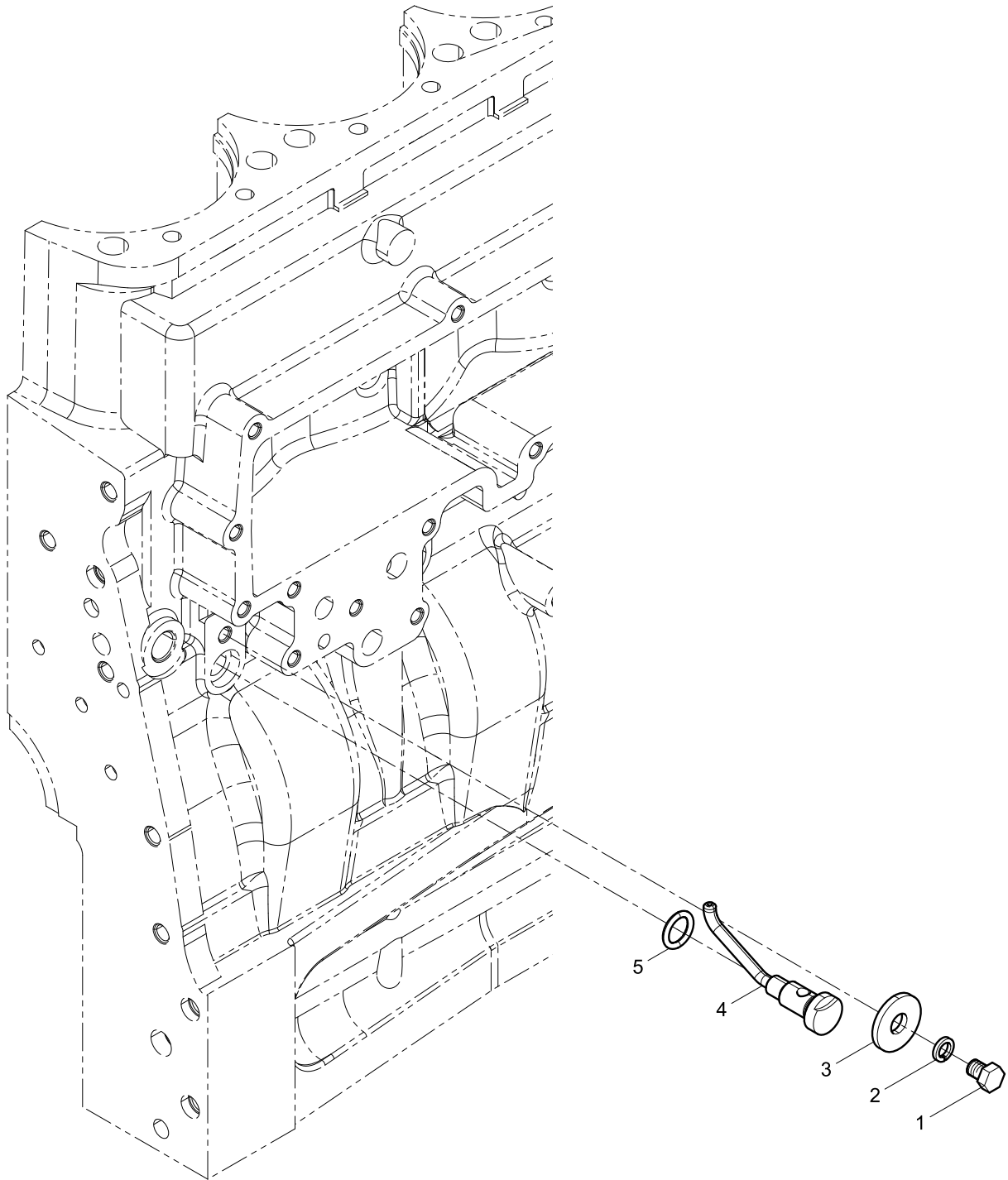
Oil Seal Group



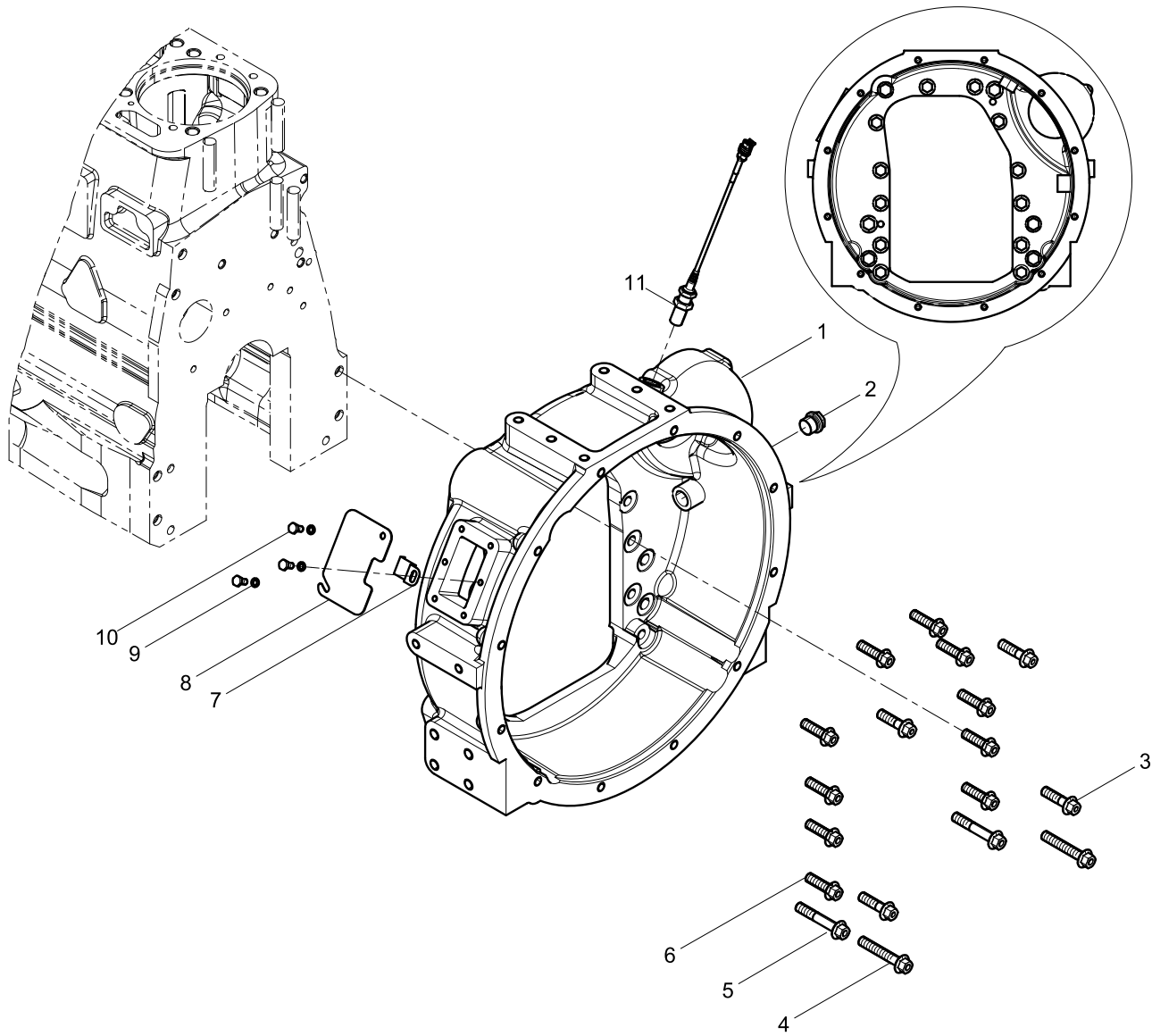
Rear Oil Seal Cover Set



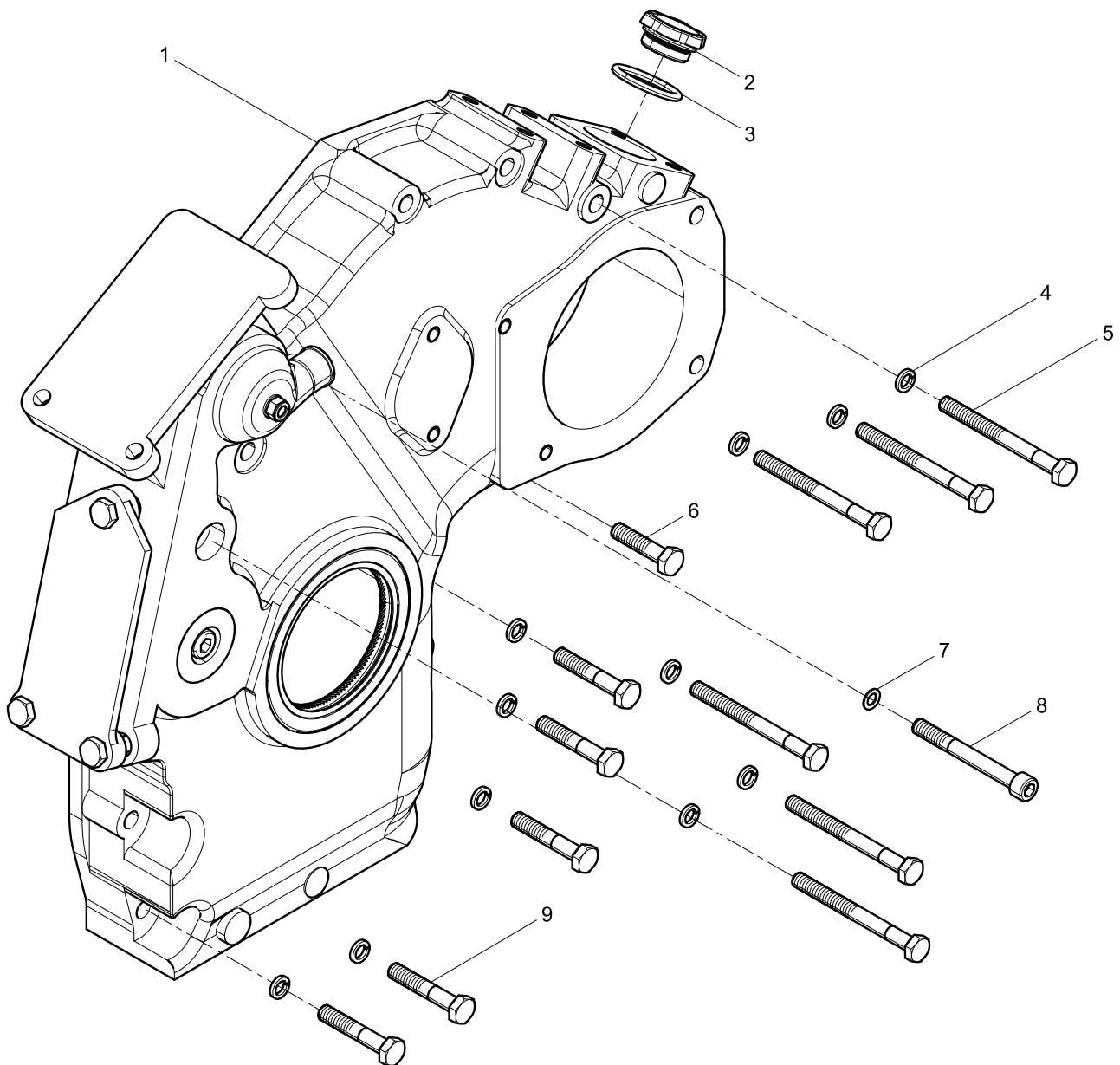
Piston Nozzle Set



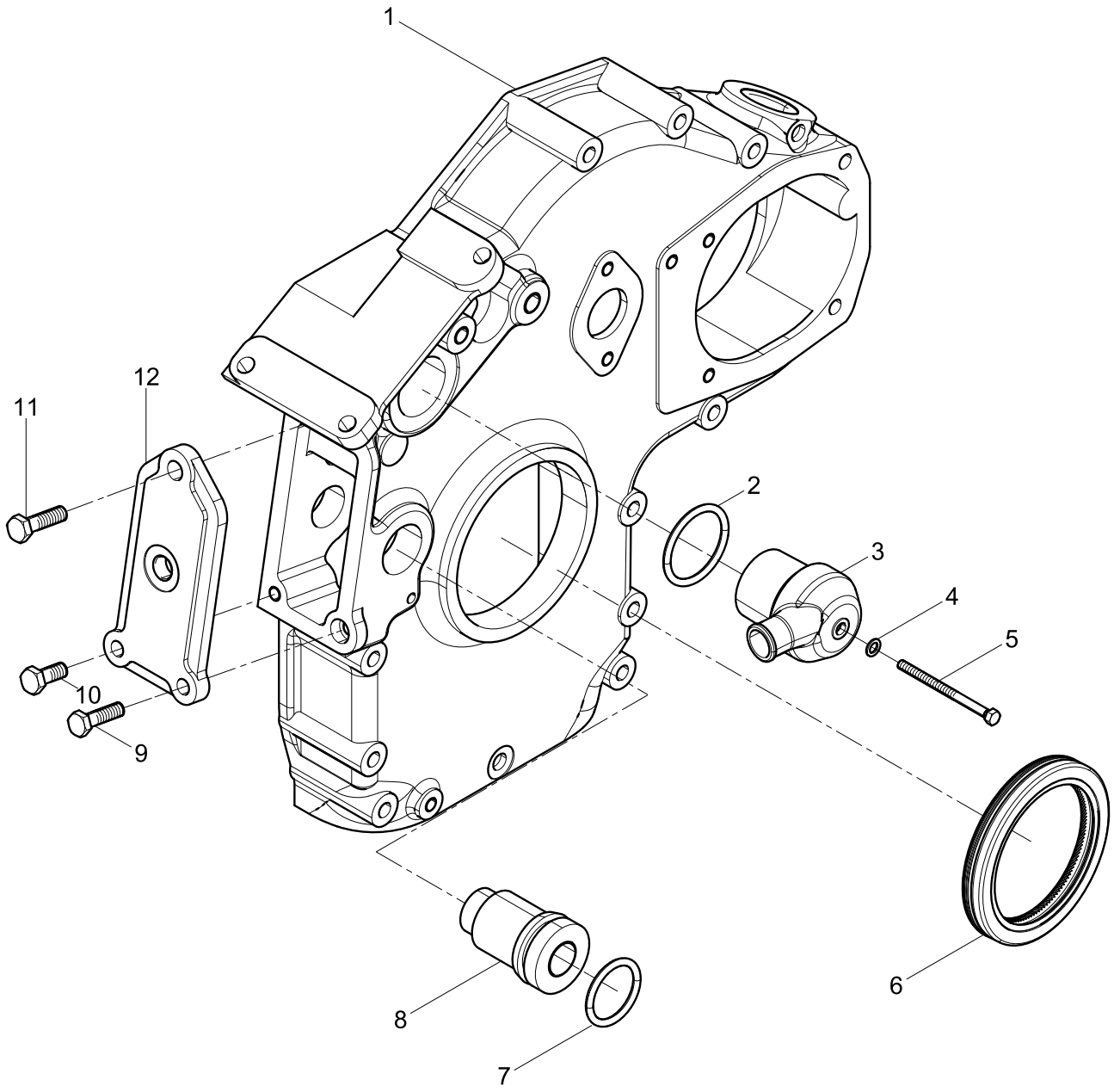
Flywheel Housing Group



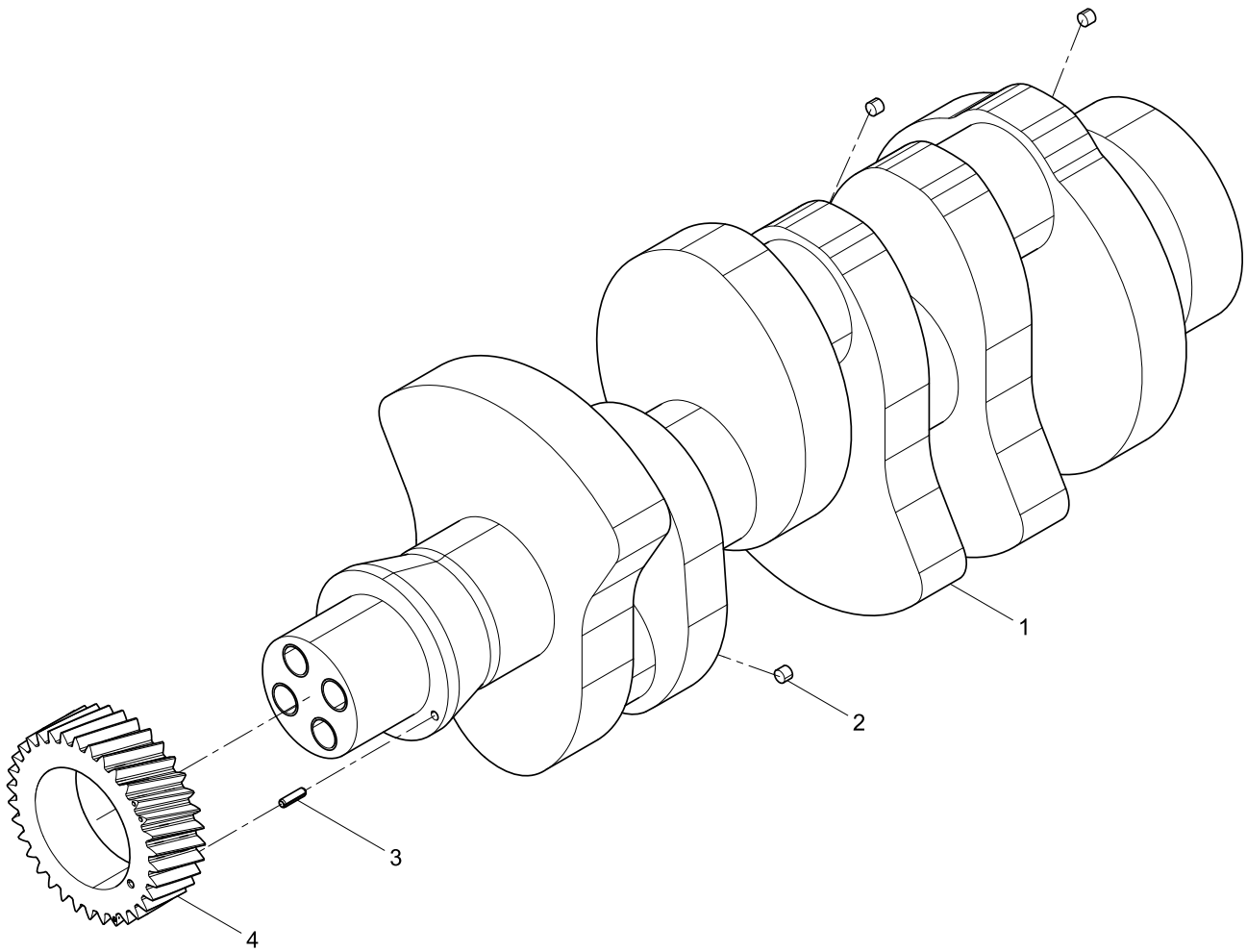
Gear Housing Group



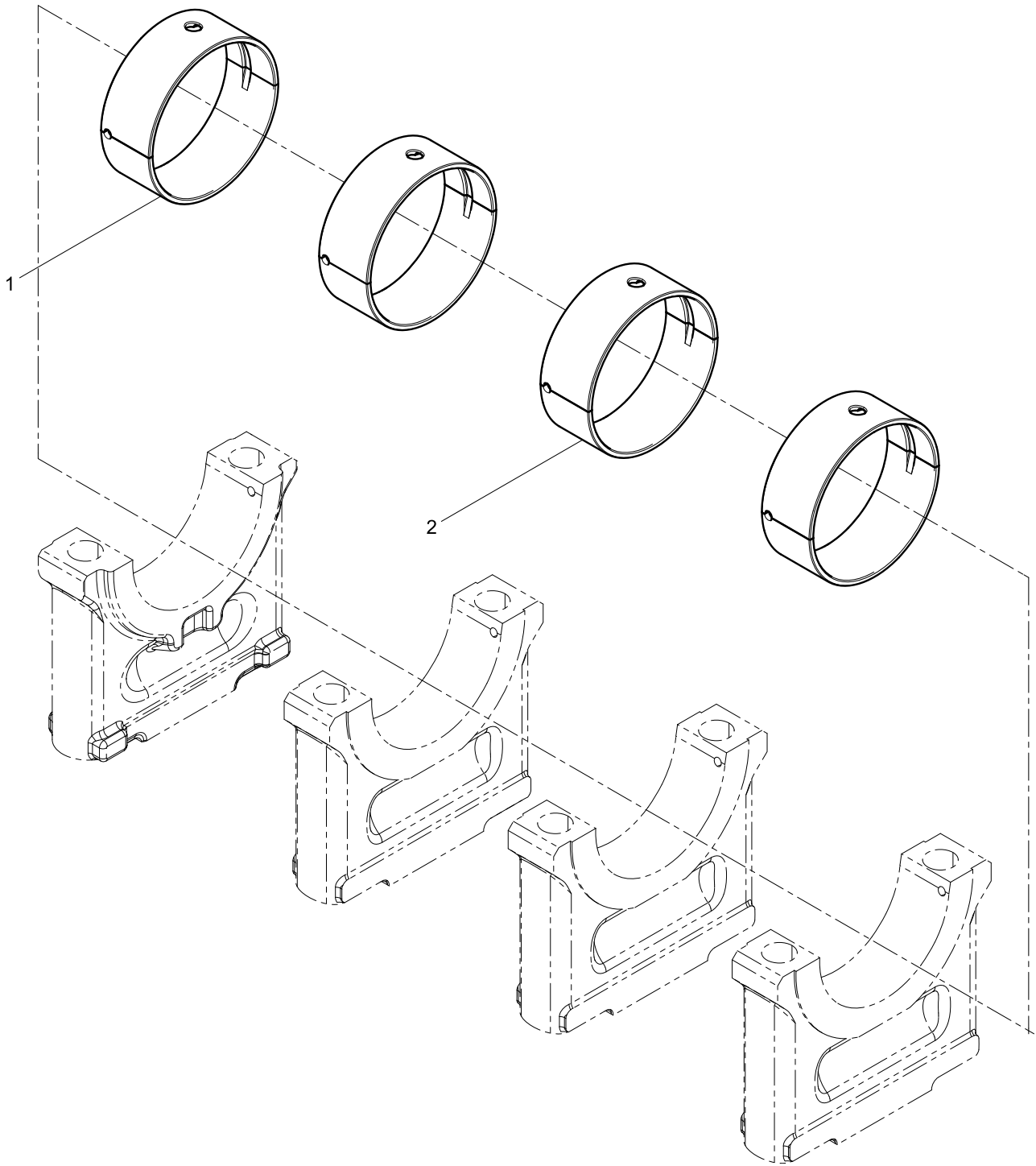
Front End Cover Subassembly



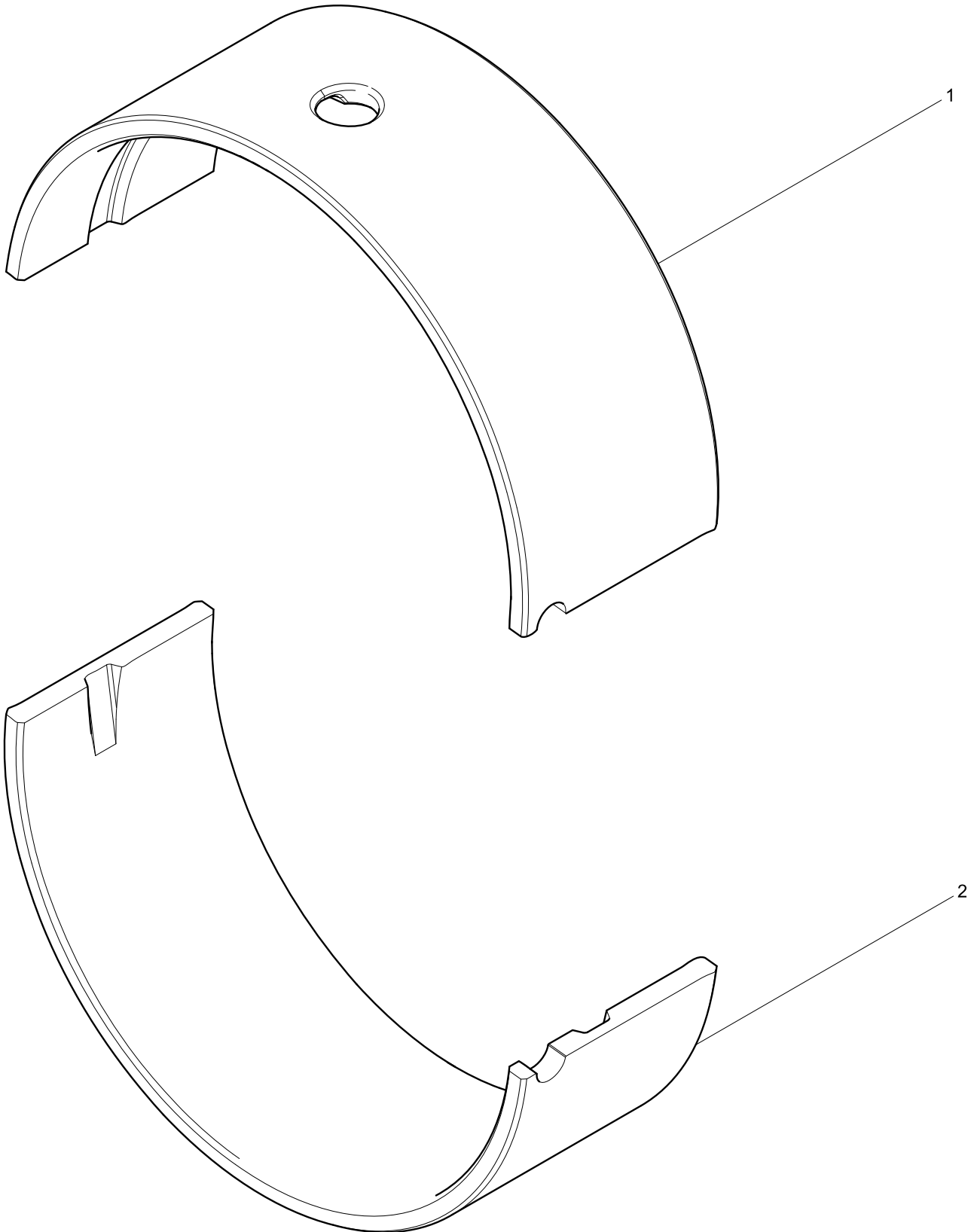
Crankshaft Group



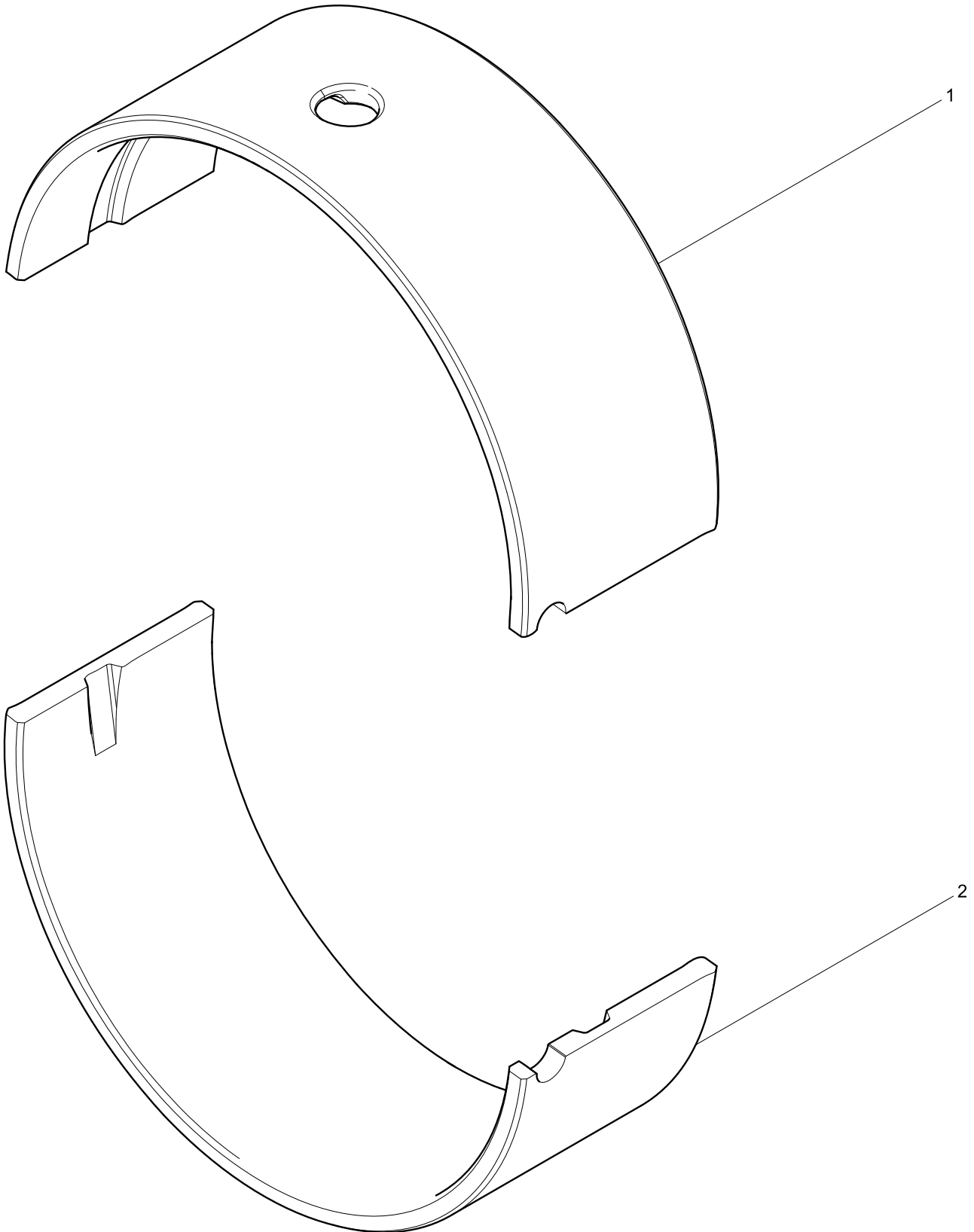
Main Bearing Set



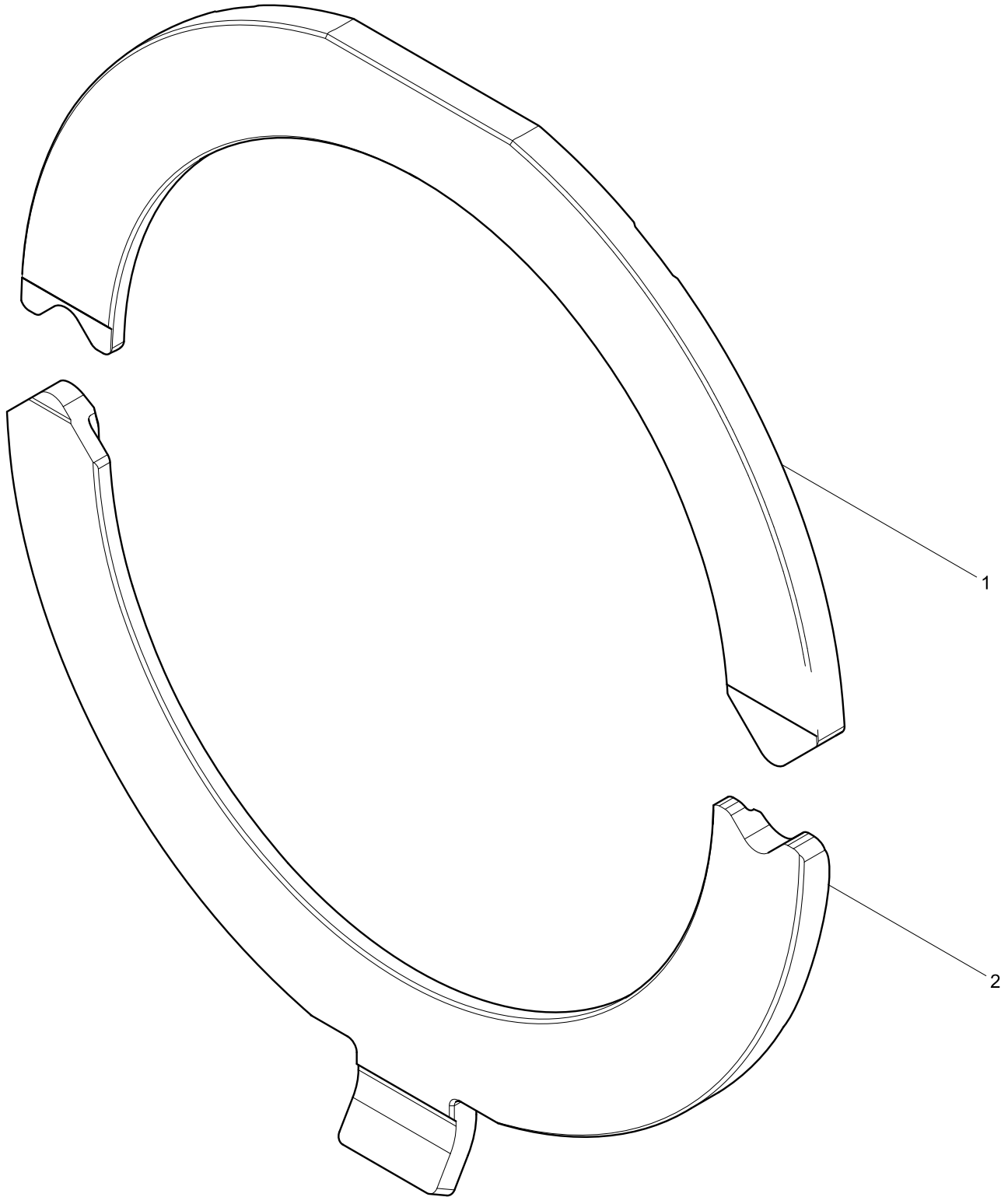
Thrust Bearing Set



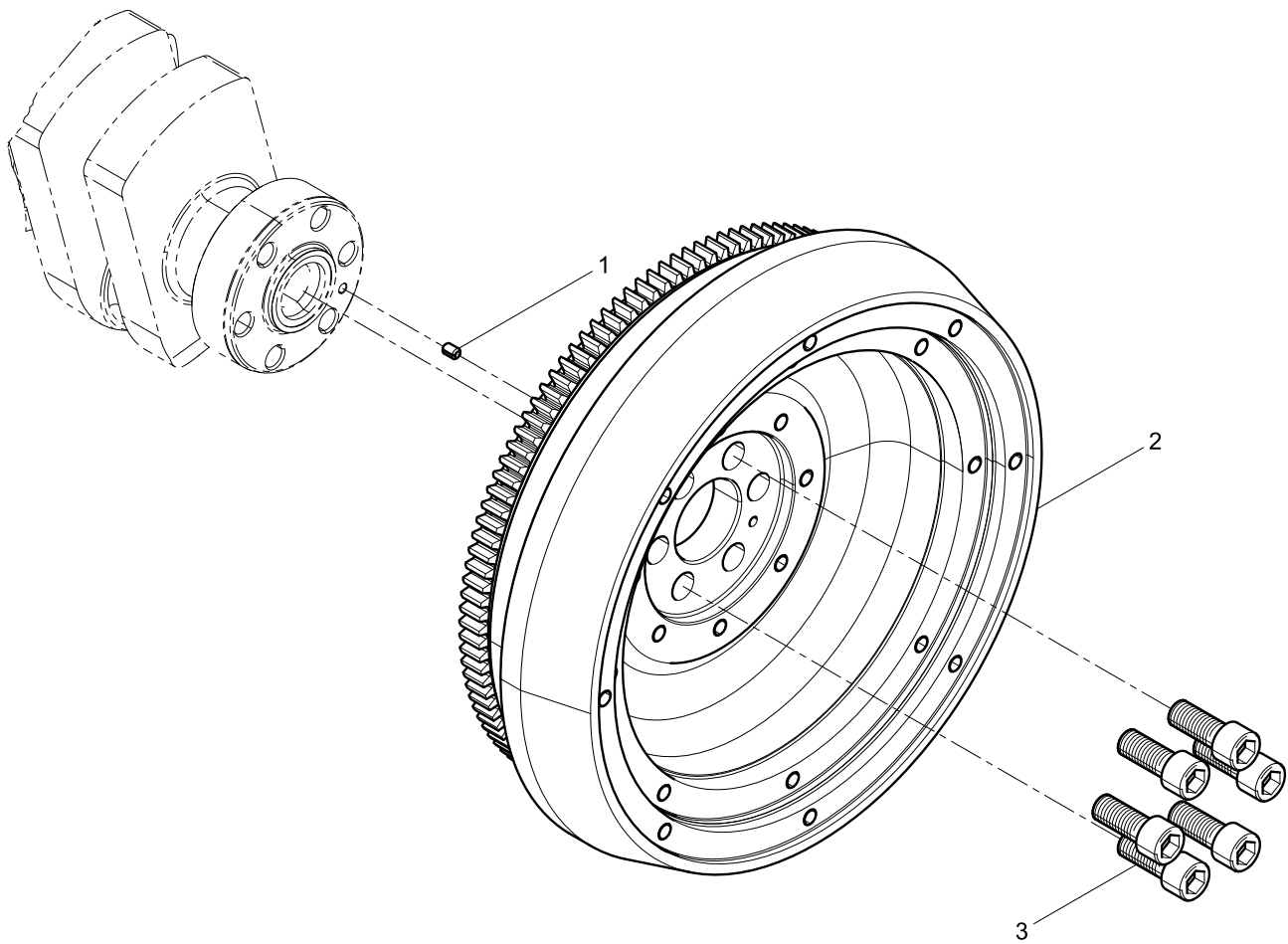
Main Bearing Set



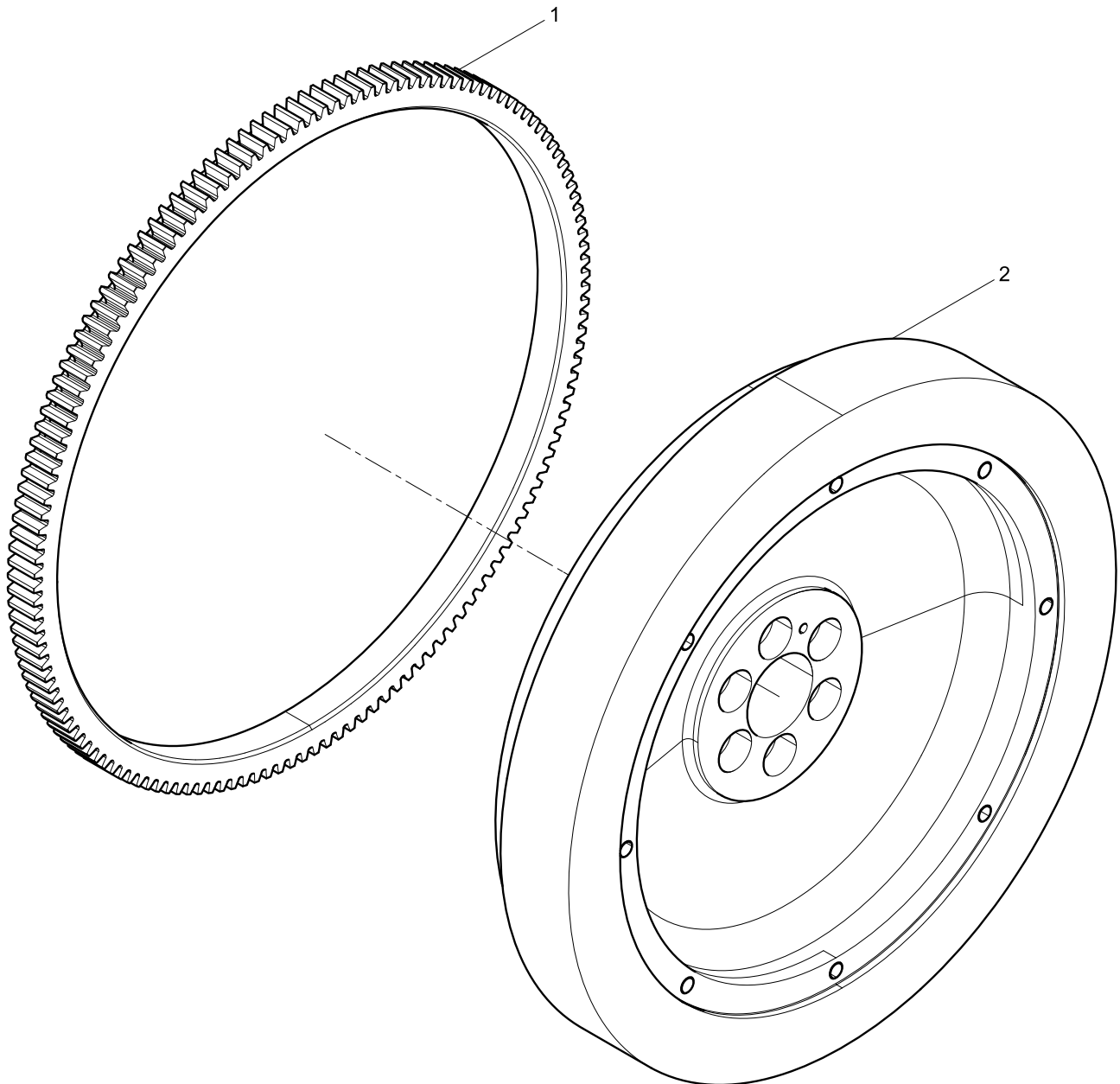
Thrust Plate Group



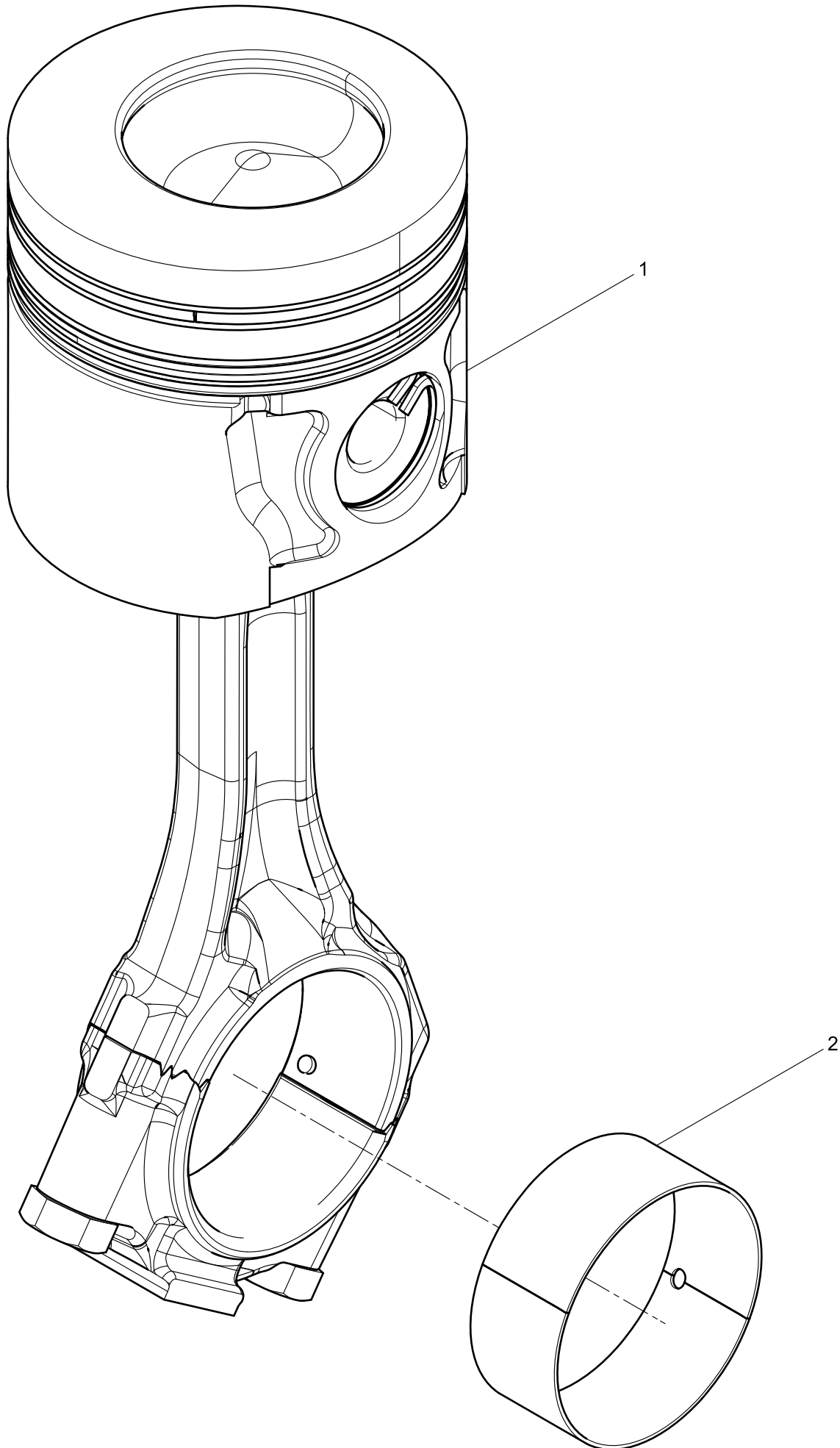
Flywheel Group



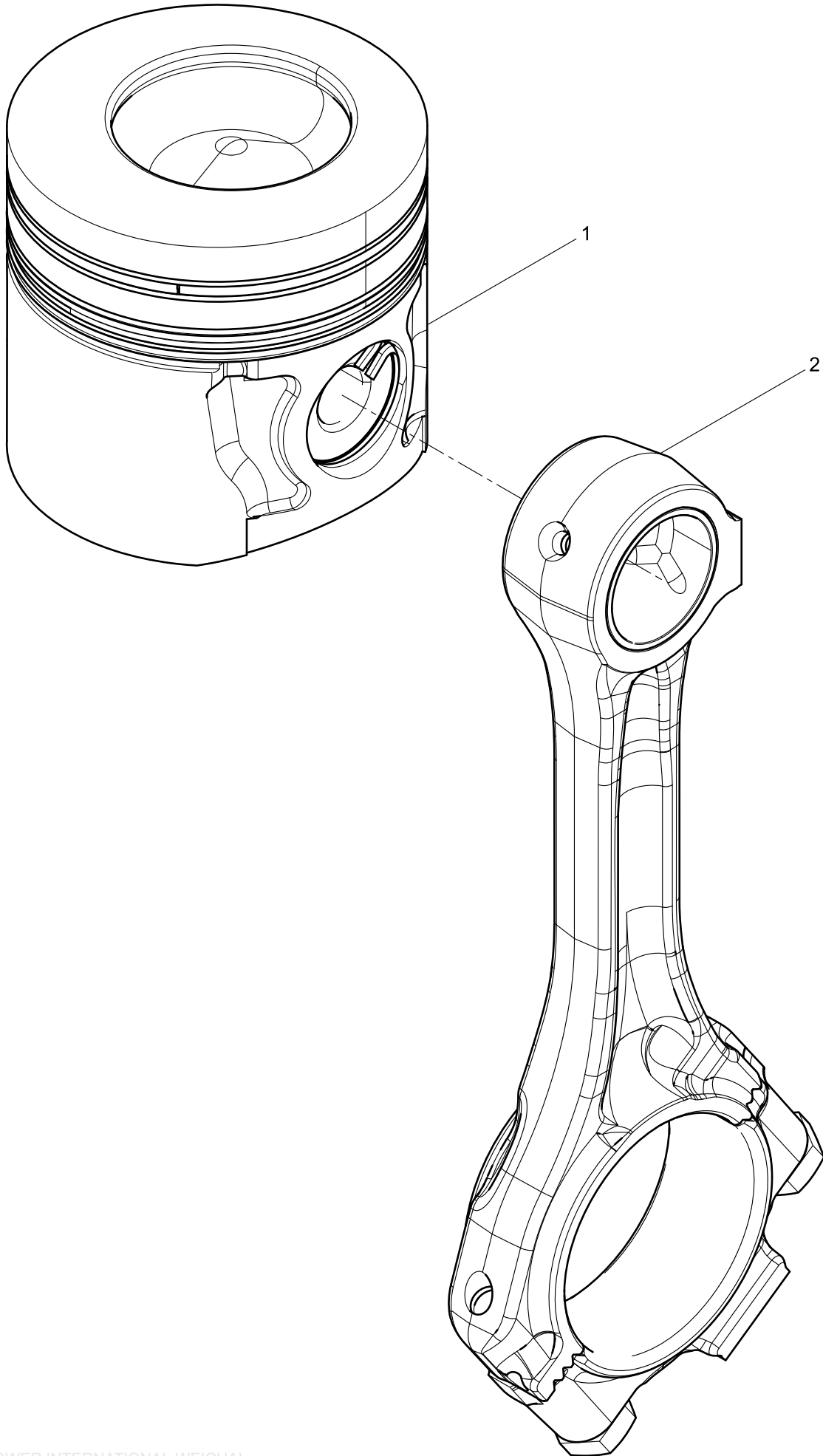
Flywheel Assembly



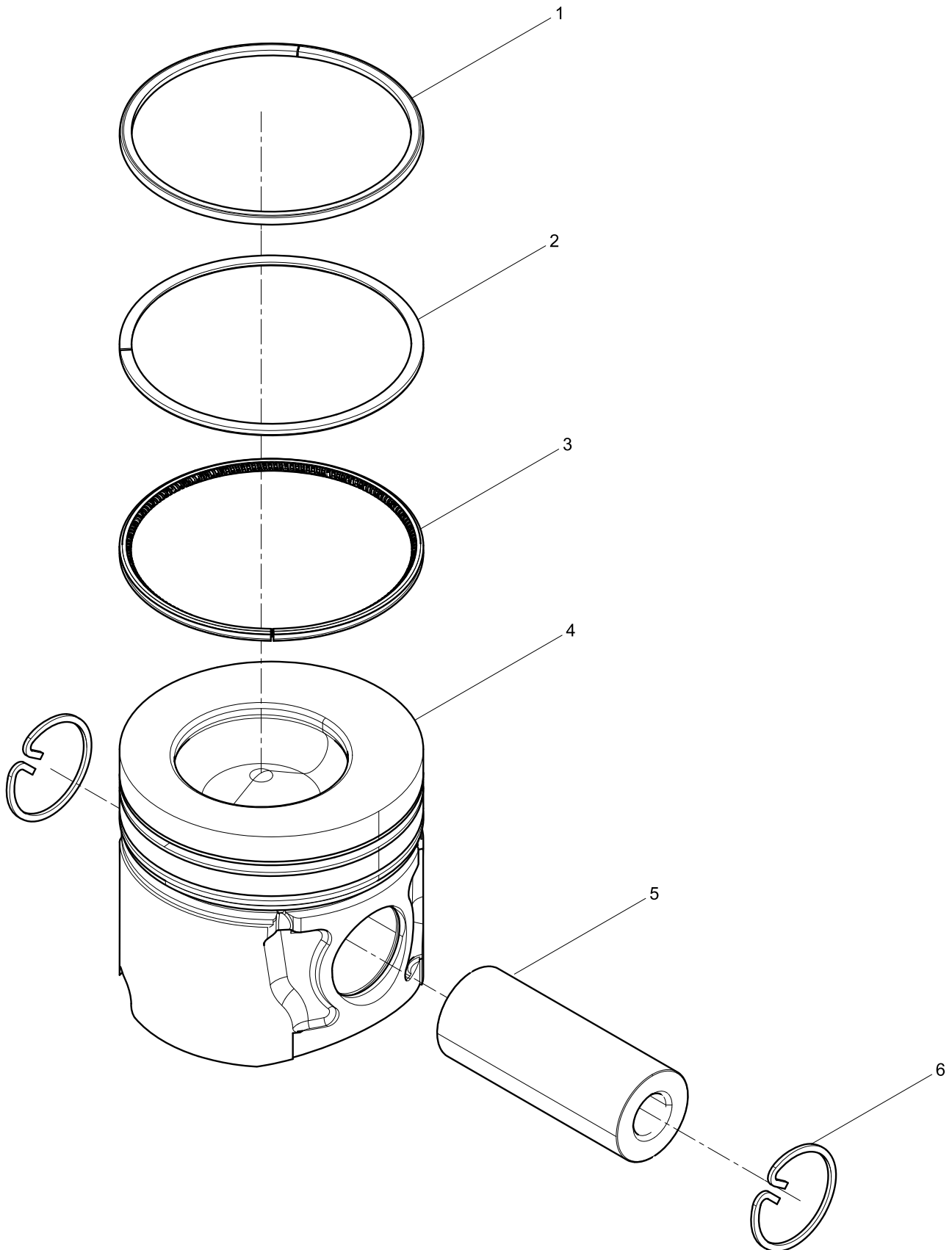
Piston and Connecting Rod Group



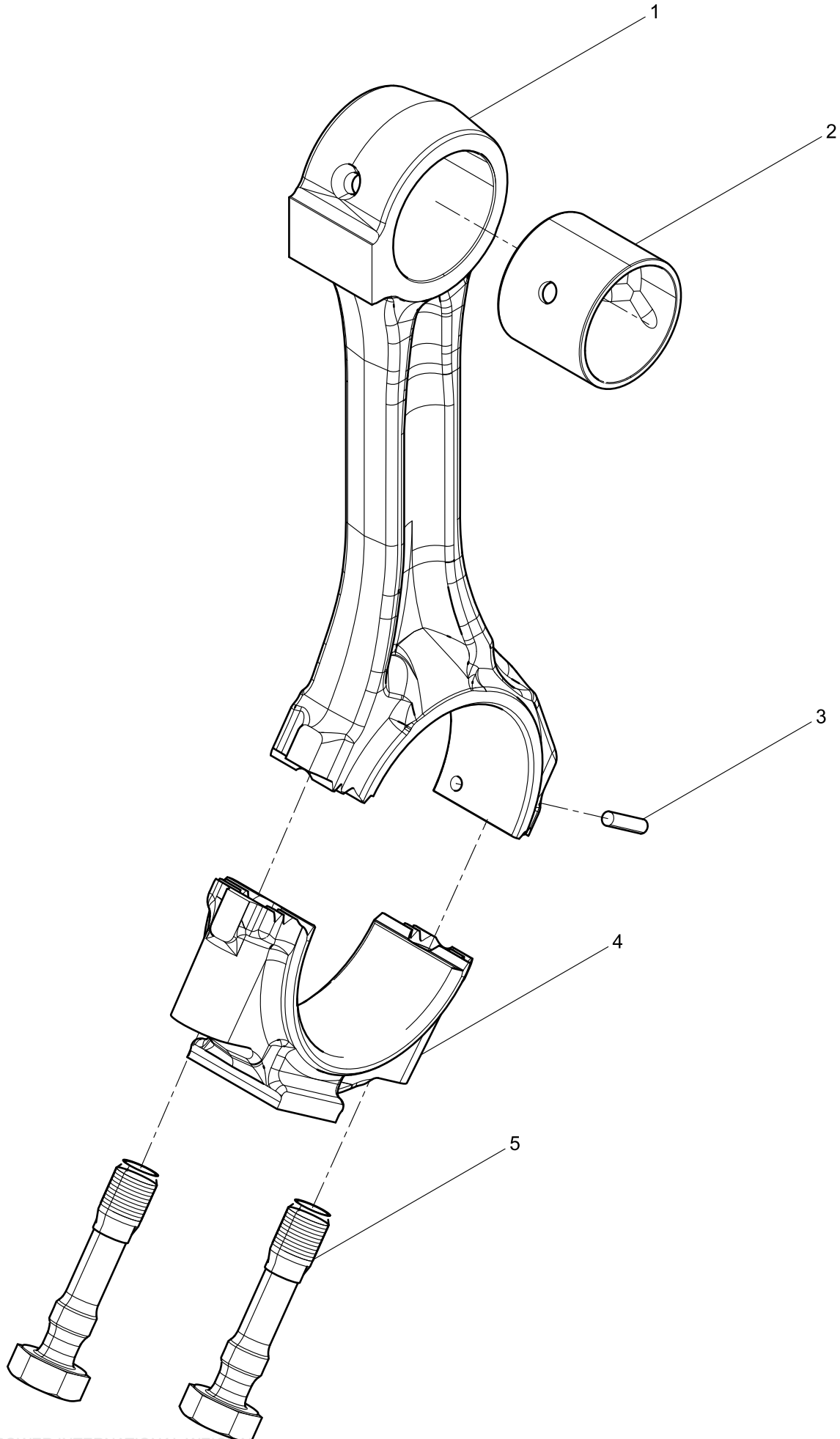
Piston and Connecting Rod Group



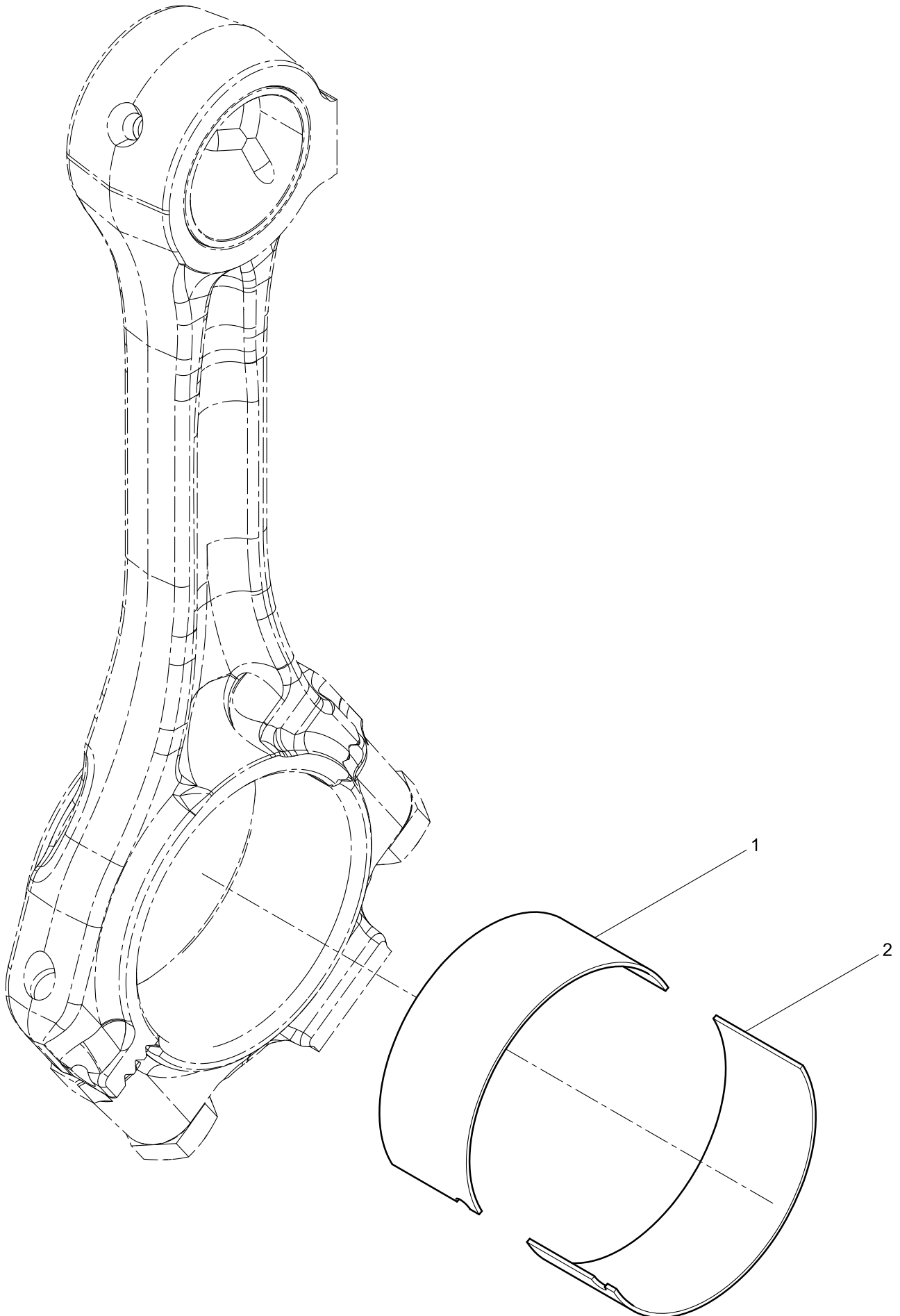
Piston Assembly



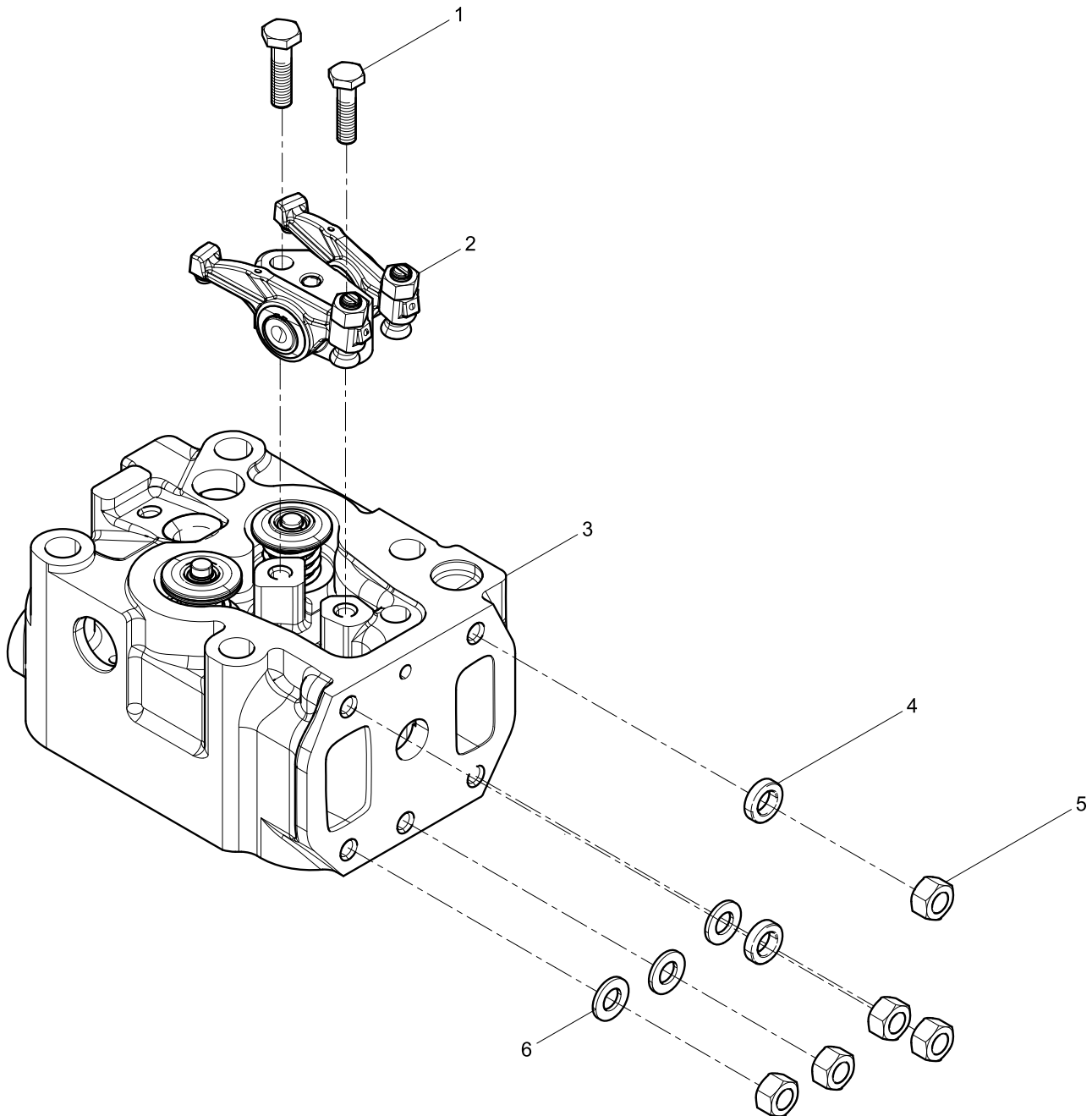
Connecting Rod Assembly



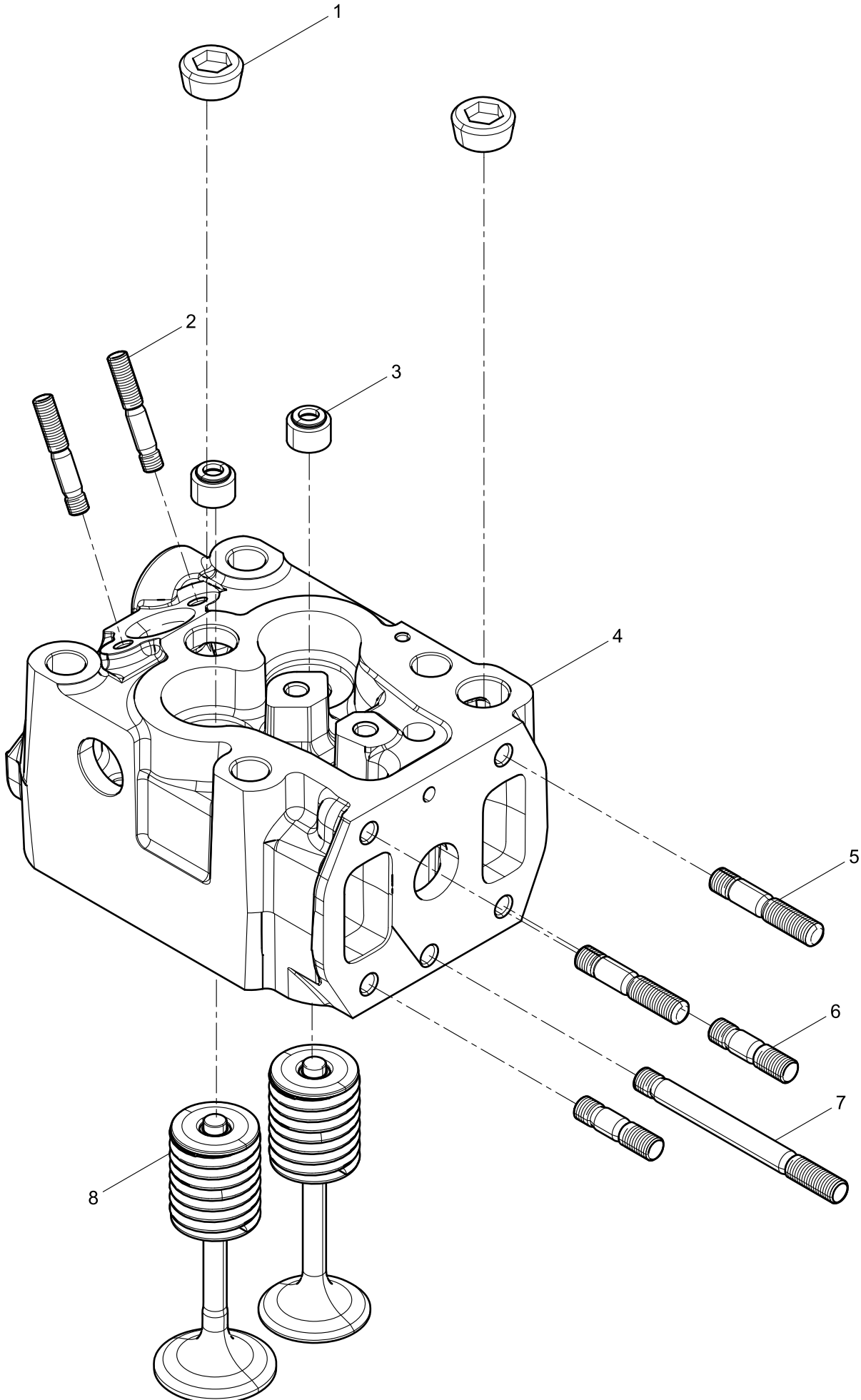
Connecting Rod Bearing Set



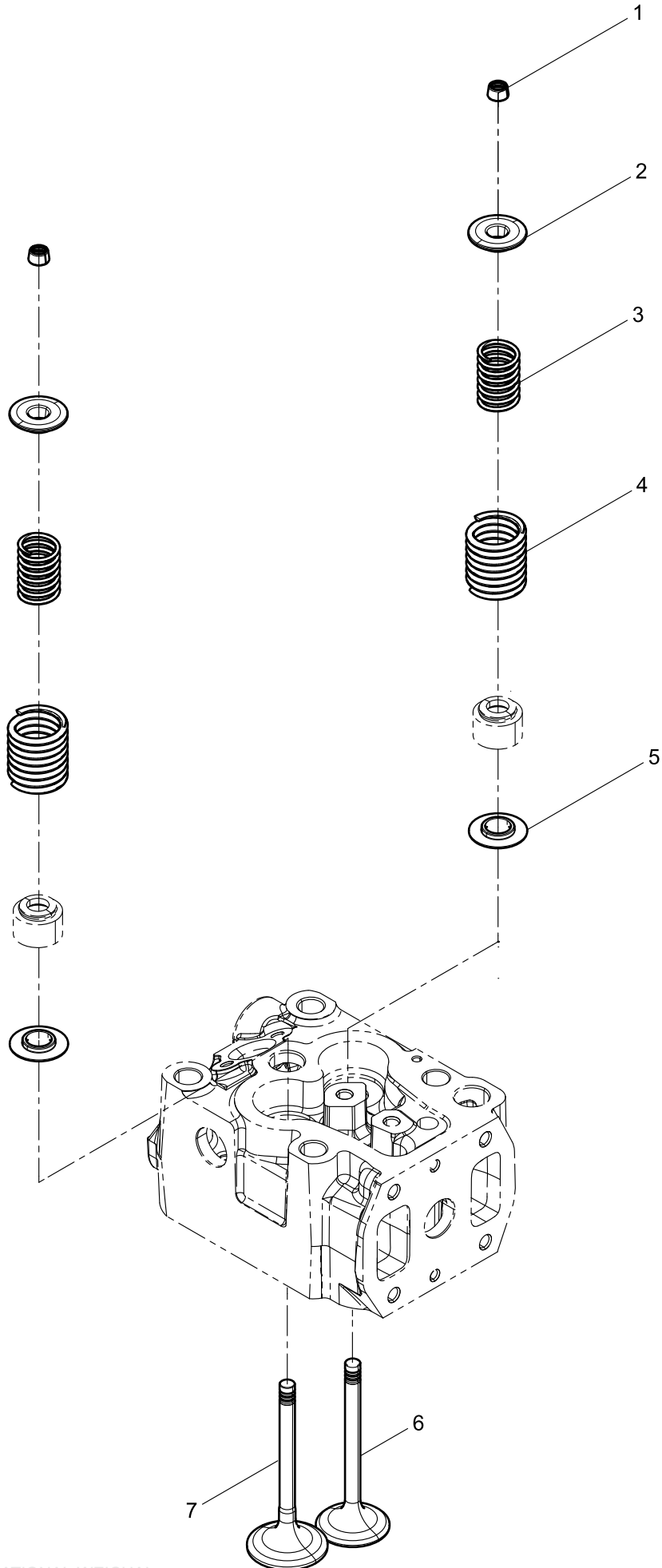
Cylinder Head Assembly



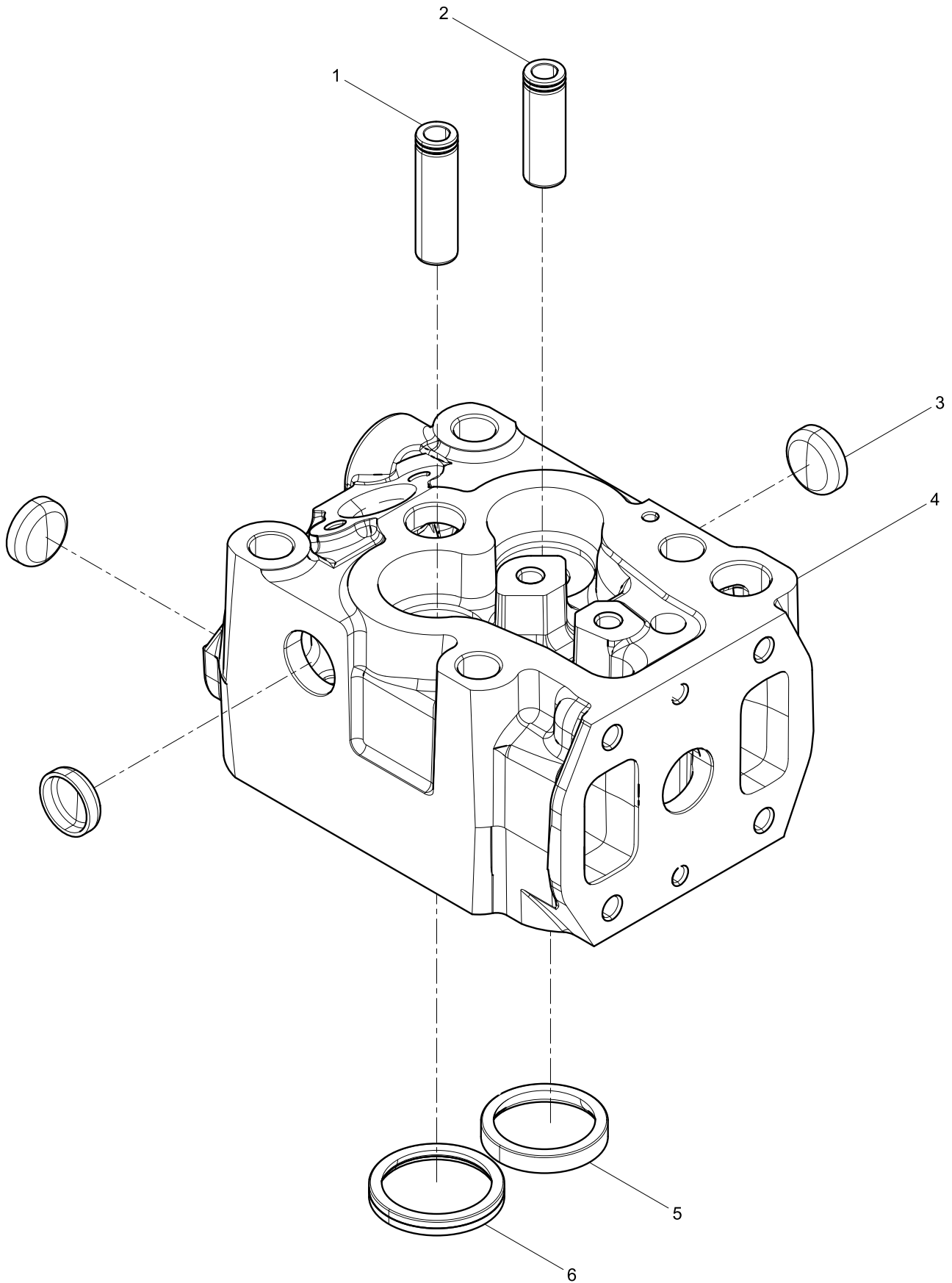
Cylinder Head Subassembly



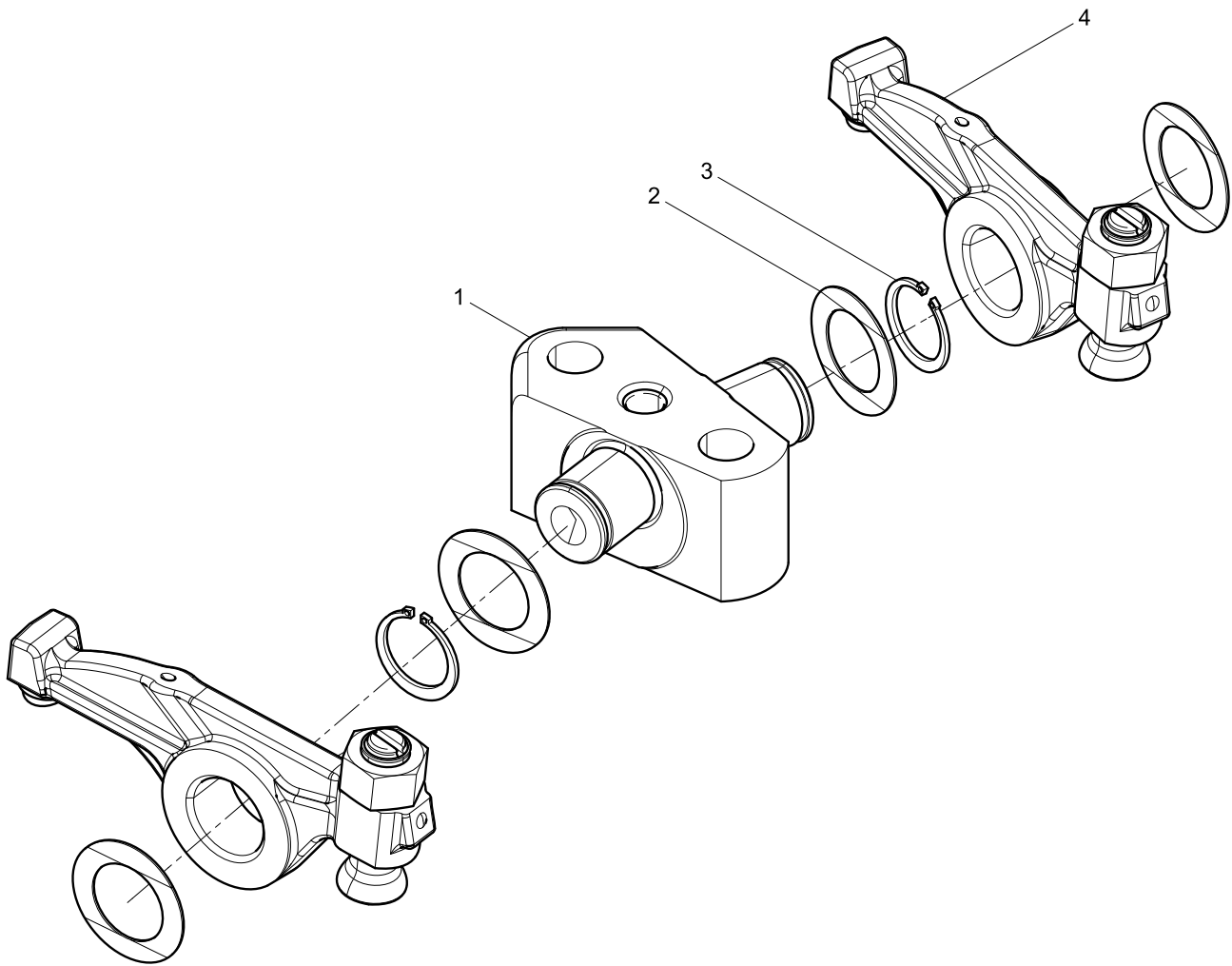
Intake and exhaust valve set



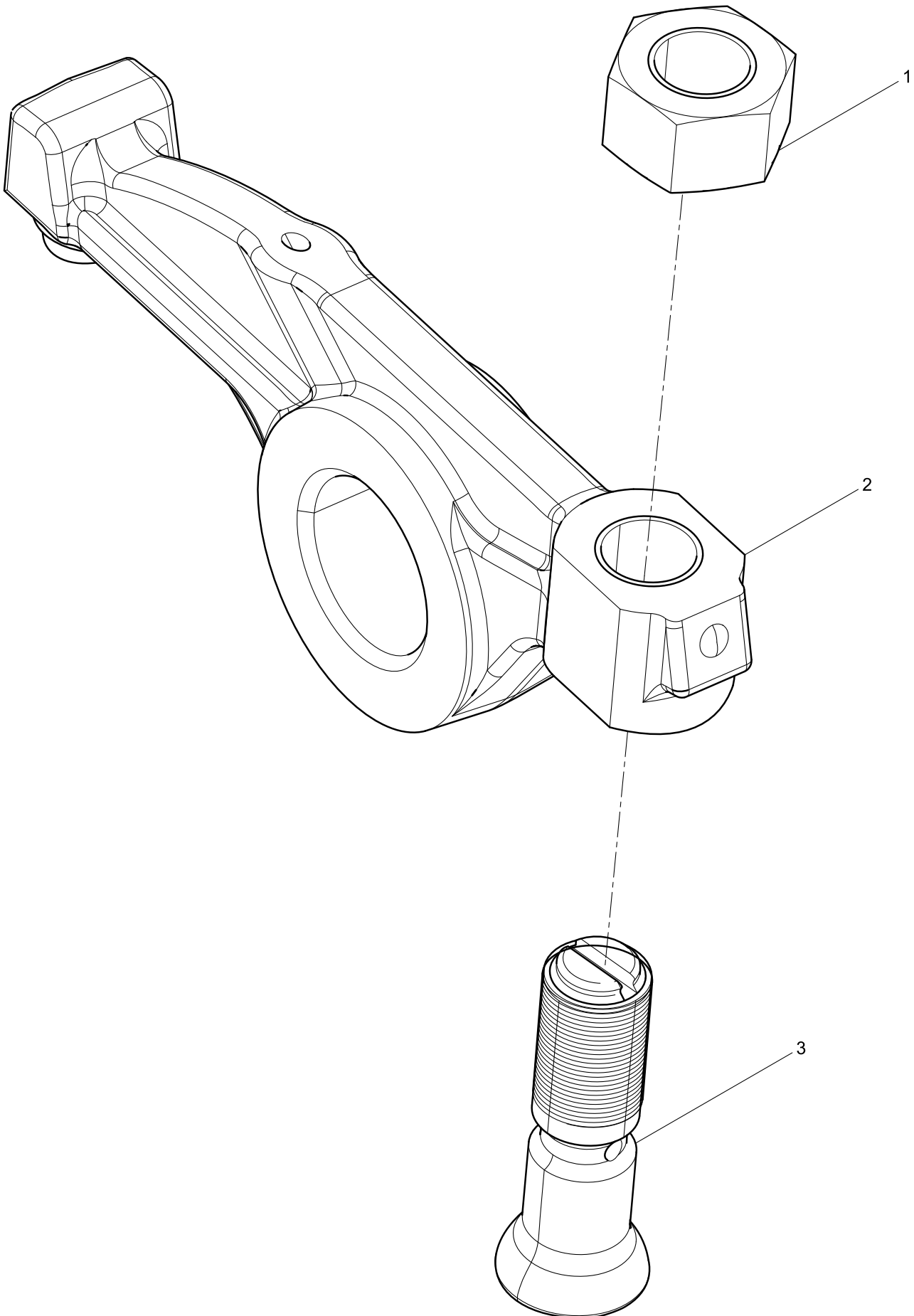
Cylinder Head Subassembly



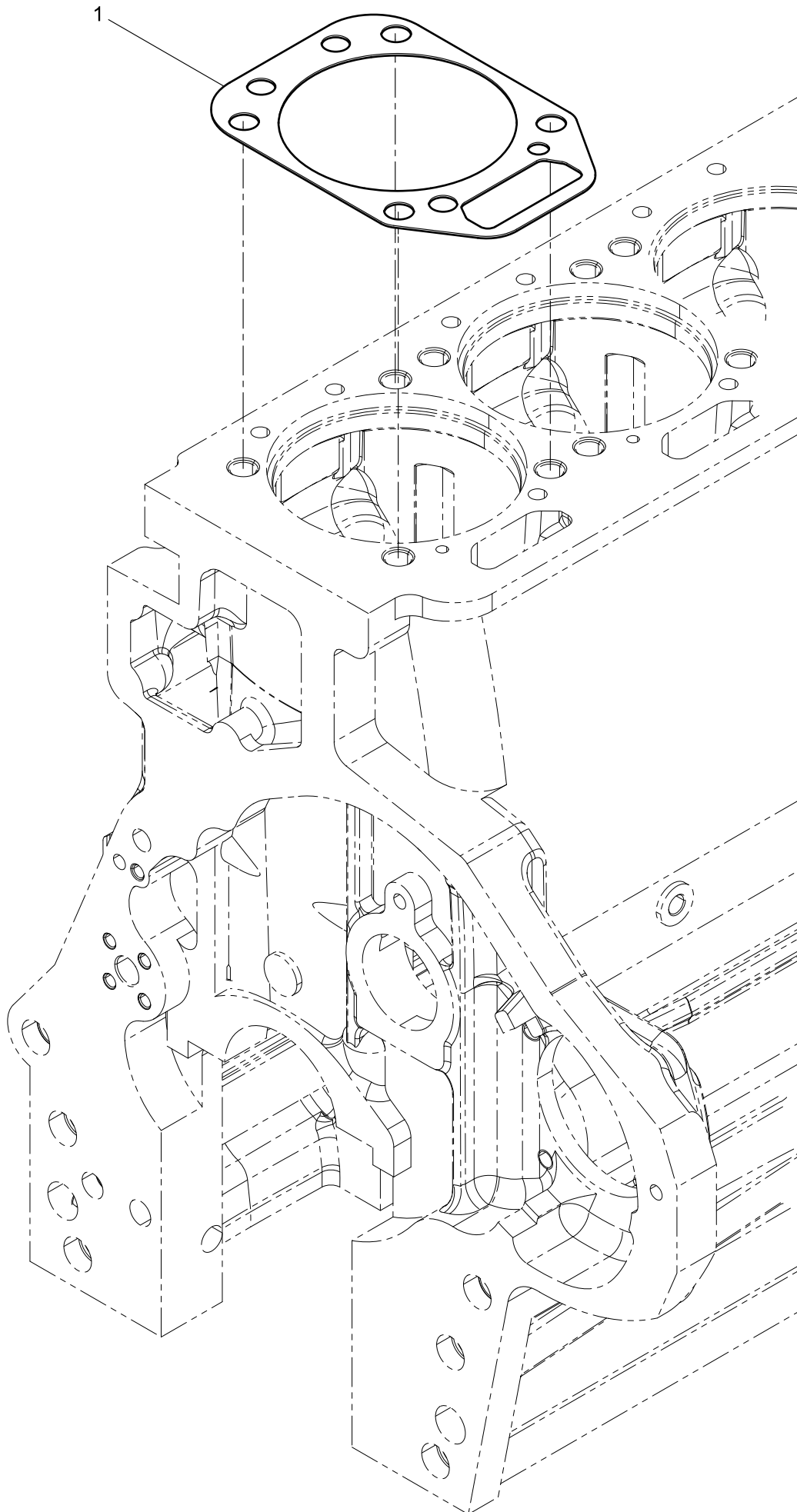
Rocker Arm Bracket Assembly



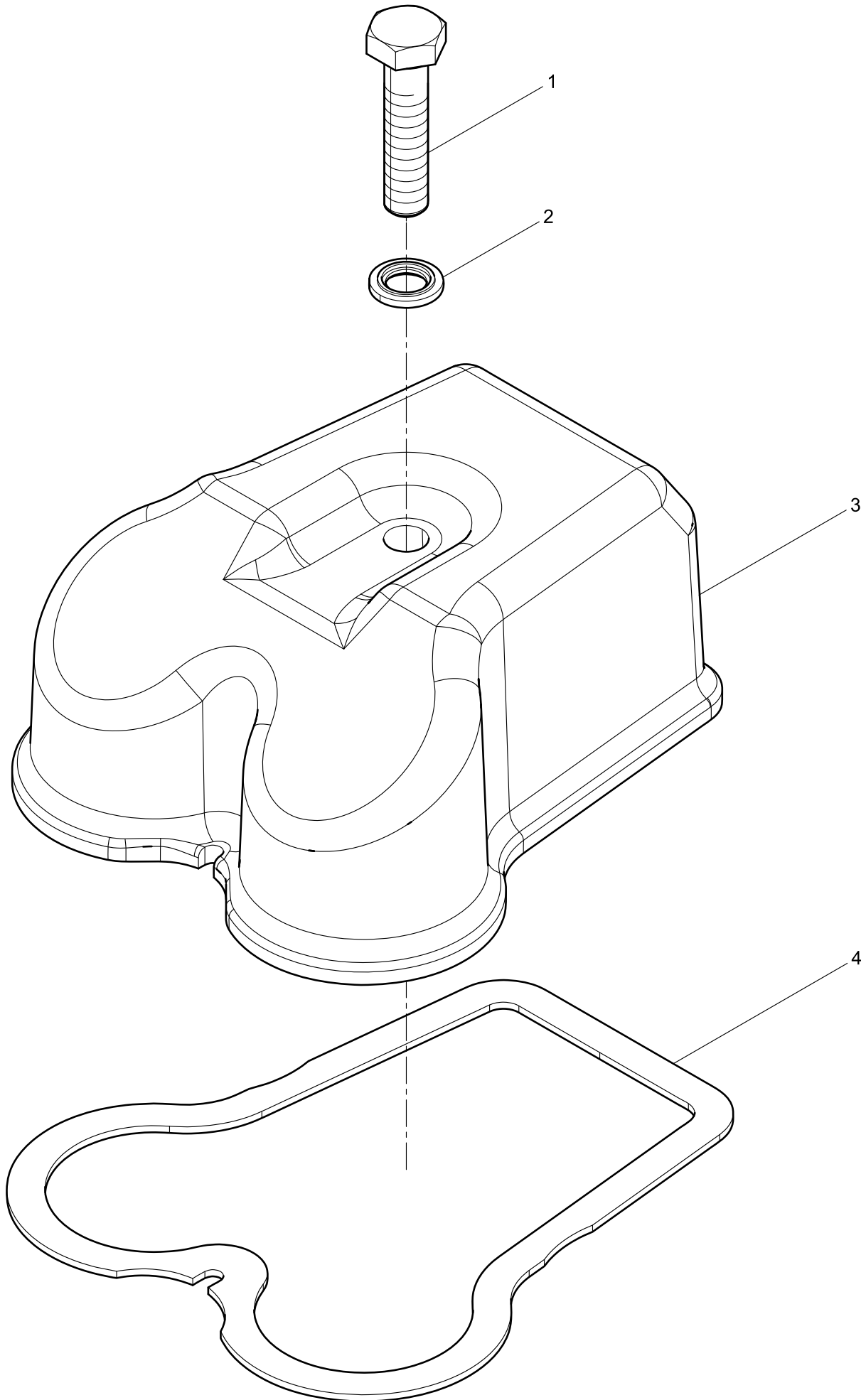
Rocker Arm Set



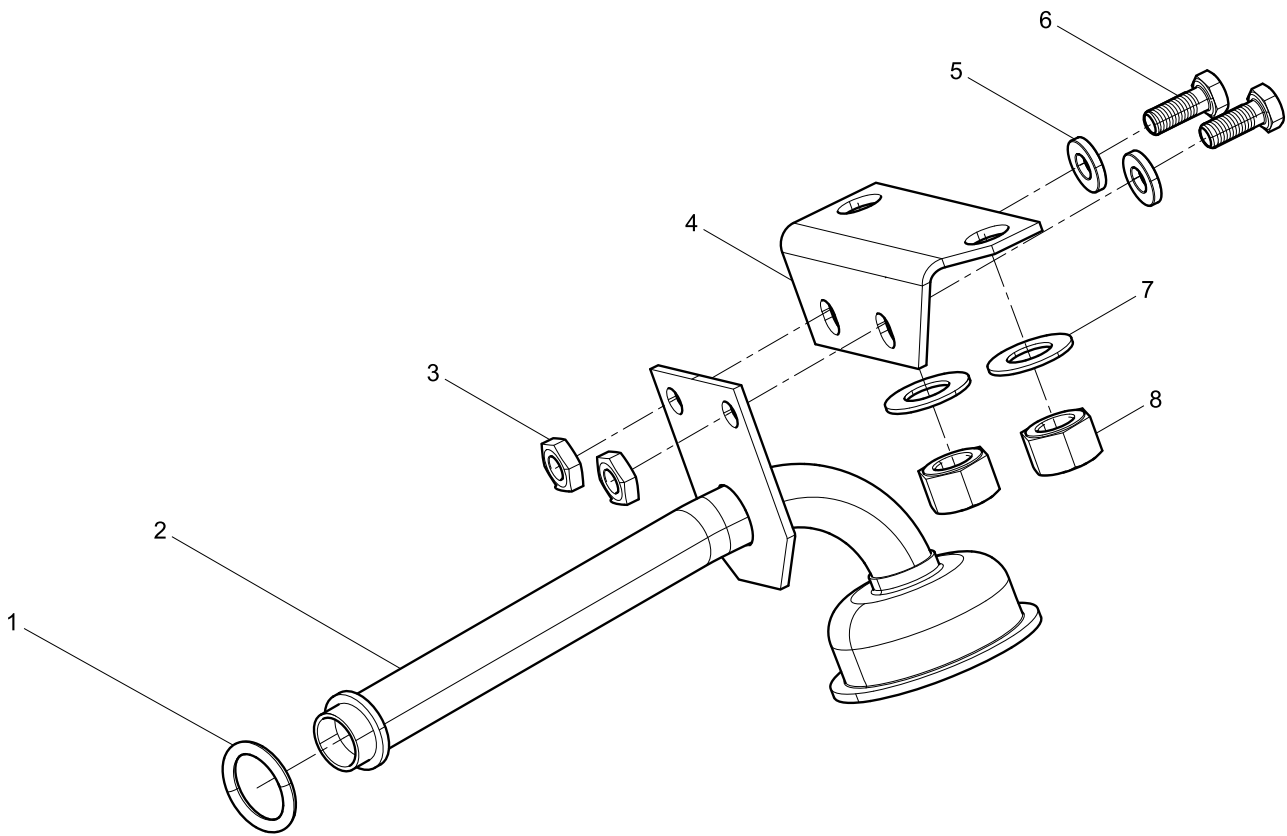
Cylinder Head Gasket



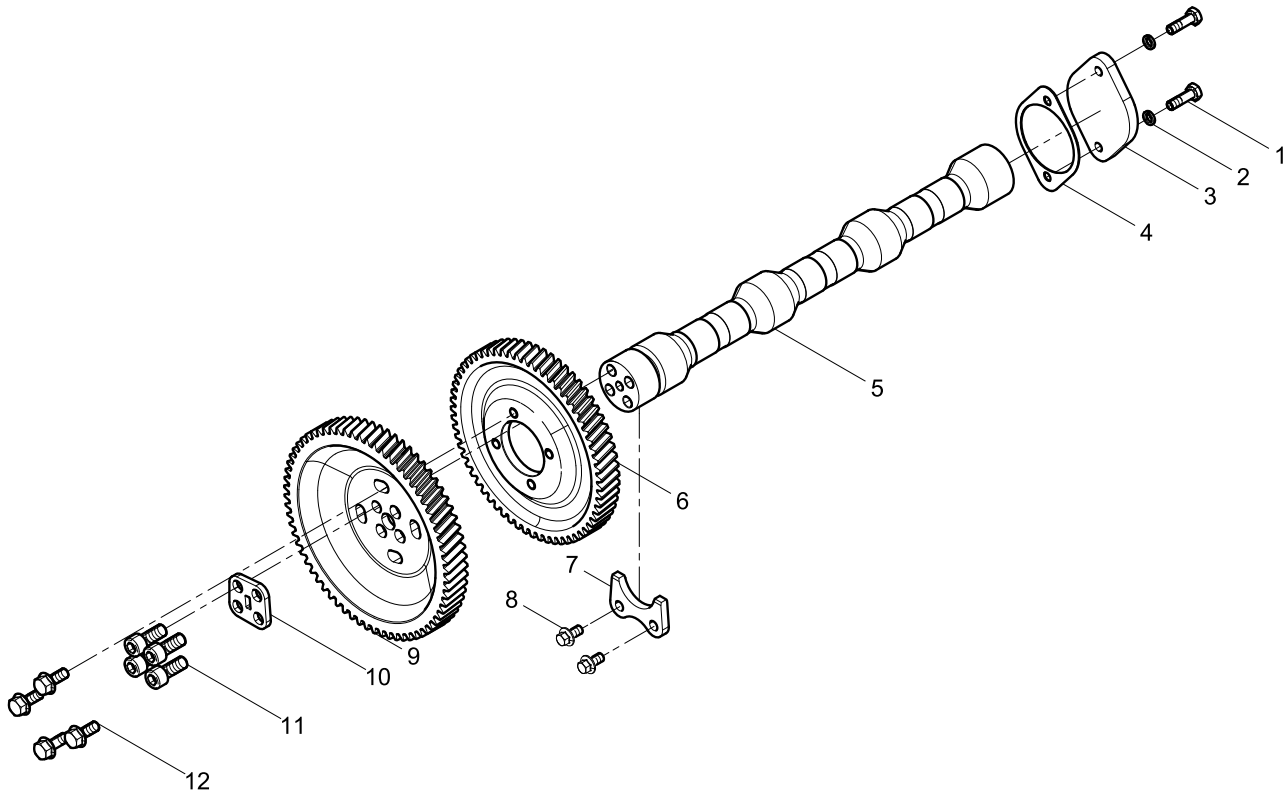
Cylinder Head Cover Group



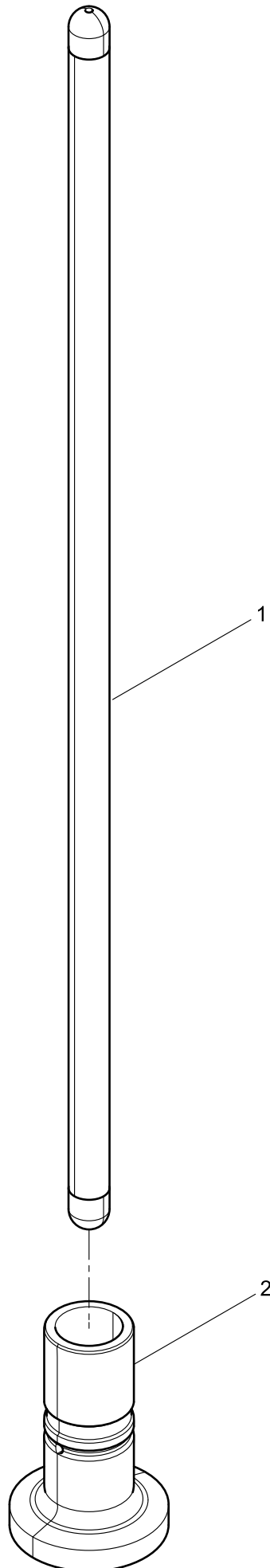
Oil Inlet Pipe Assembly



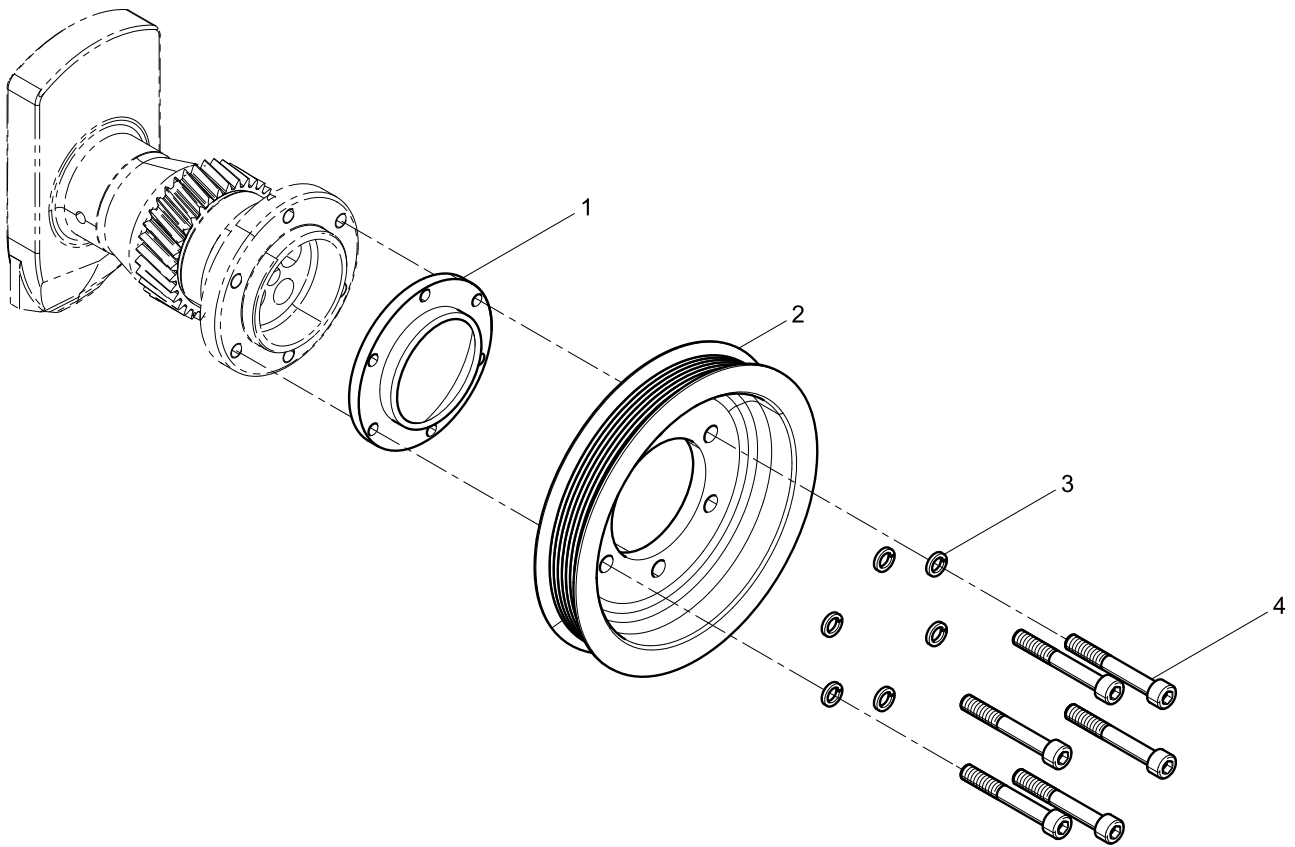
Camshaft Assembly

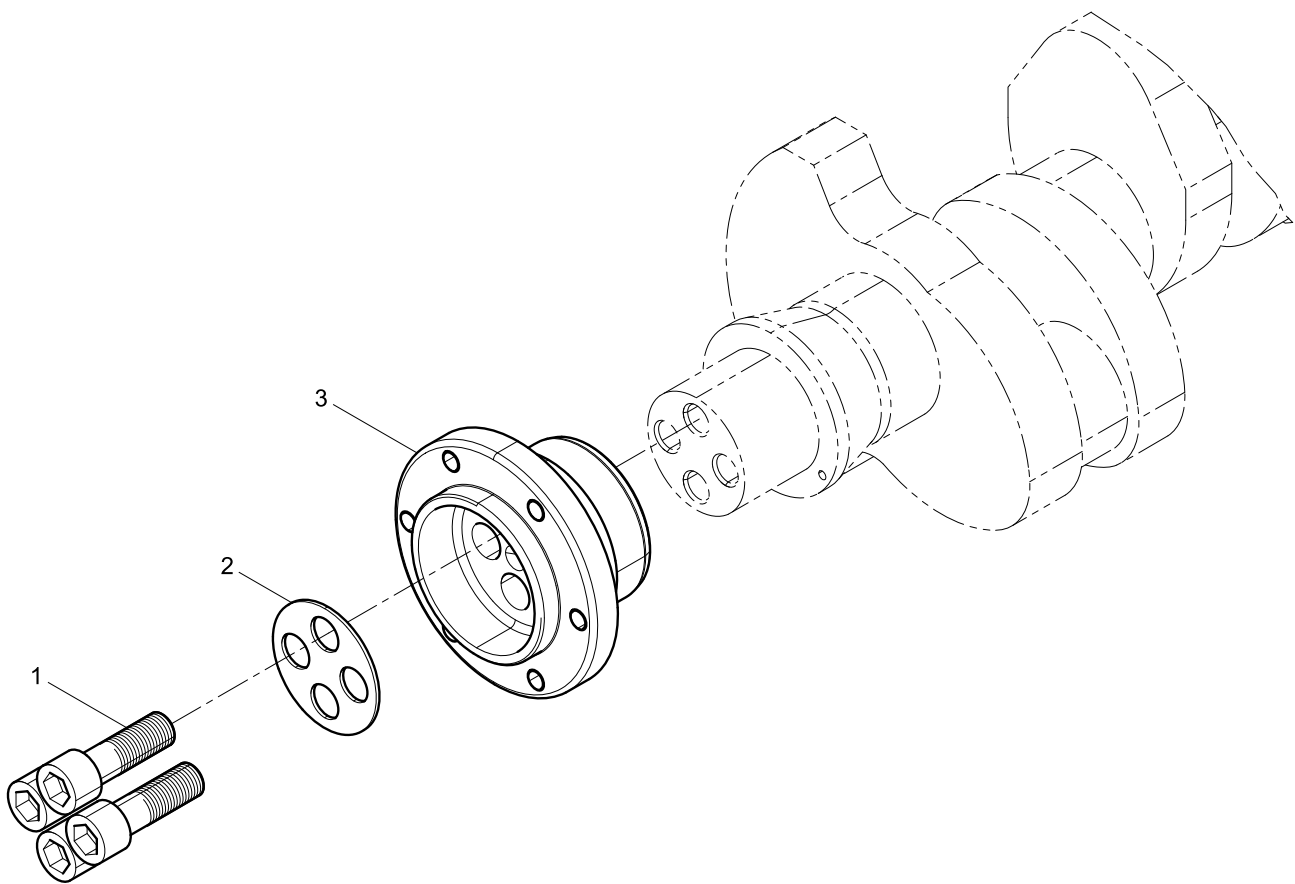


Valve Train Group

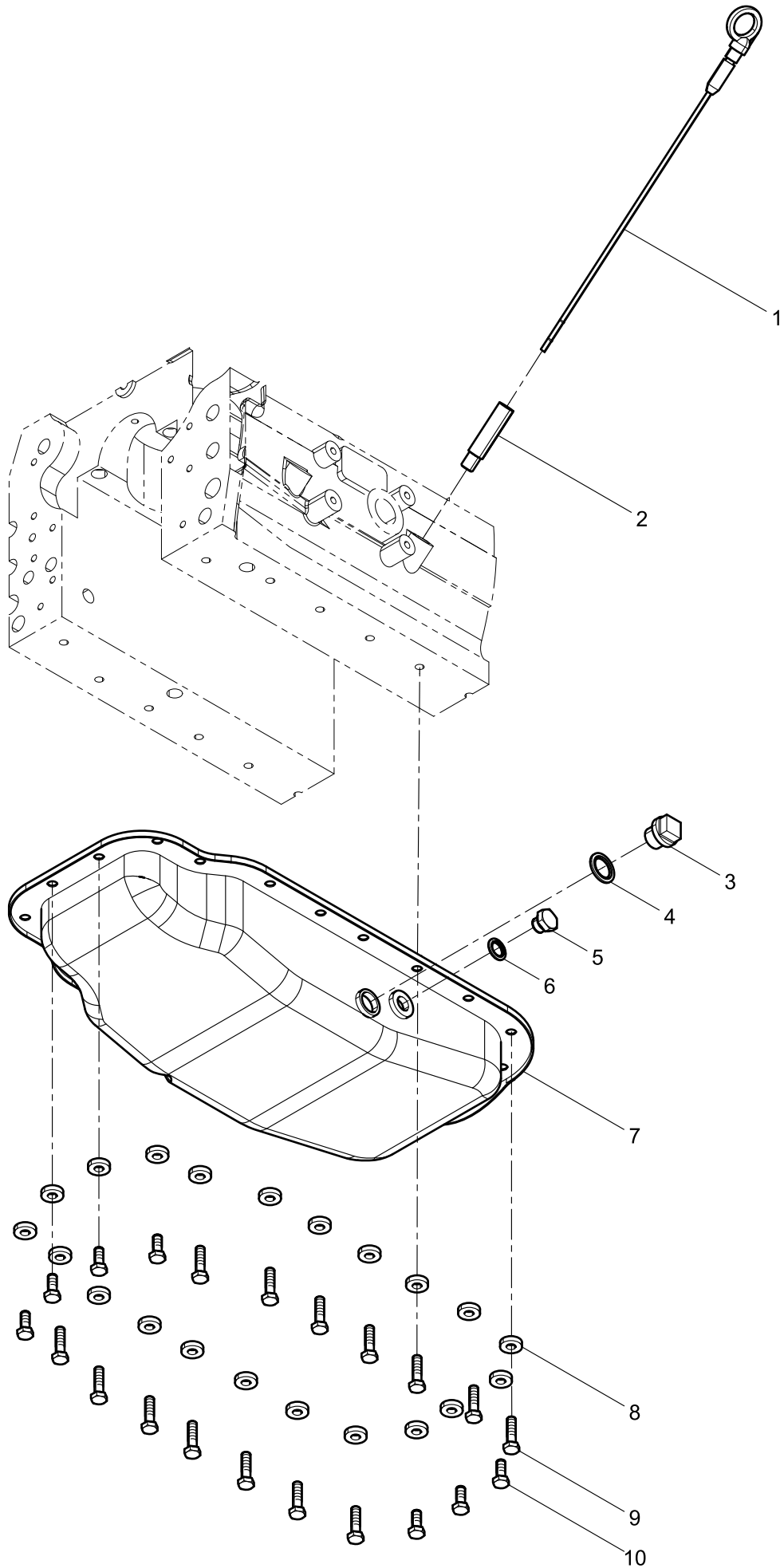


Crankshaft Pulley Group

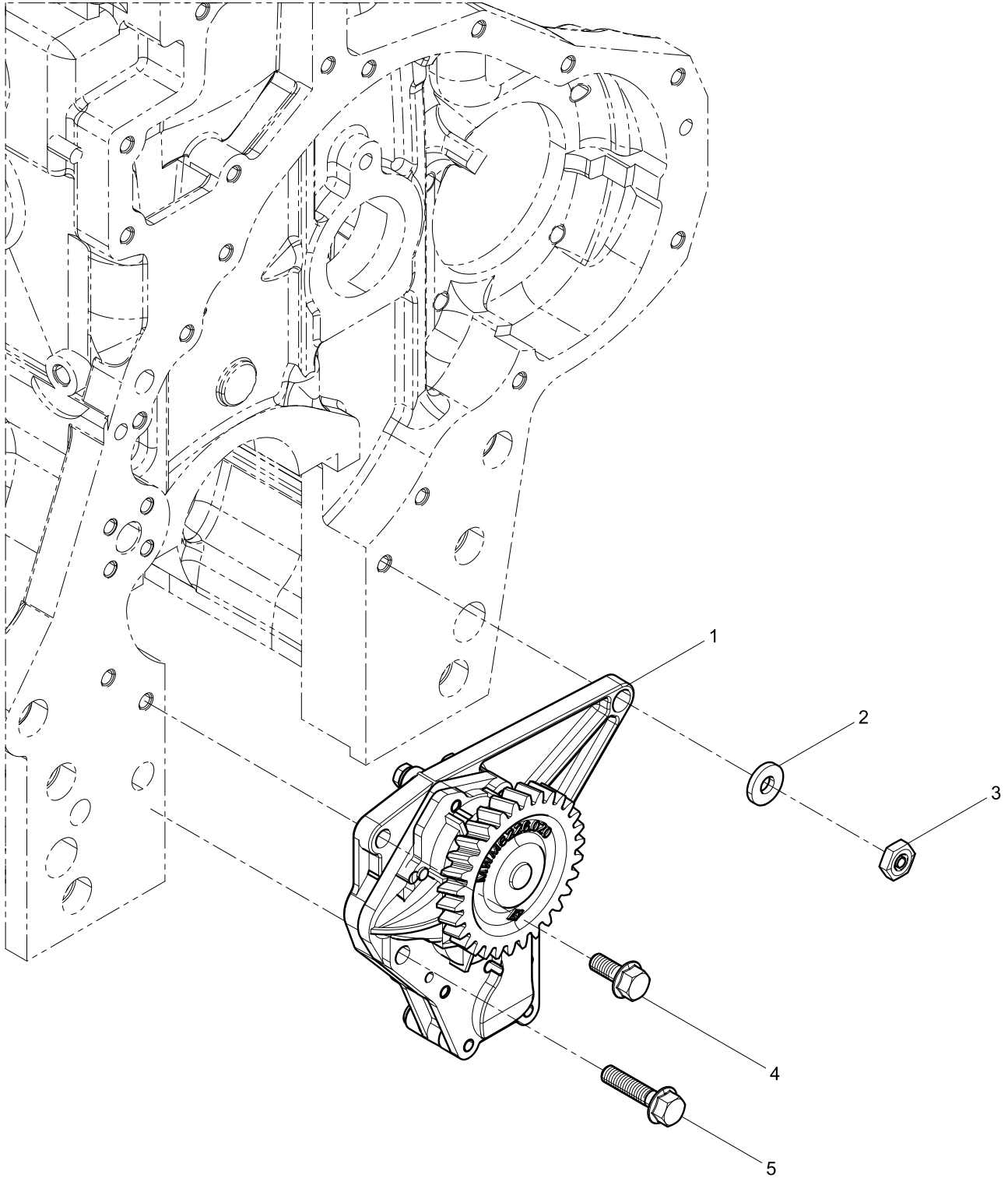




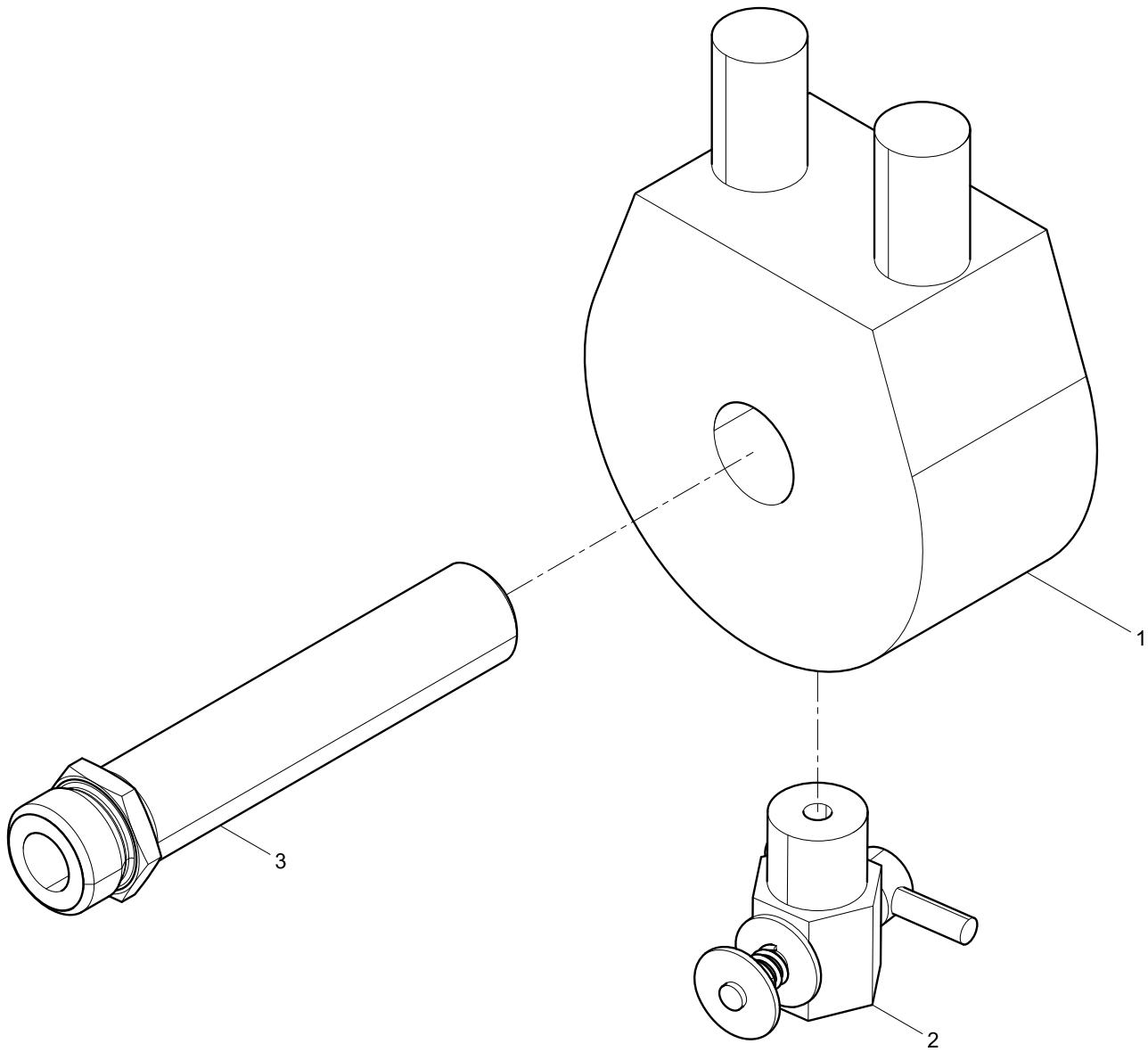
Oil Pan Assembly



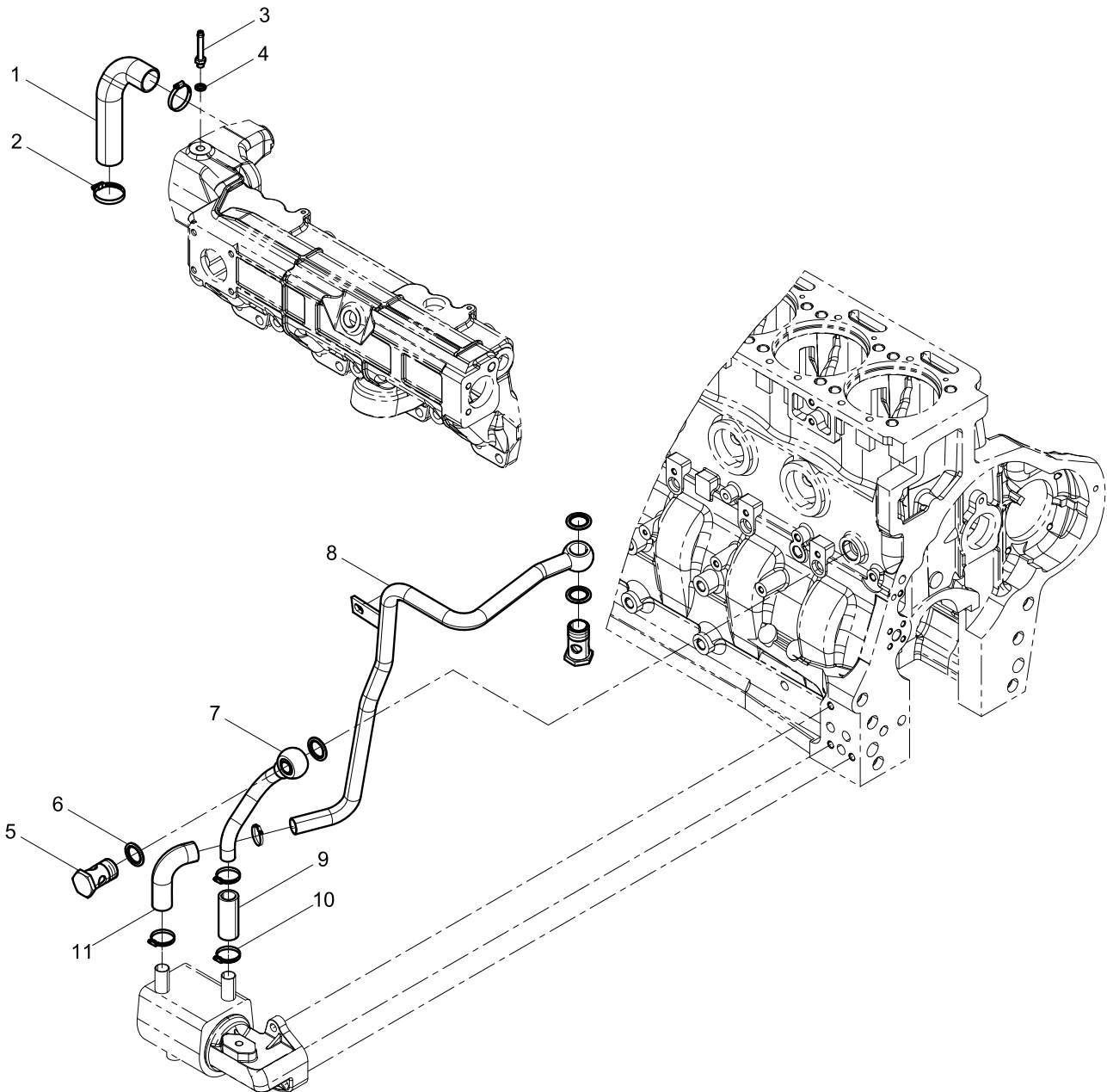
Oil Pump Group



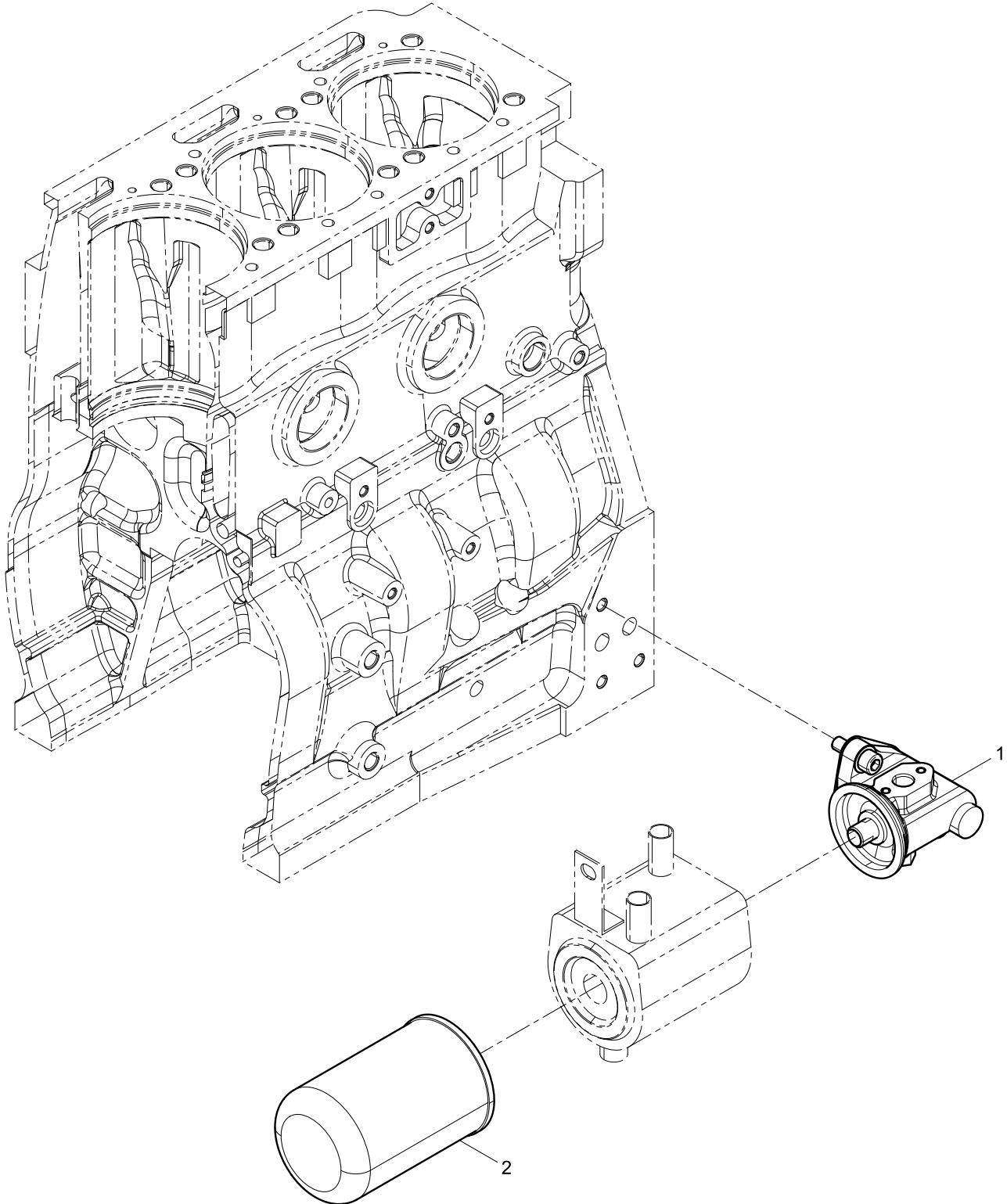
Oil Cooler Group



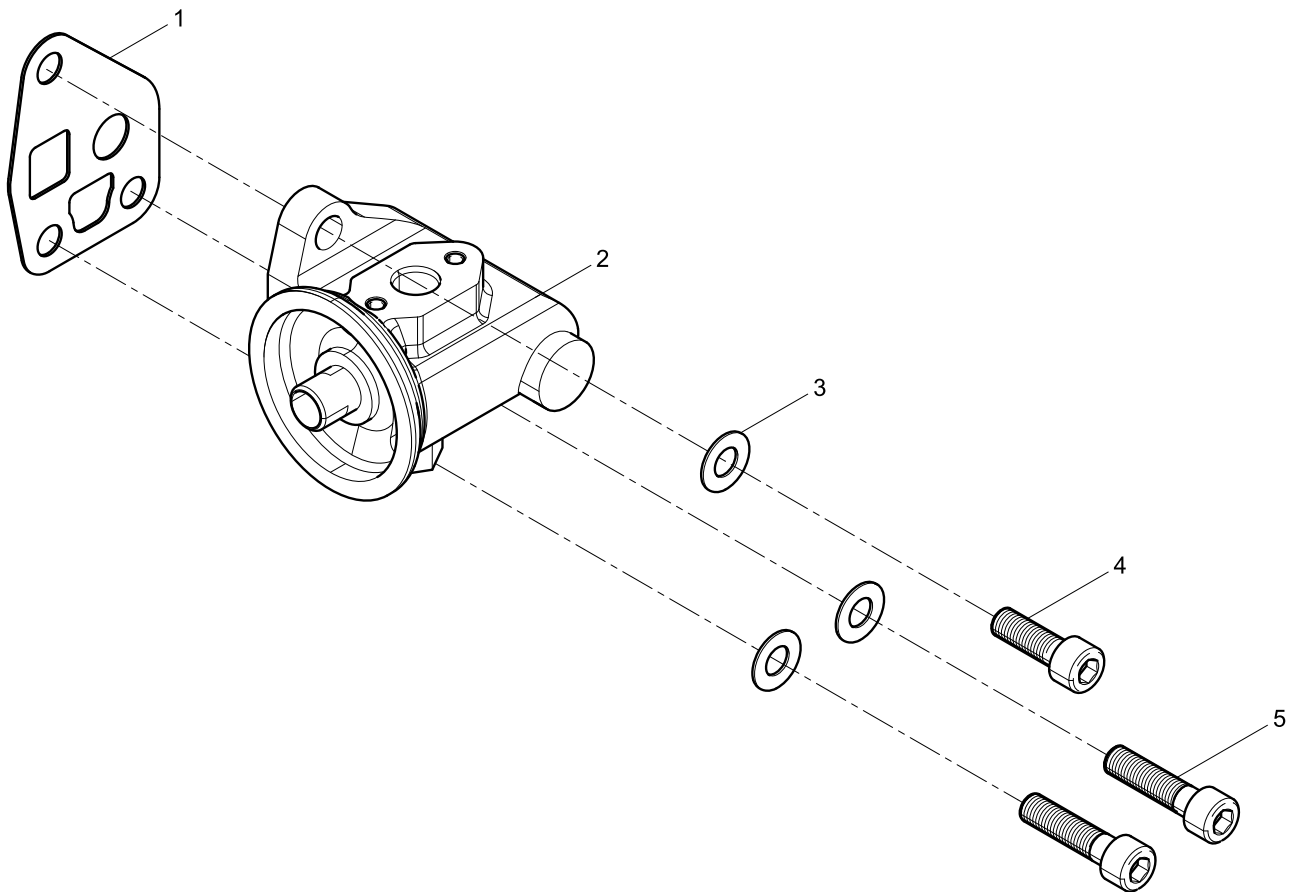
Oil Cooler Coolant Pipe Group



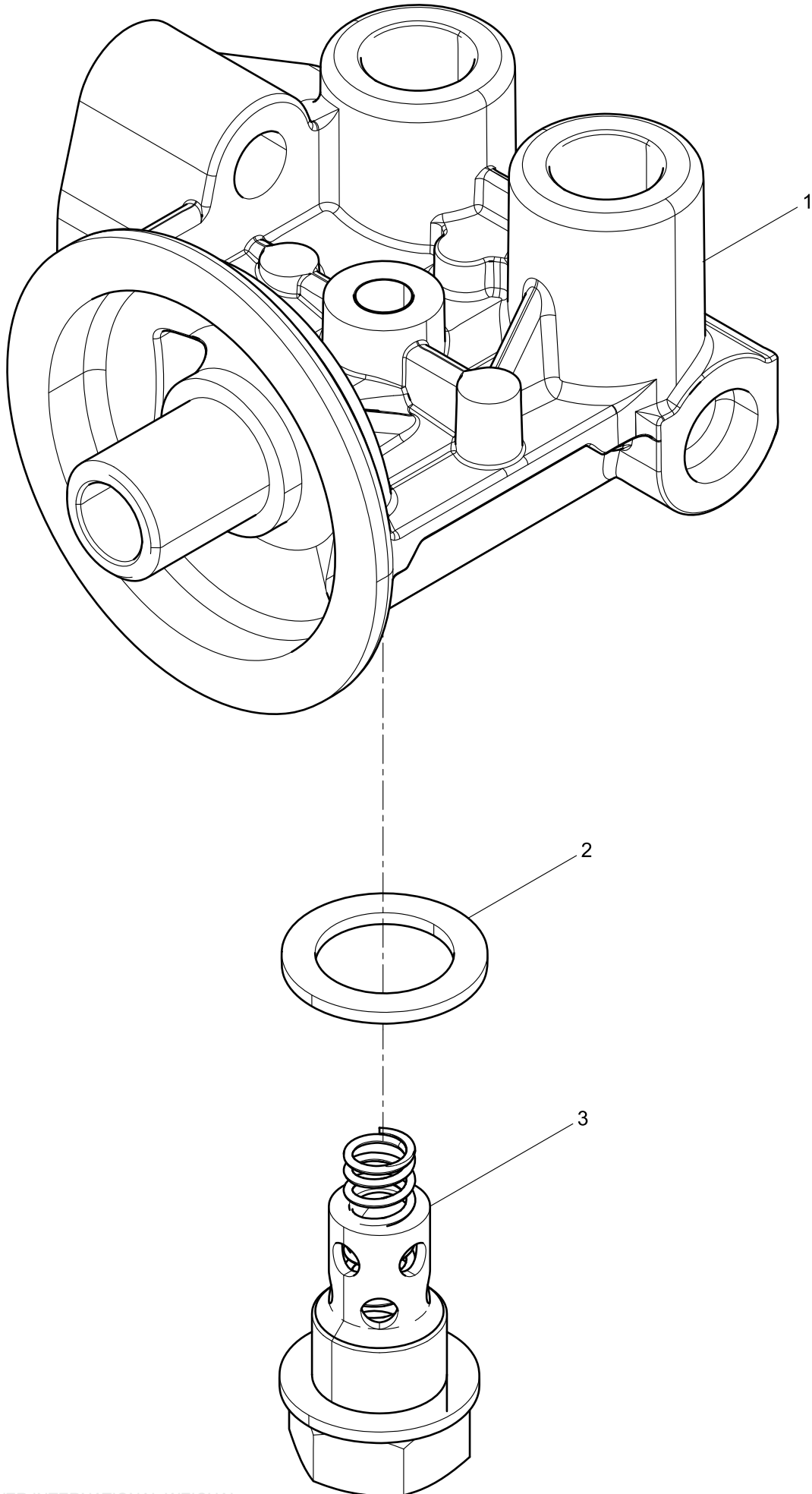
Oil Filter Group



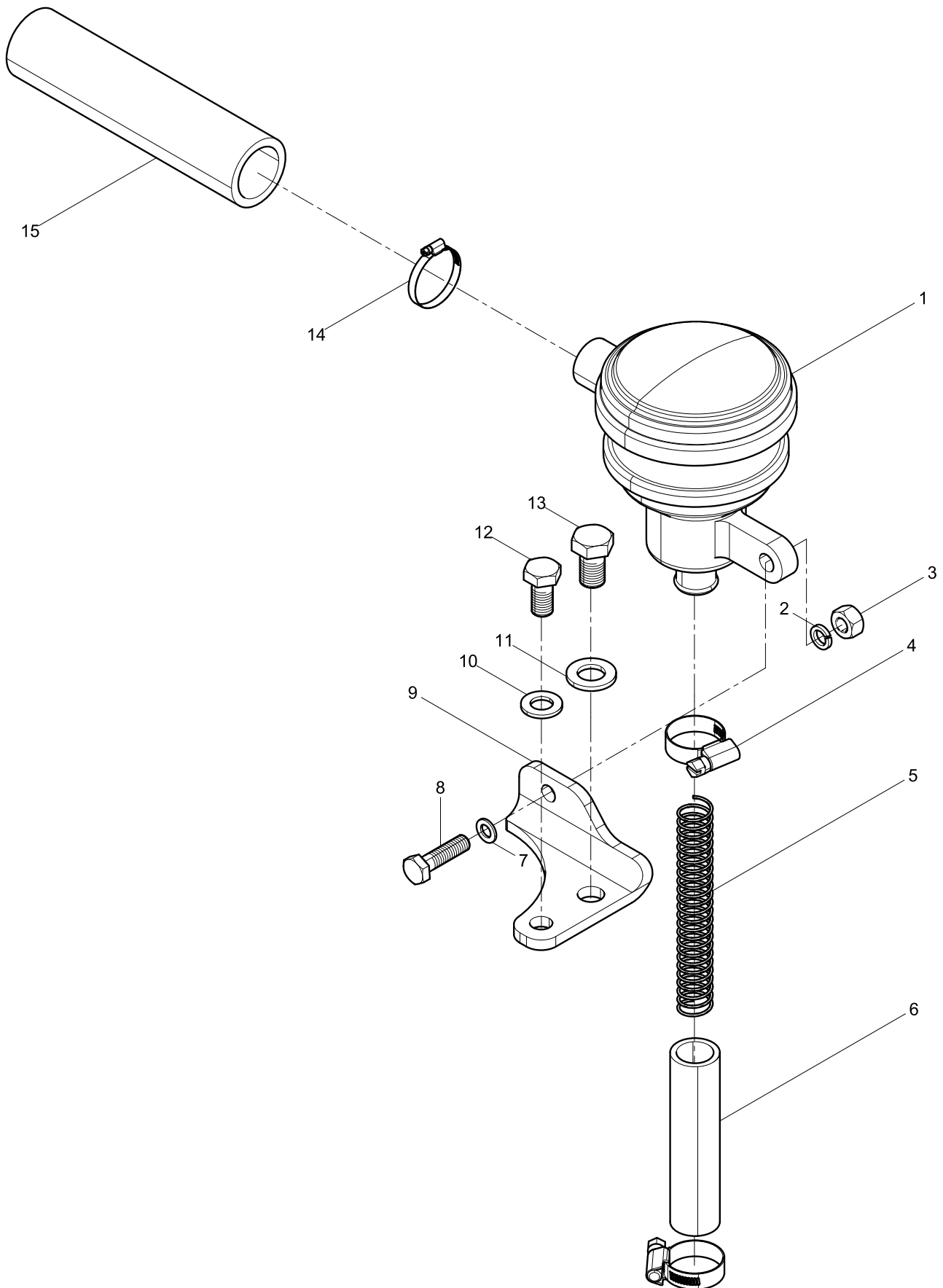
Filter seat assembly



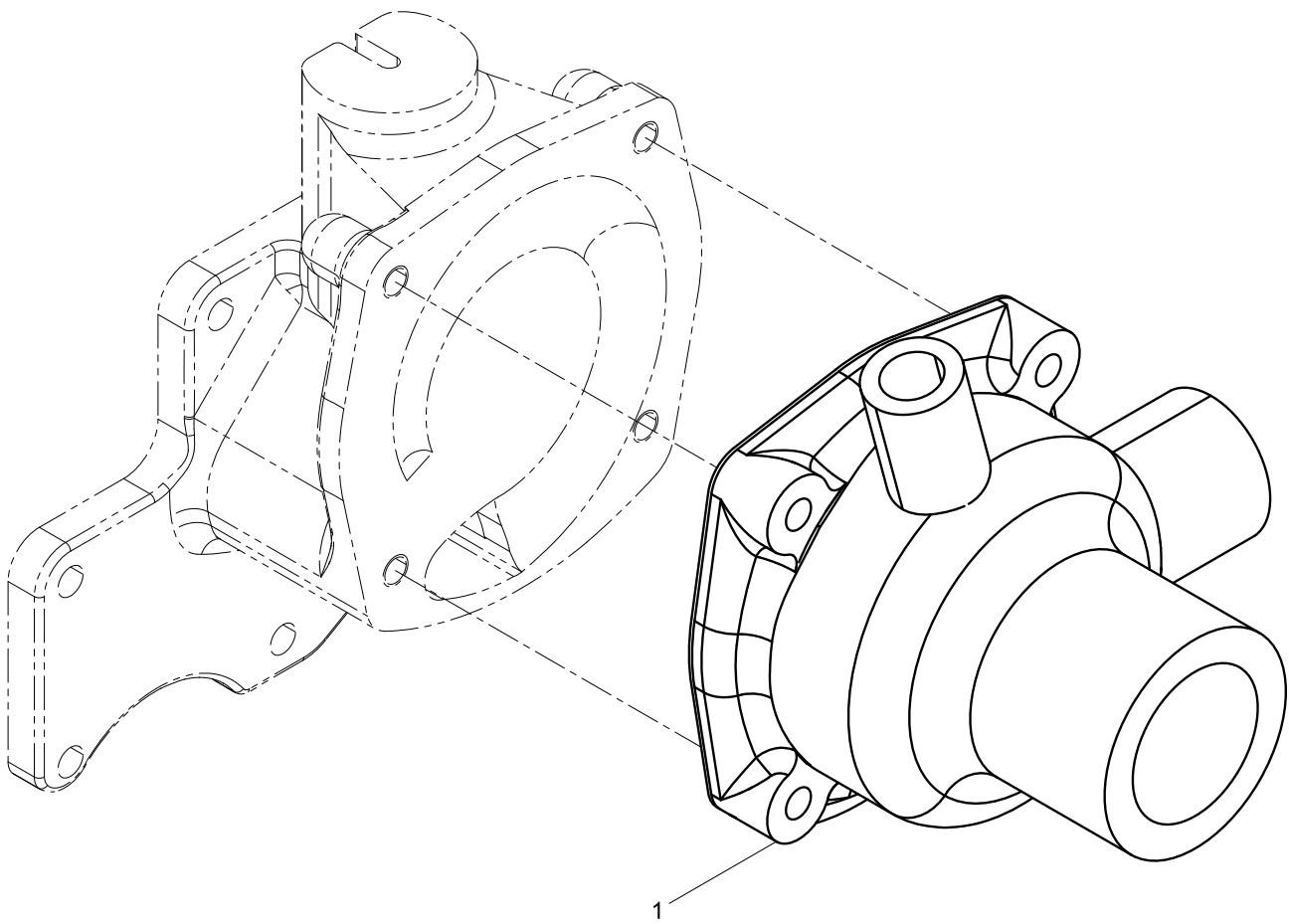
Oil Filter Seat Set



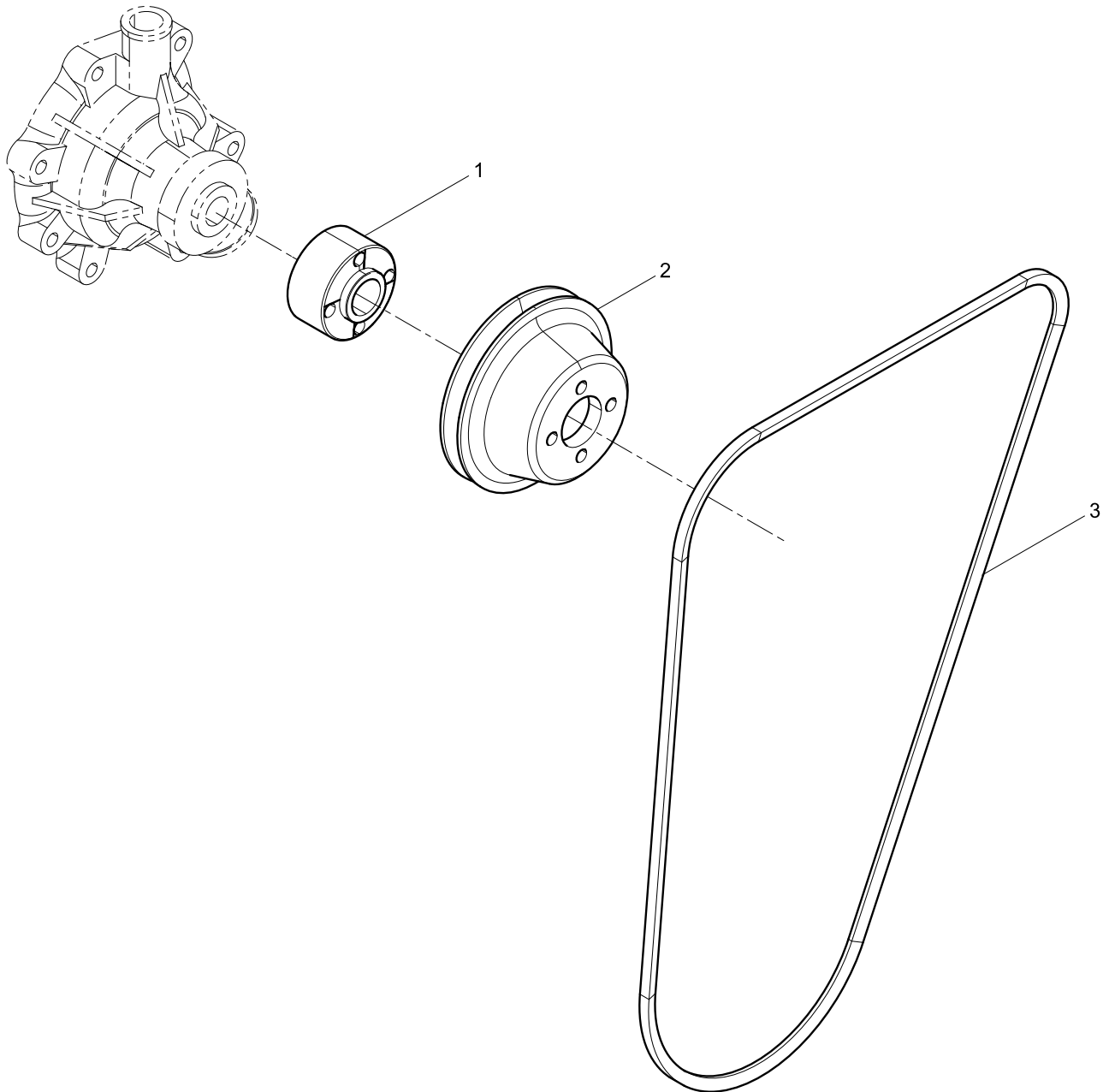
Crankcase ventilation unit set



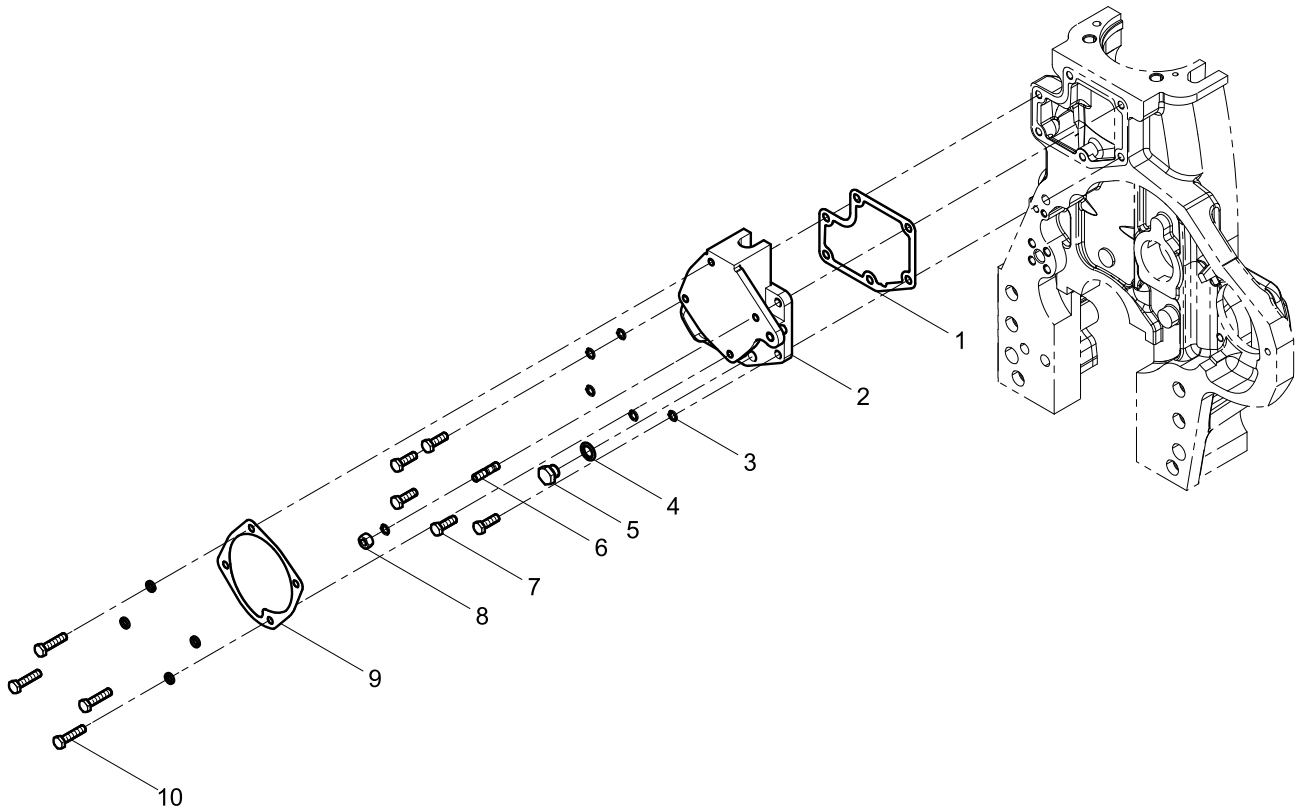
Water Pump Group



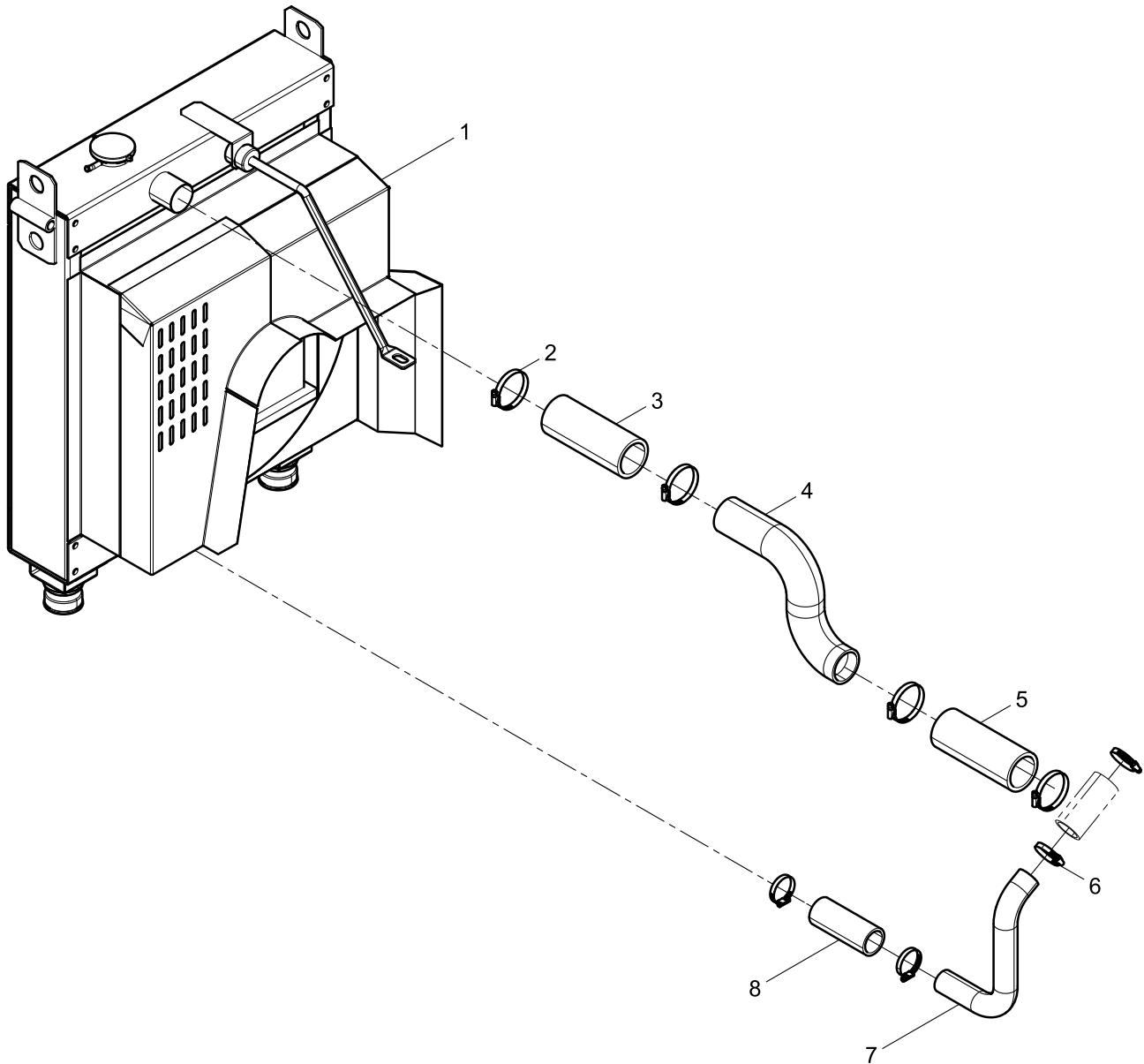
Water Pump Pulley Assembly



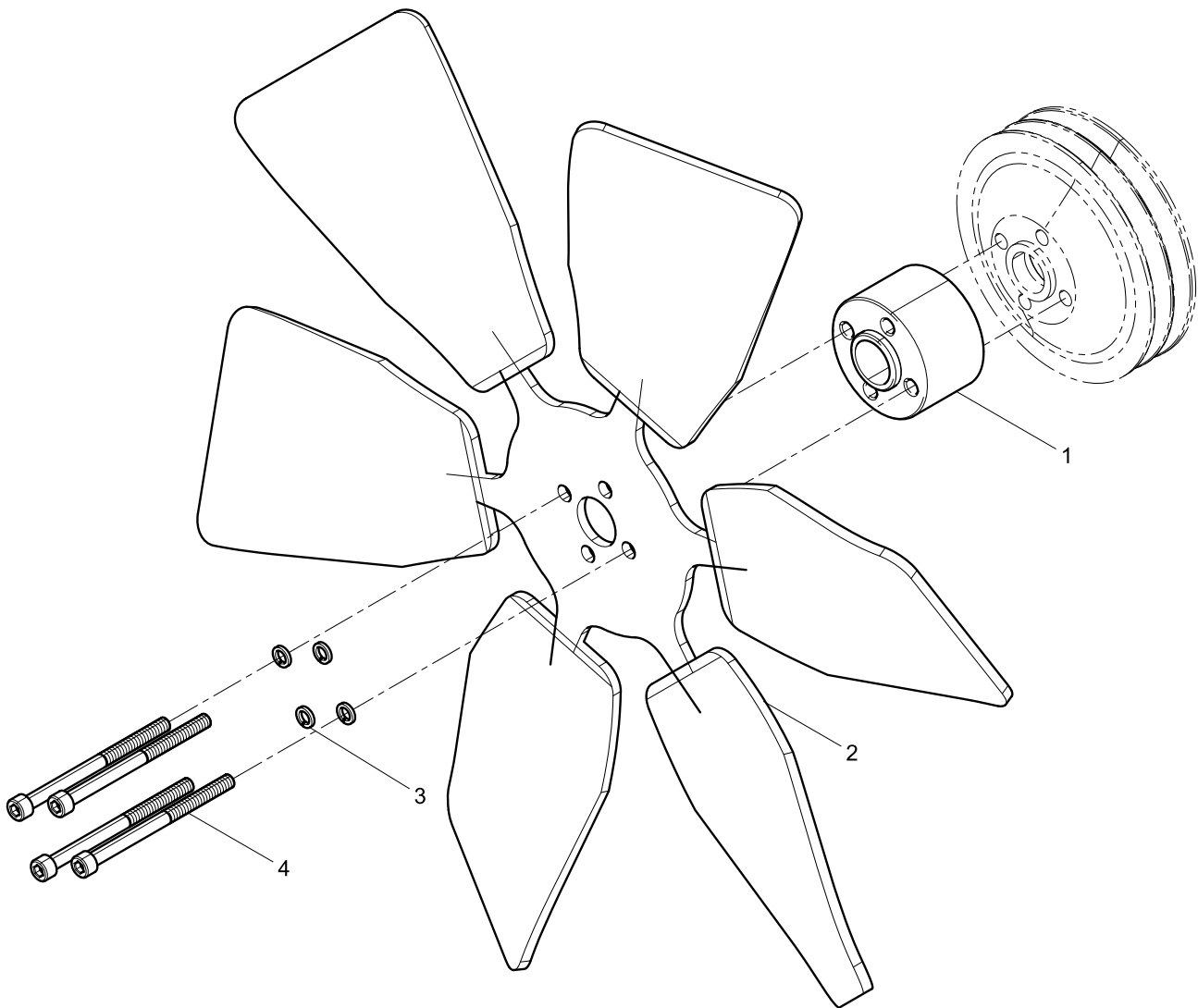
Intermediate plate



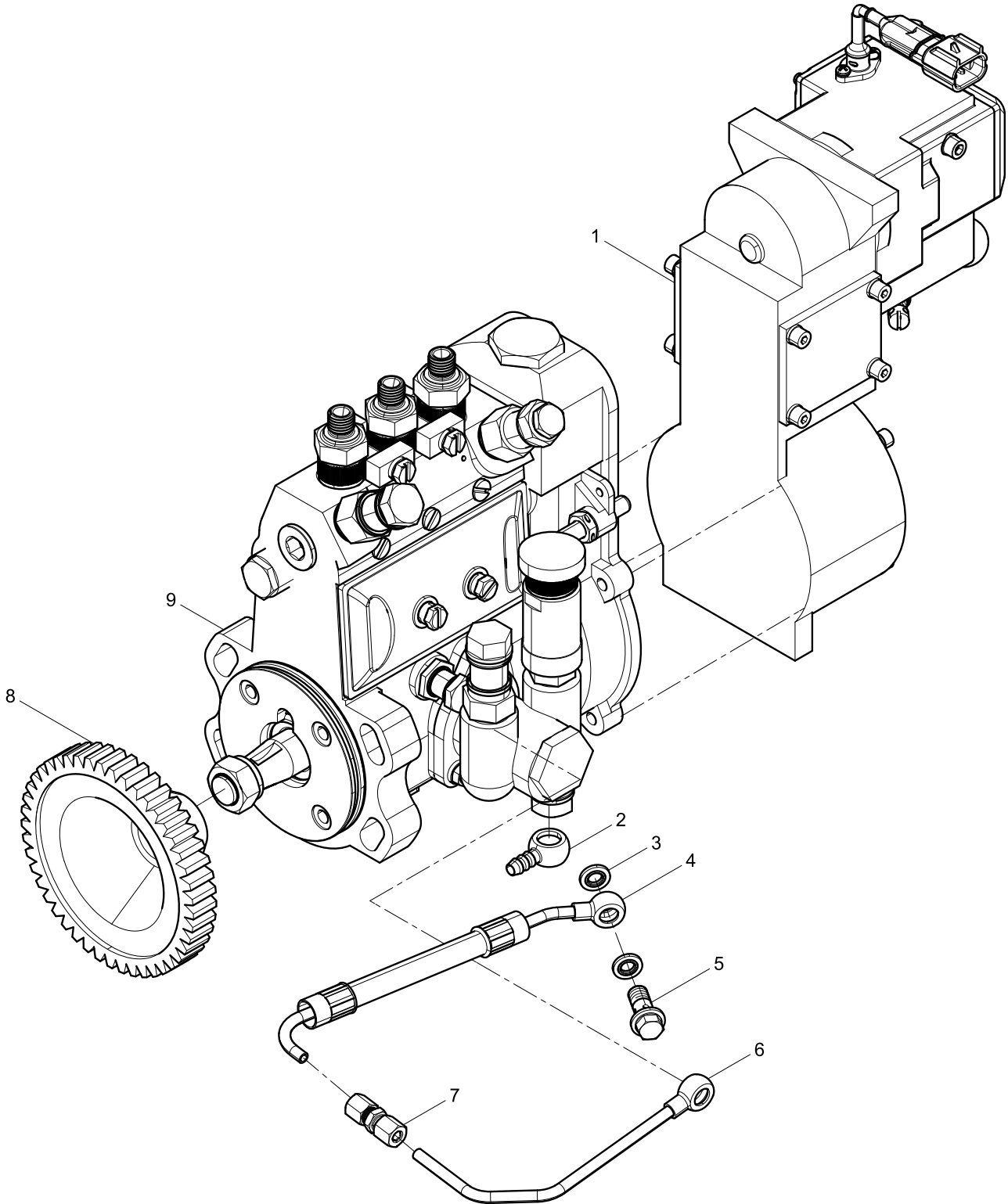
Radiator Group



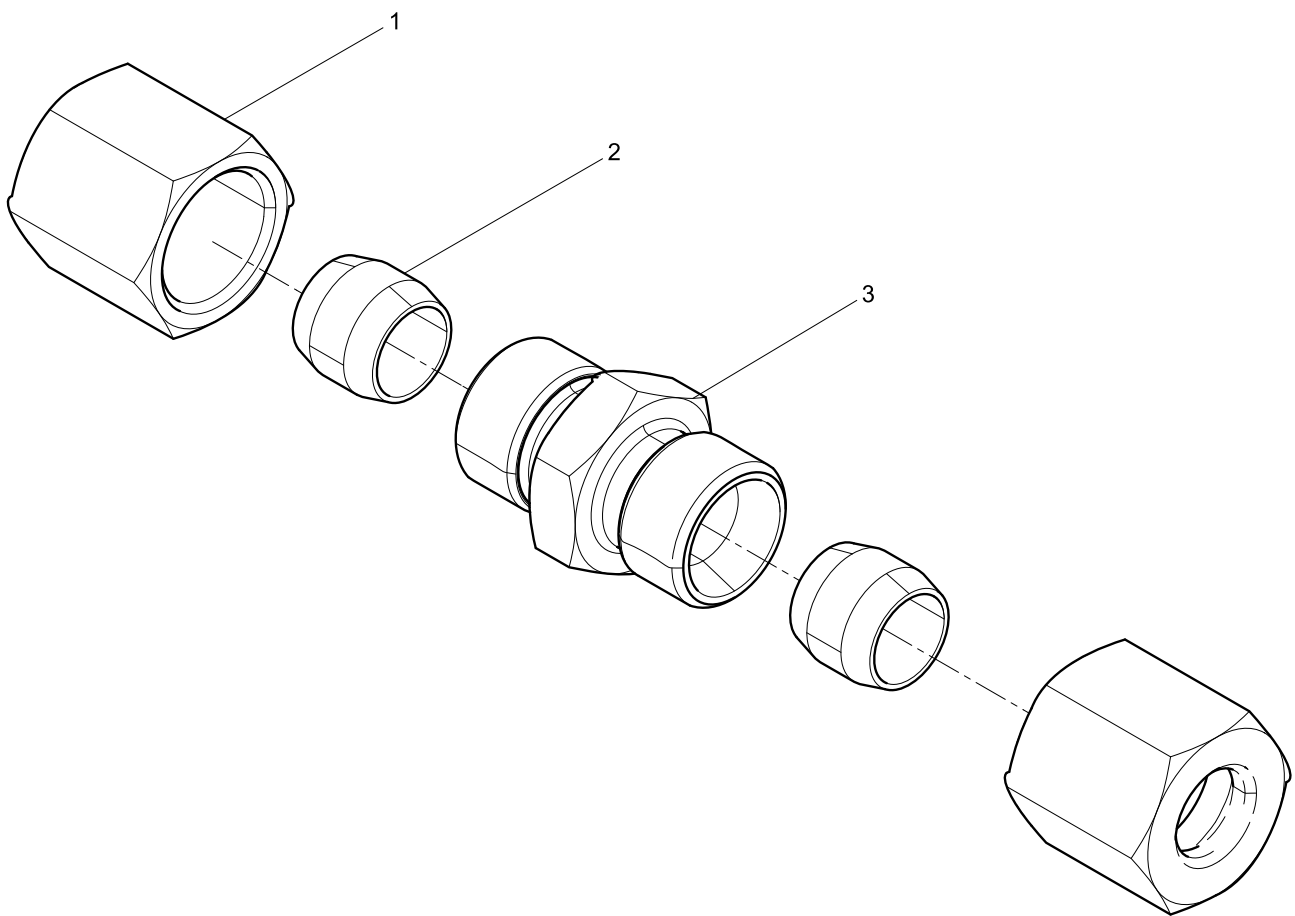
Fan



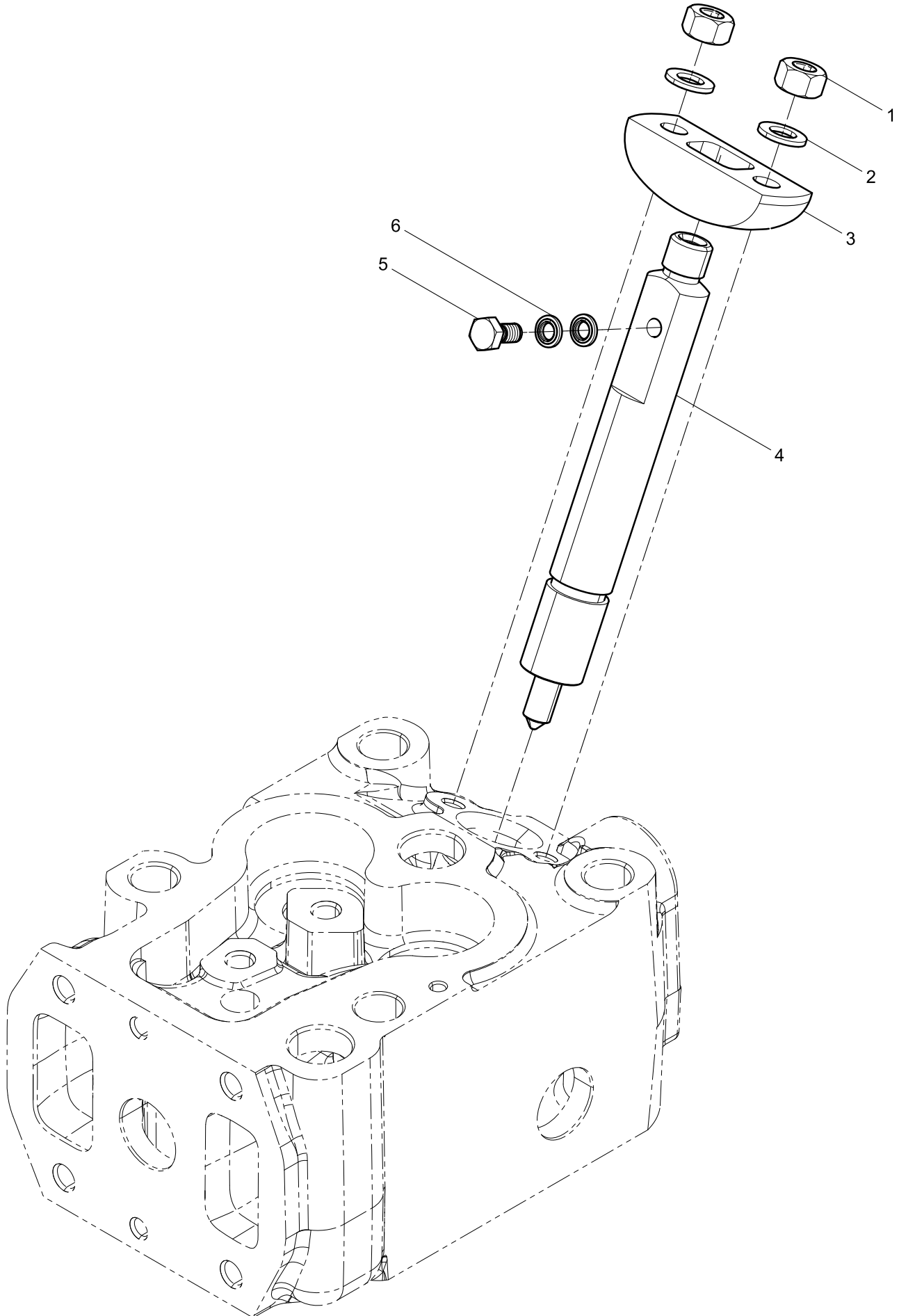
Fuel Injection Pump Assembly



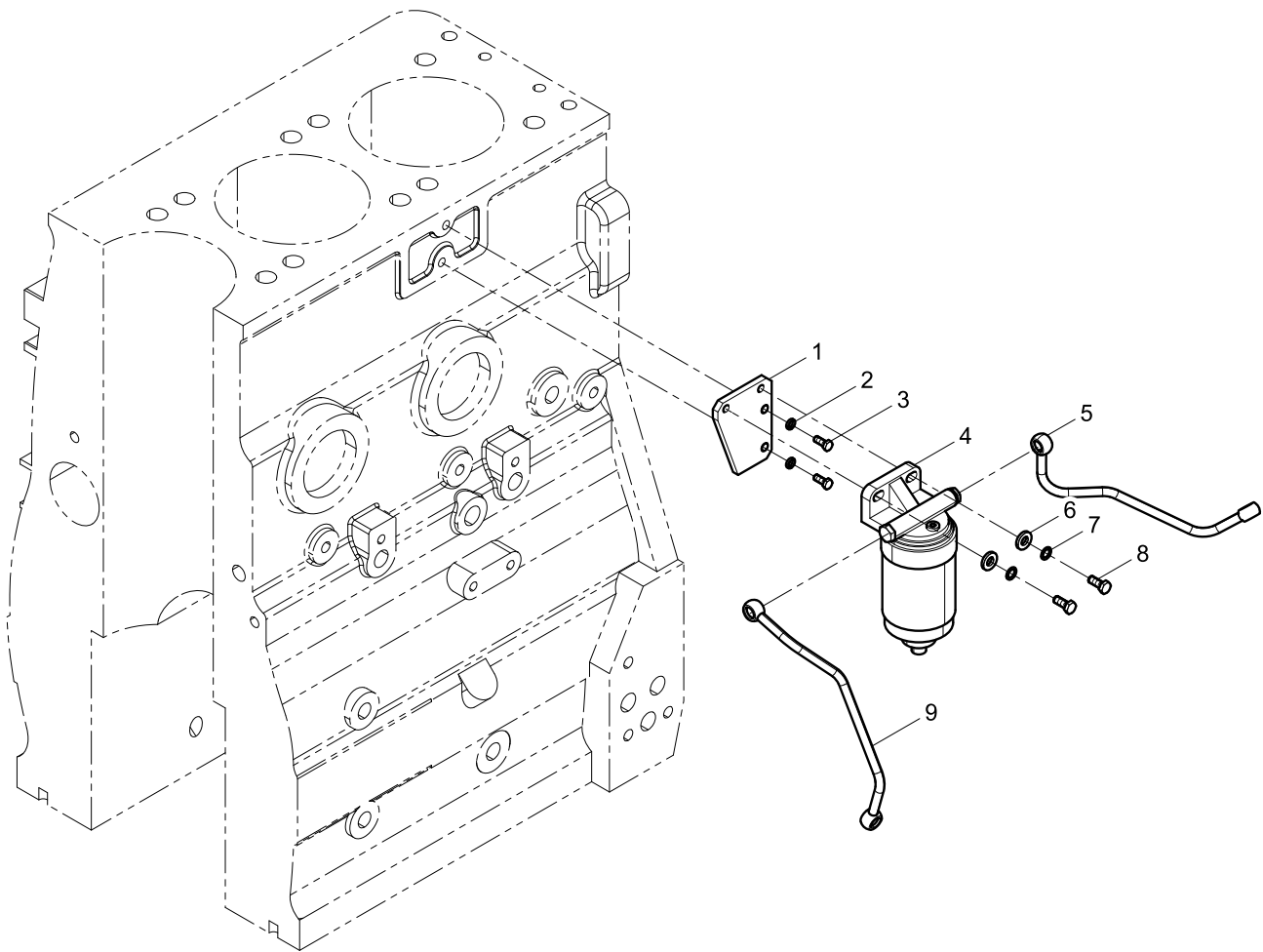
Pipe Joint



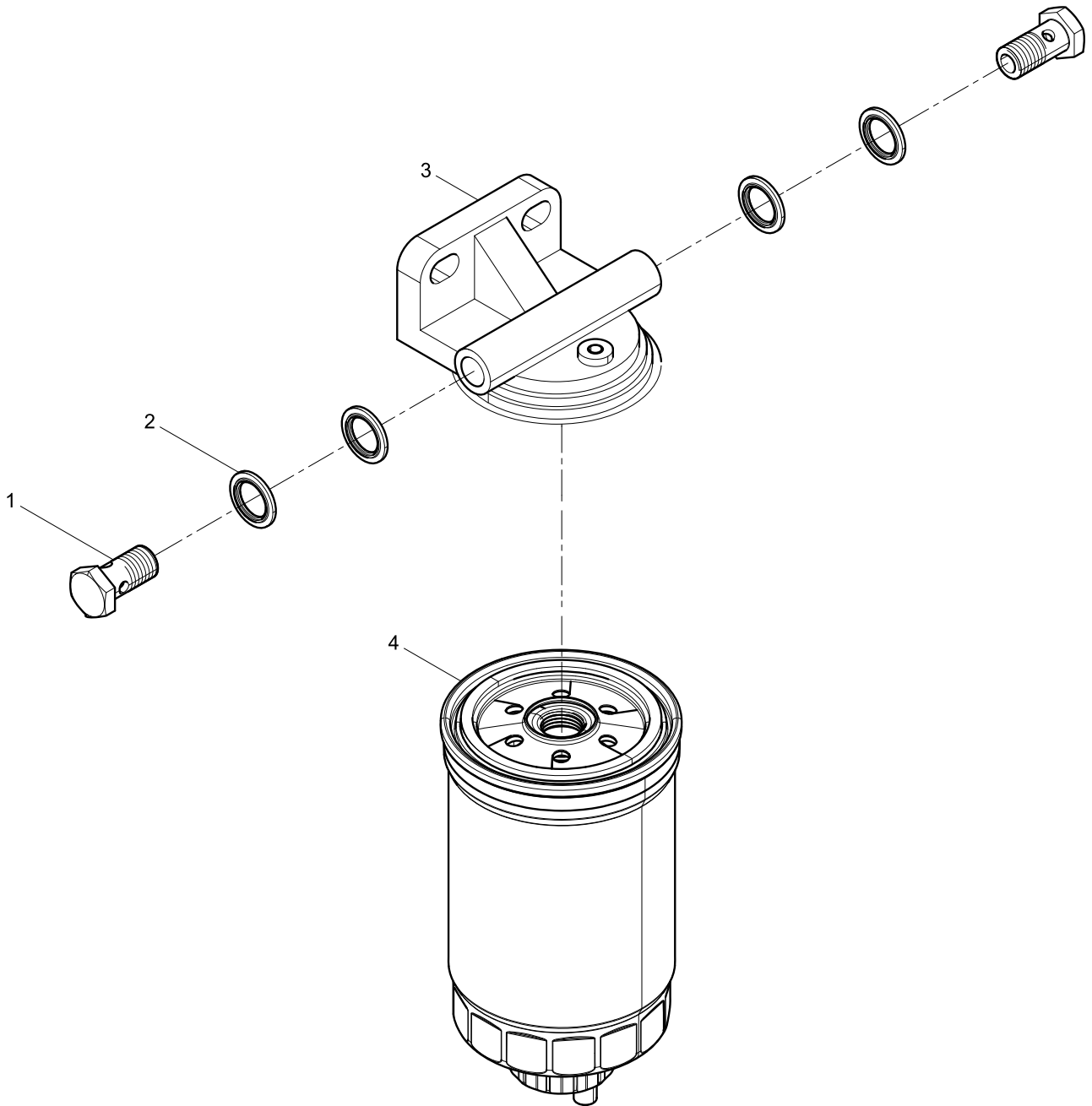
Injector assembly



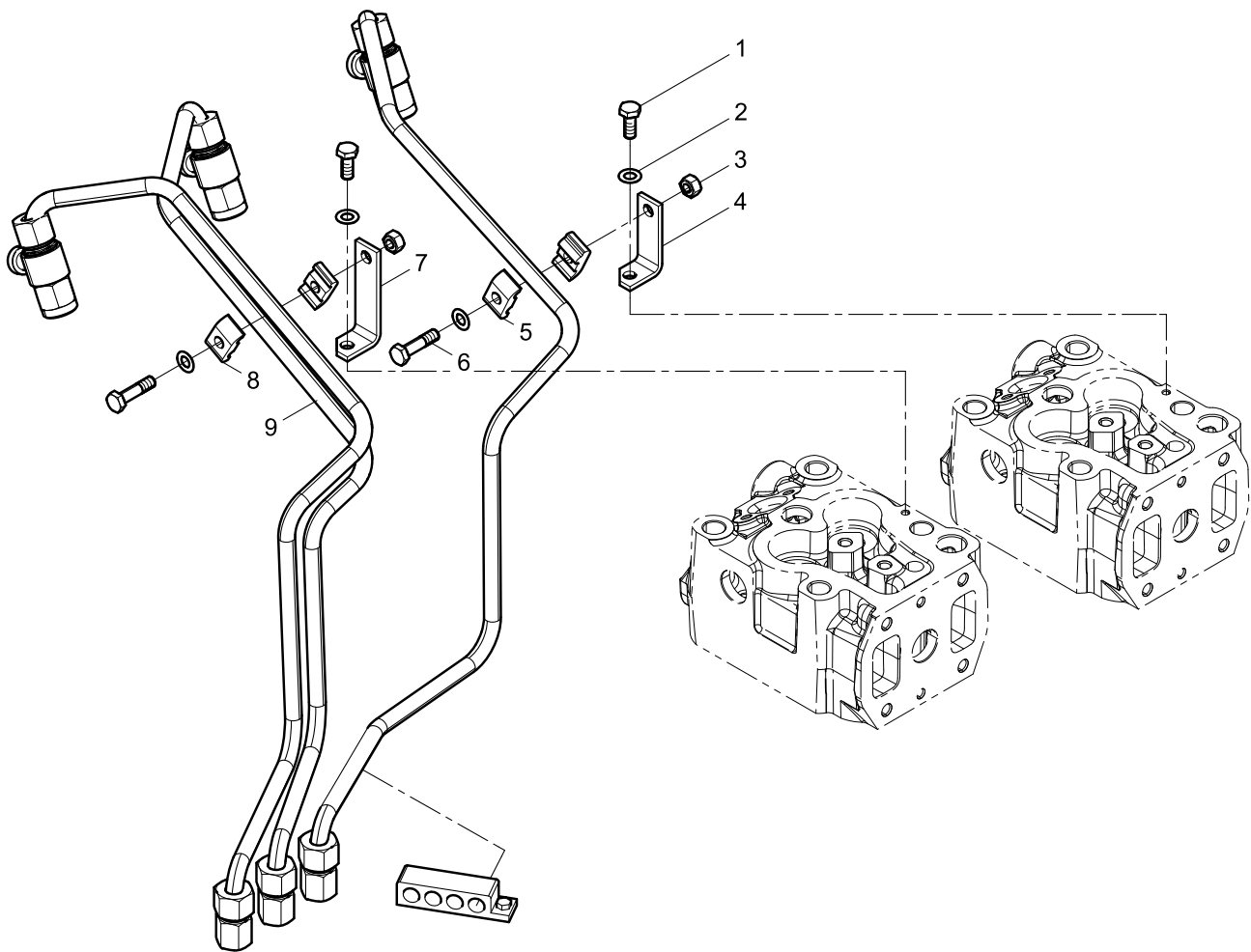
Fuel Filter Group



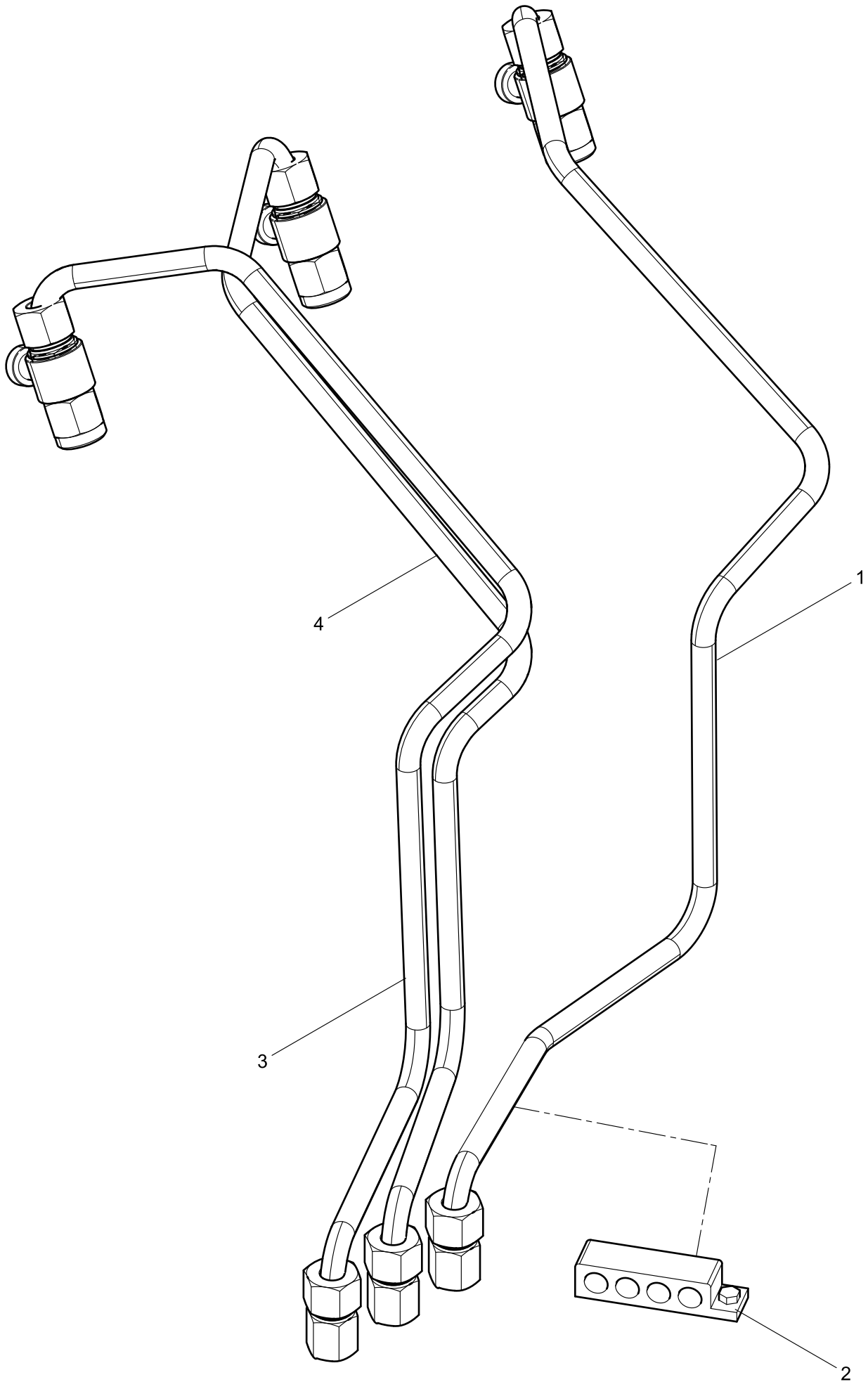
Fuel Filter



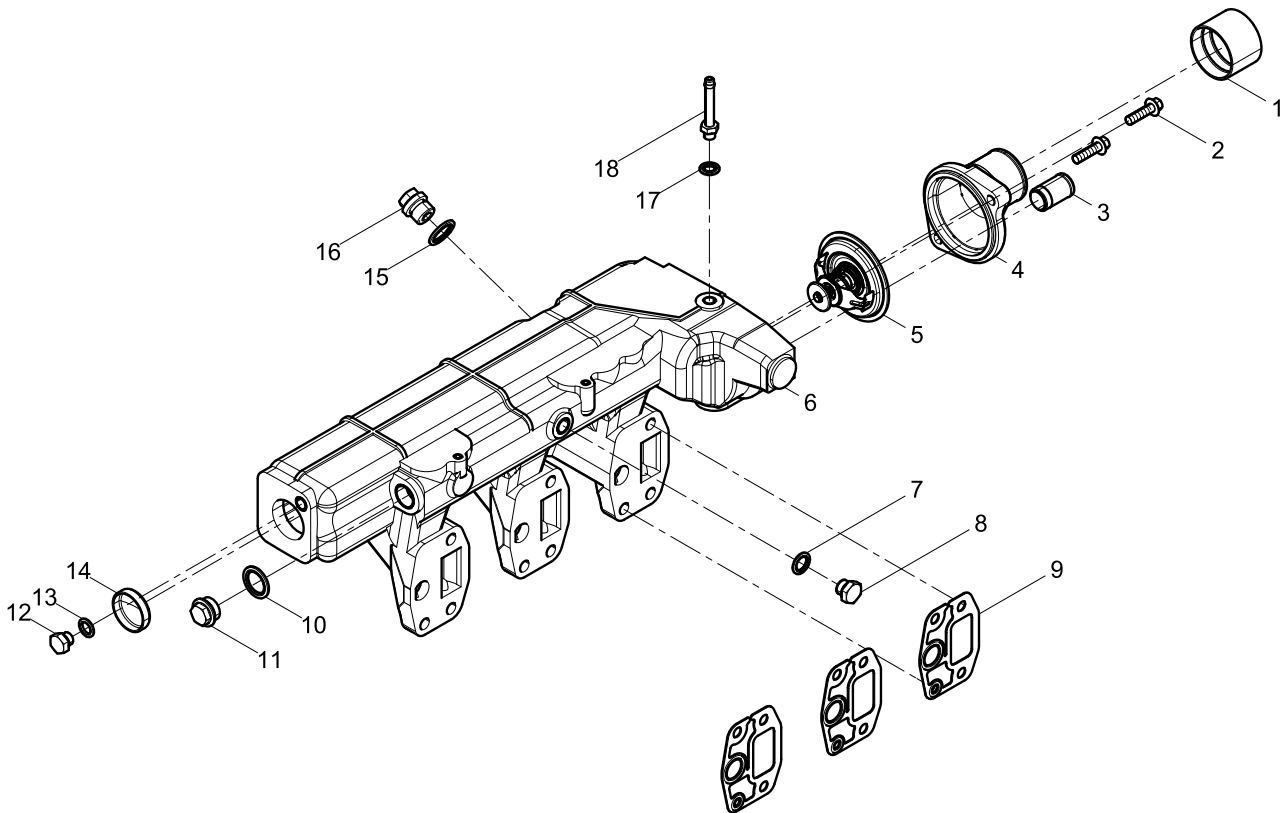
High-pressure Fuel Pipe Assembly



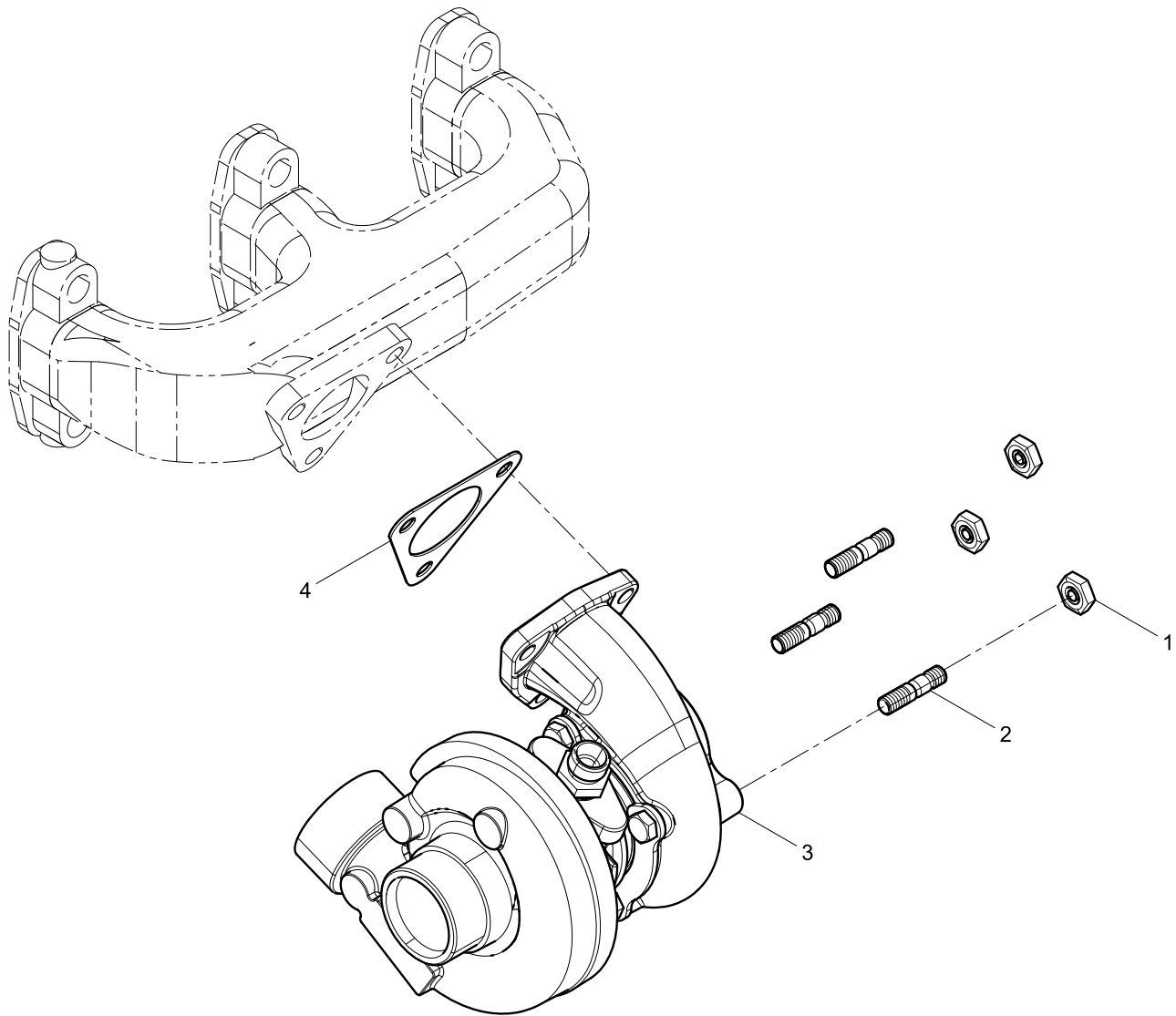
High-pressure Fuel Pipe Assembly



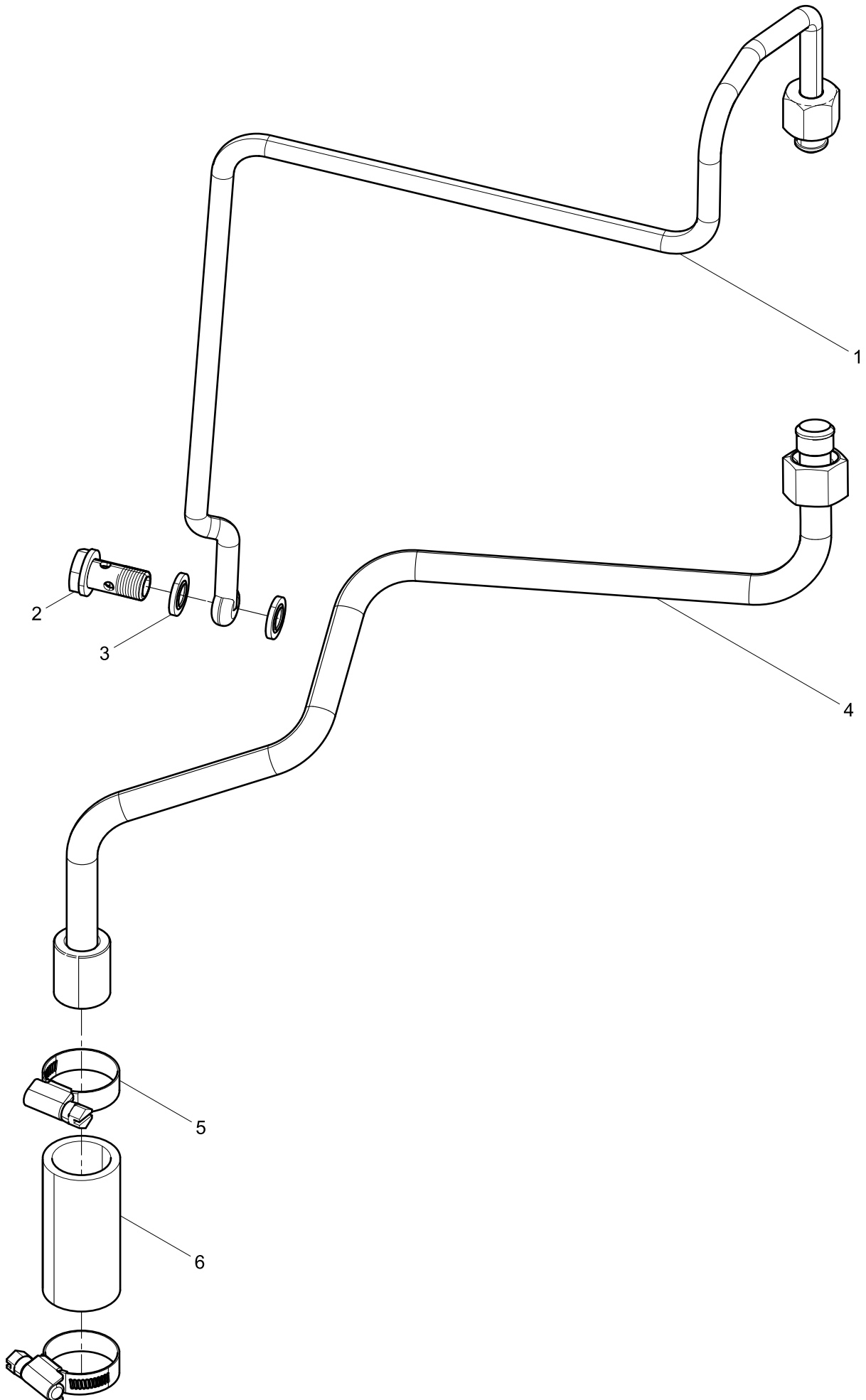
Intake Manifold Group



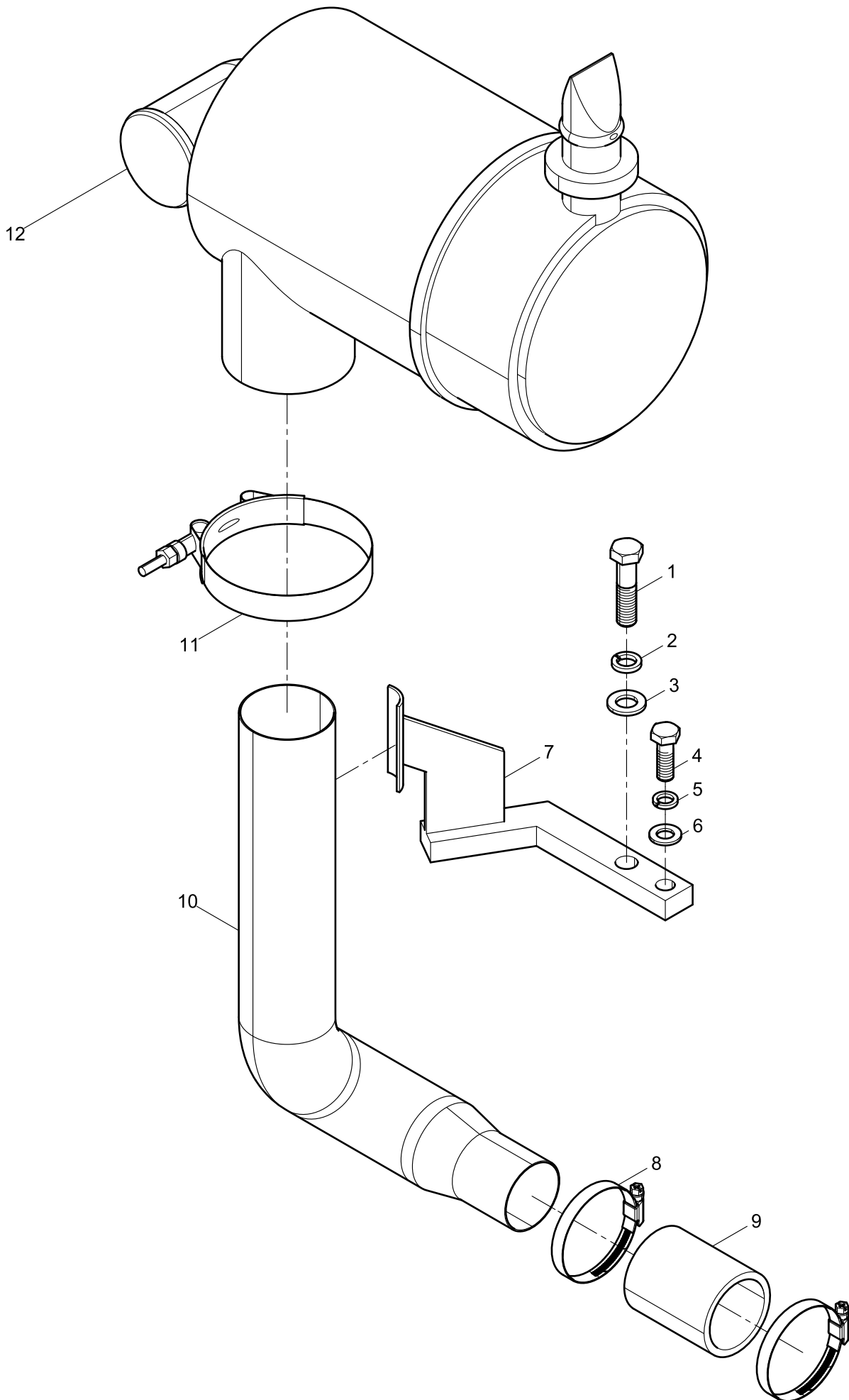
Turbocharger Group



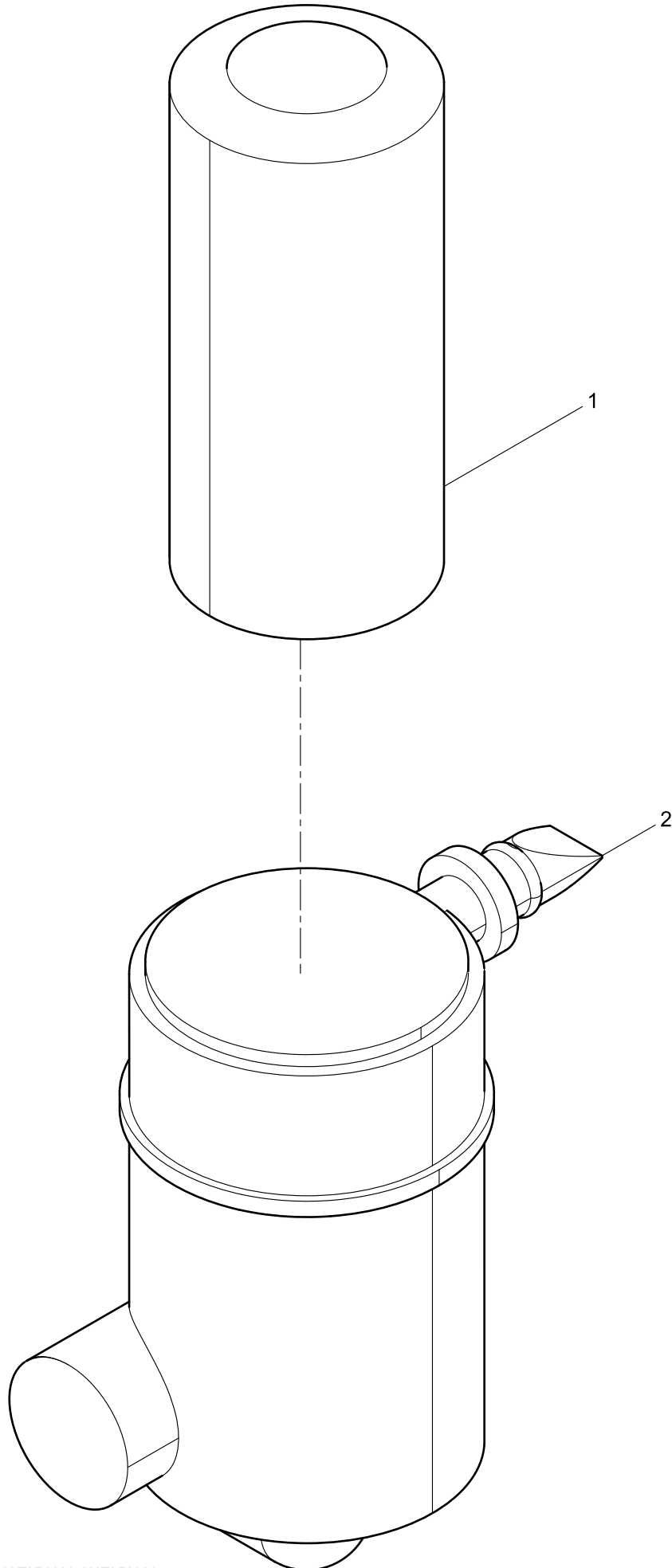
Oil pipe assembly of turbocharger



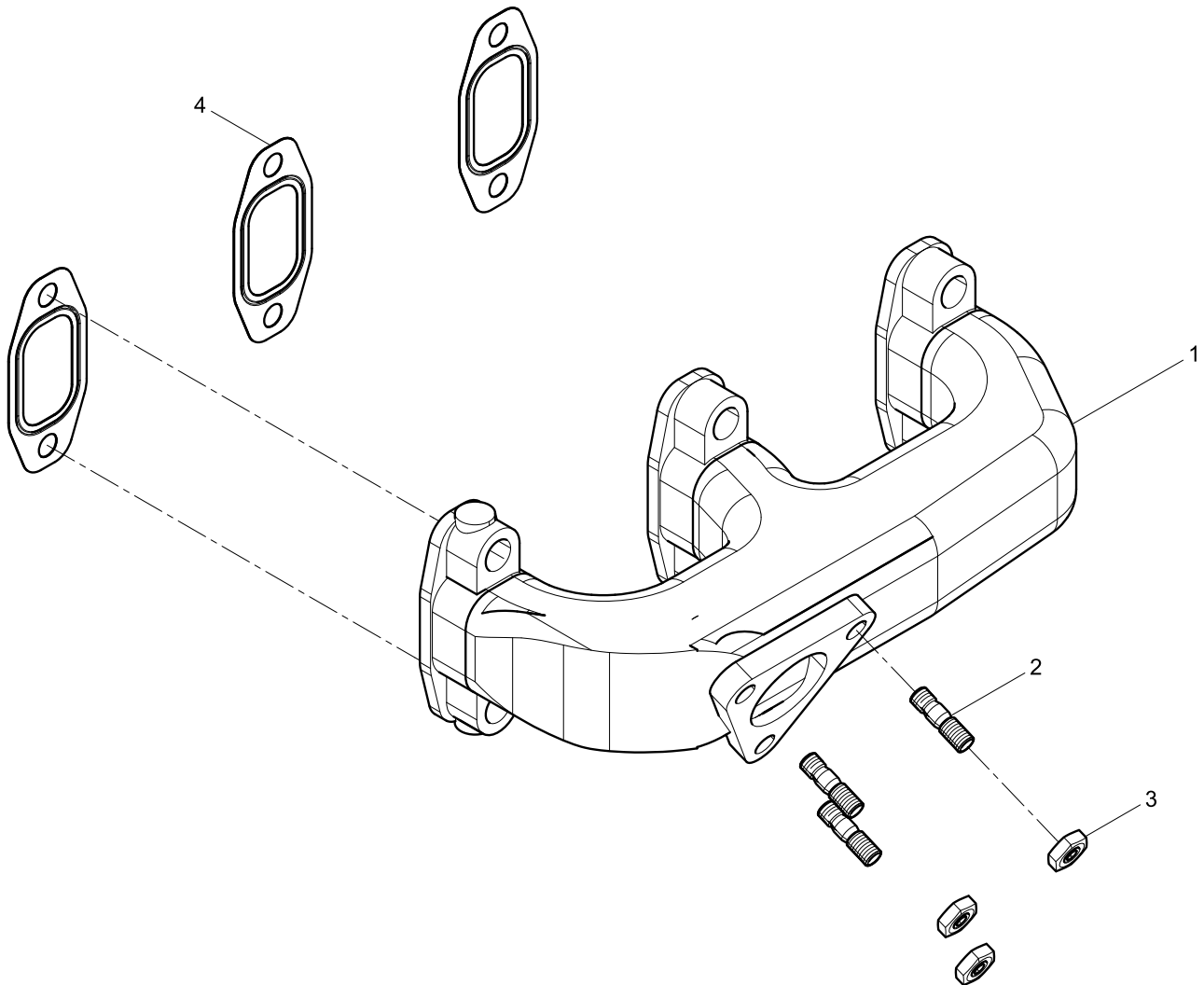
Air Filter Group



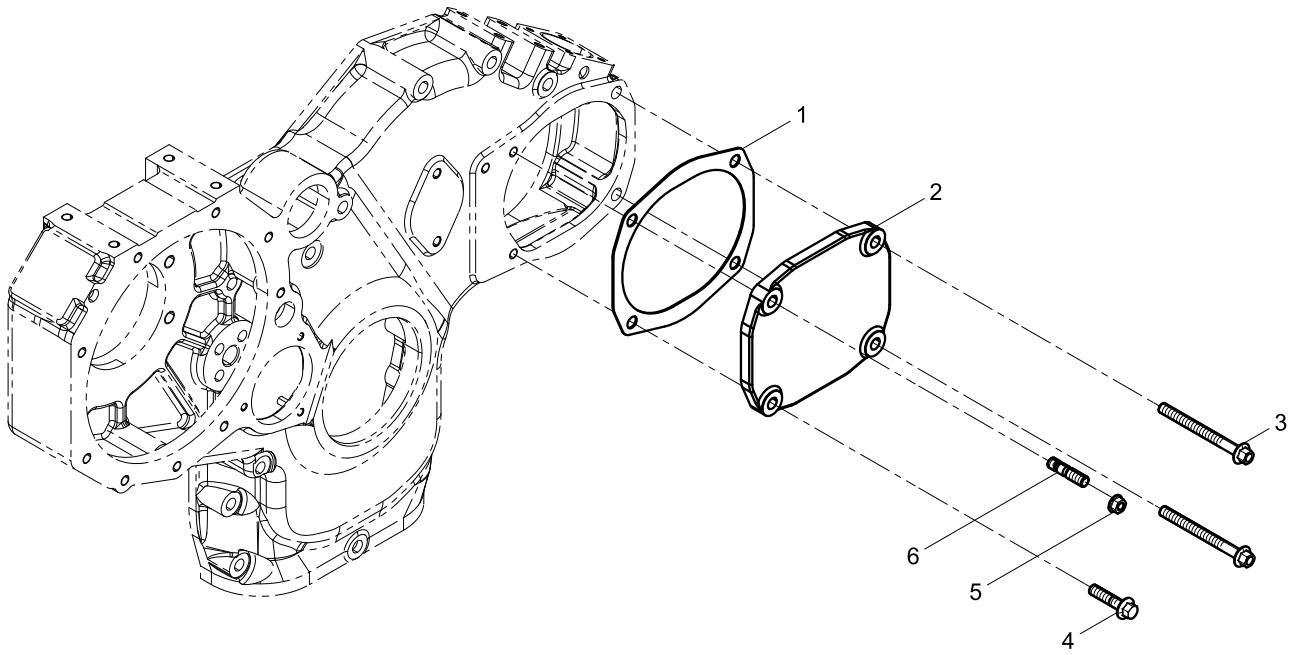
Air Filter



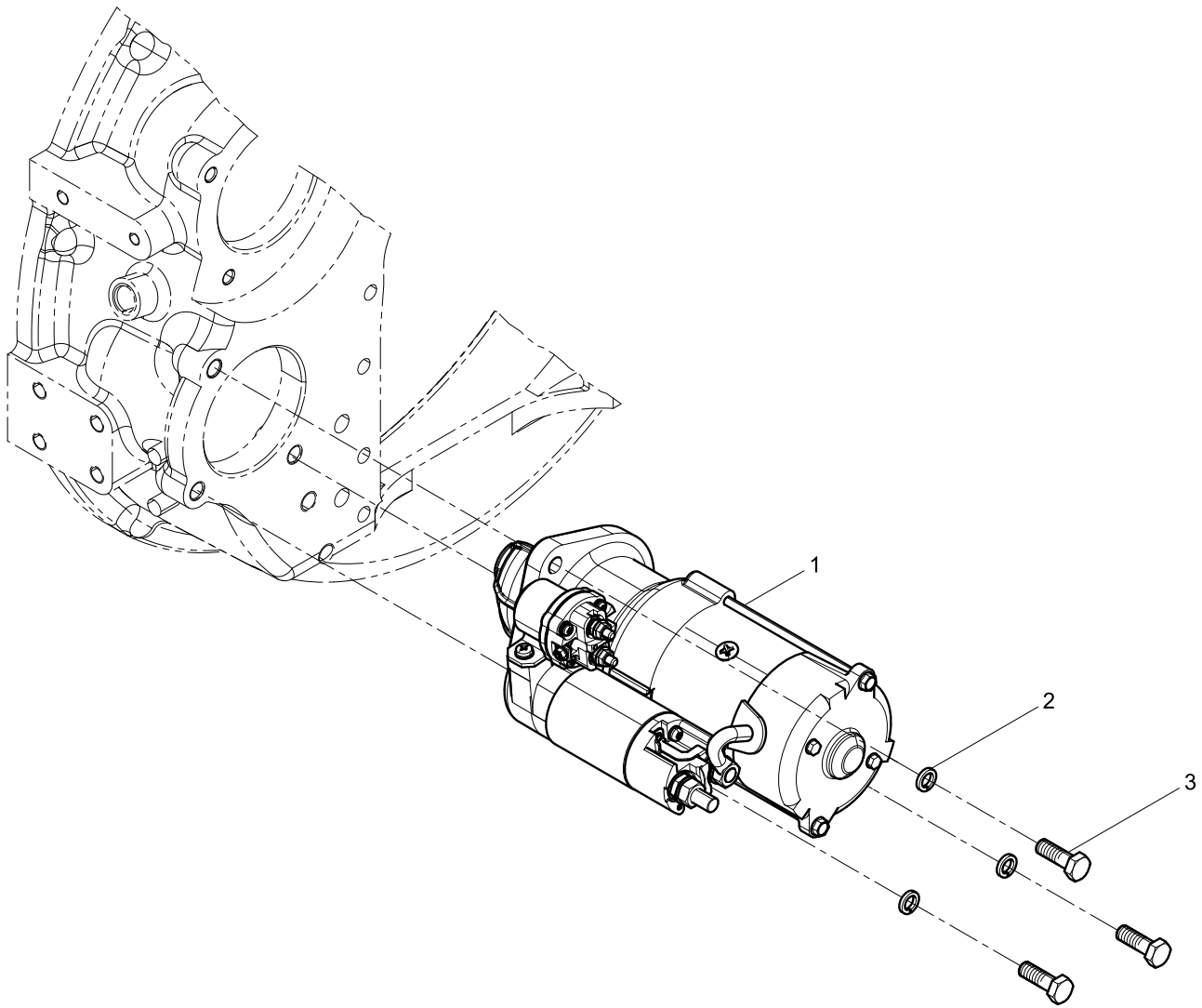
Exhaust manifold Assembly



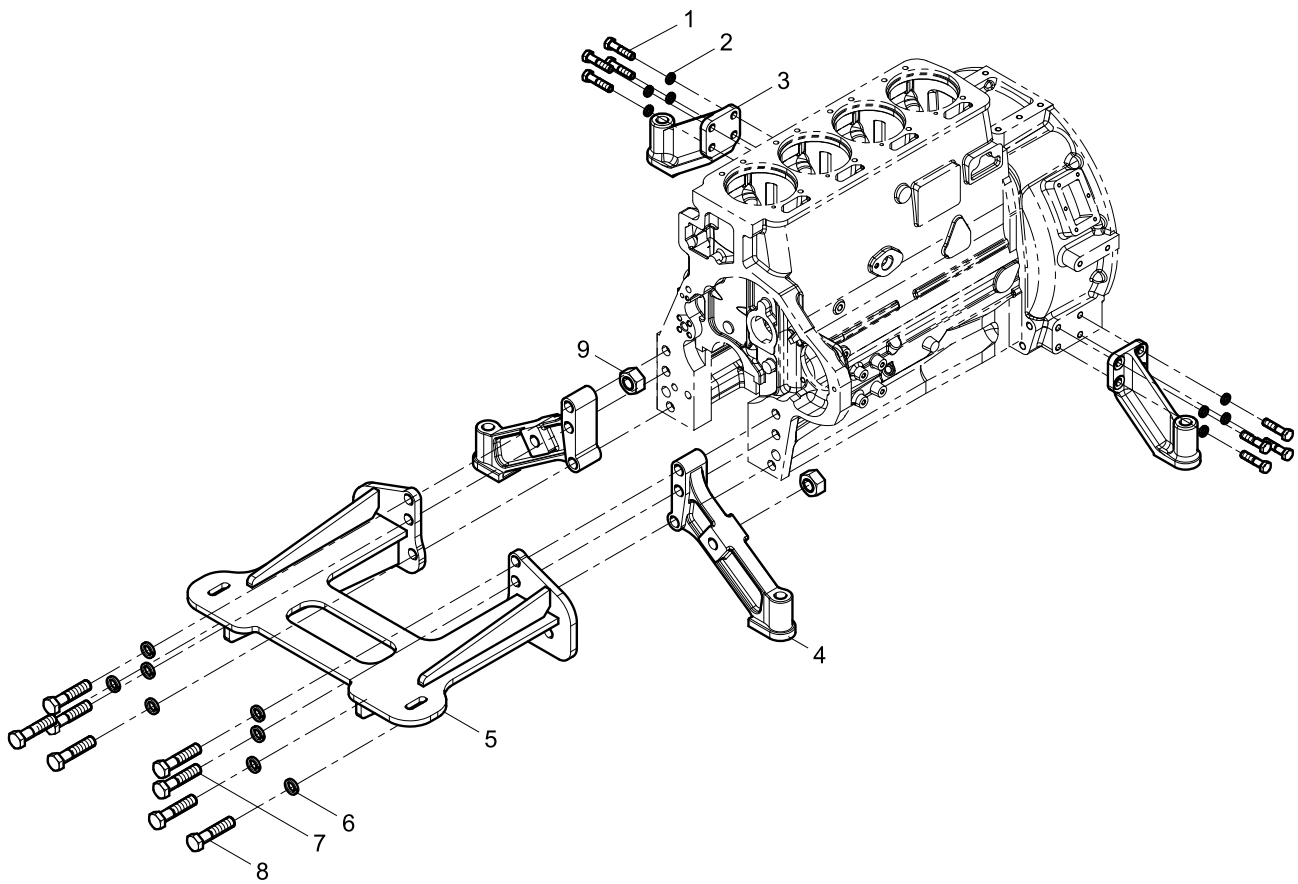
Hydraulic pump cover assembly



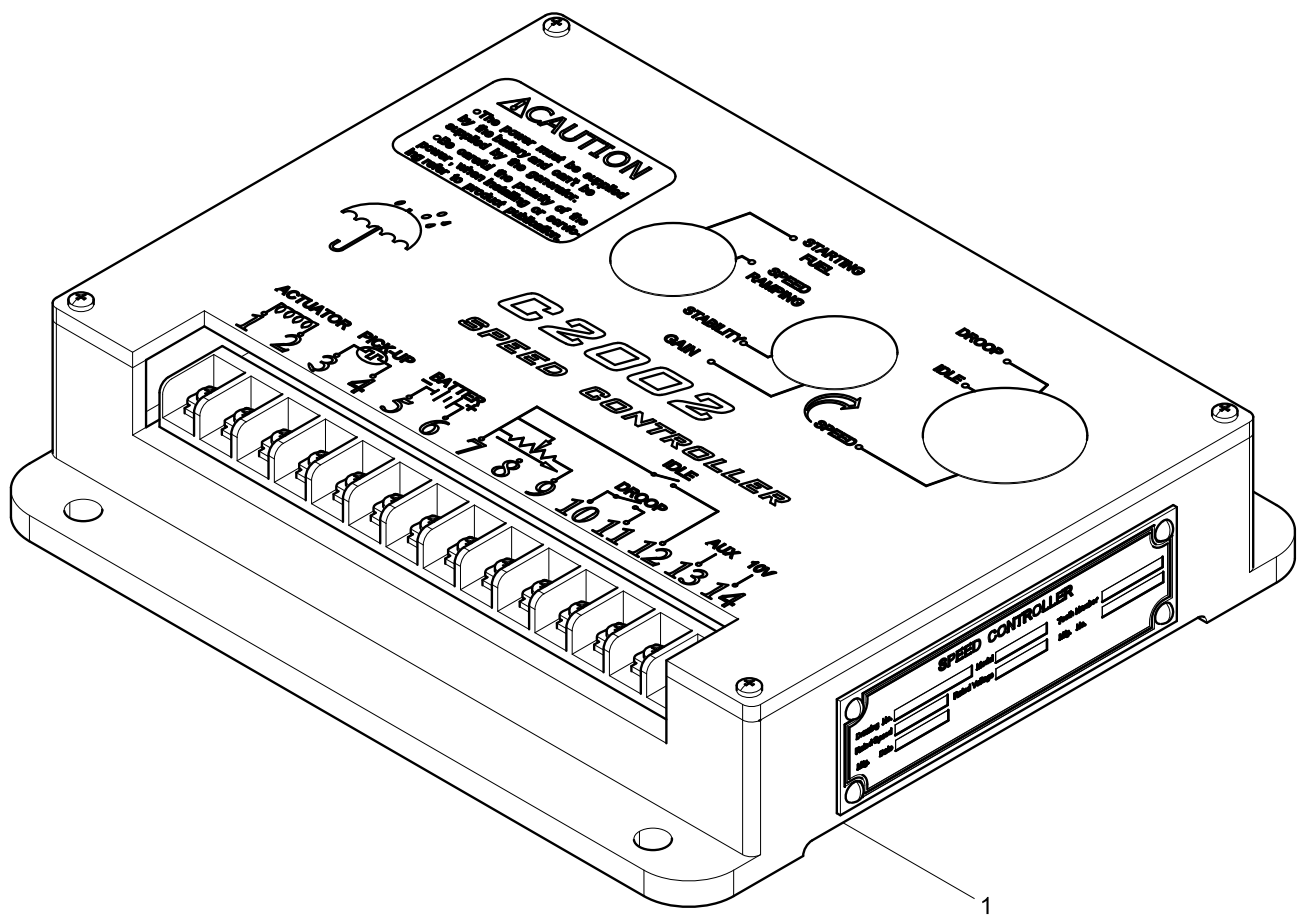
Starter Motor Group



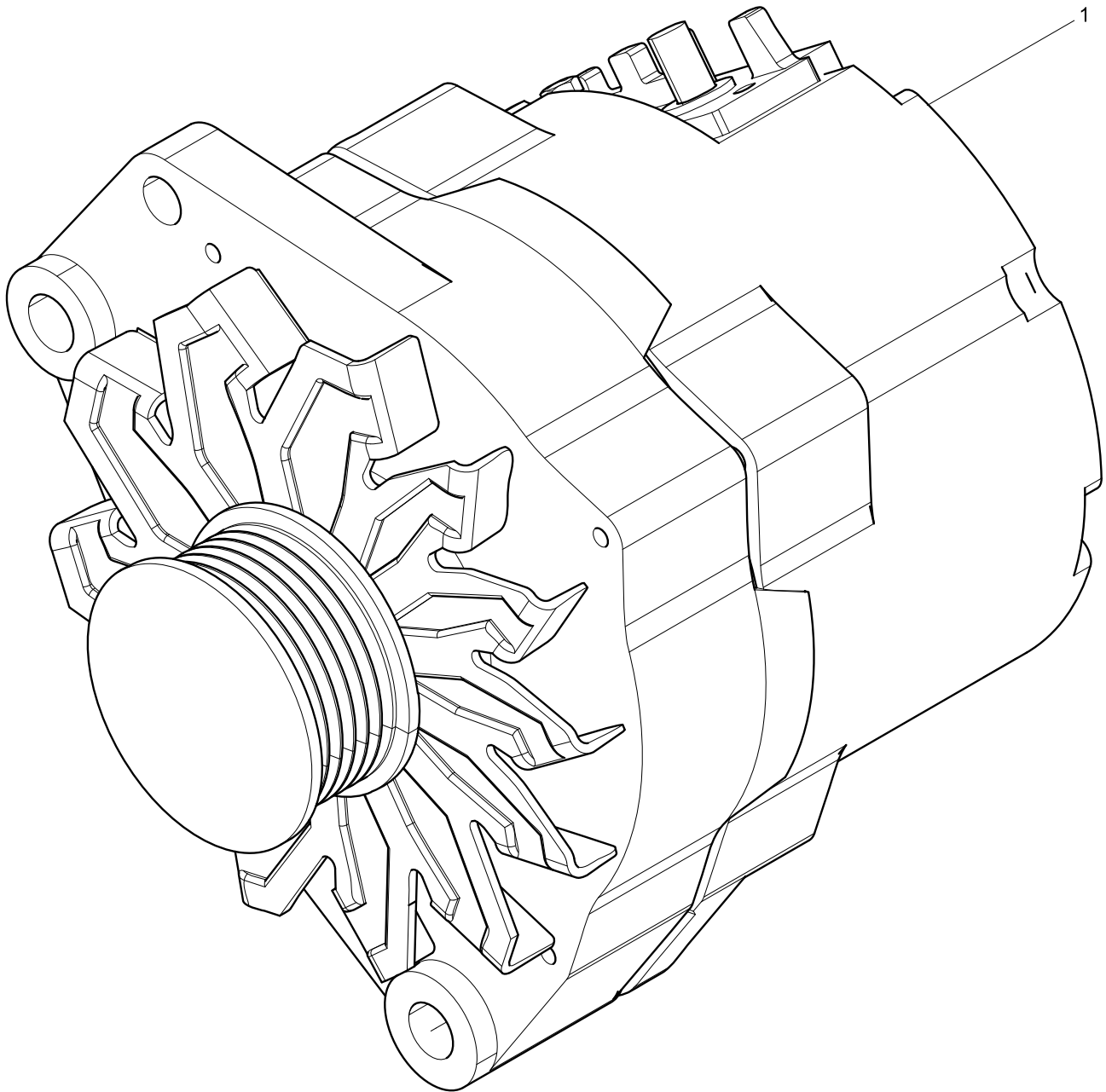
Engine Bracket Group



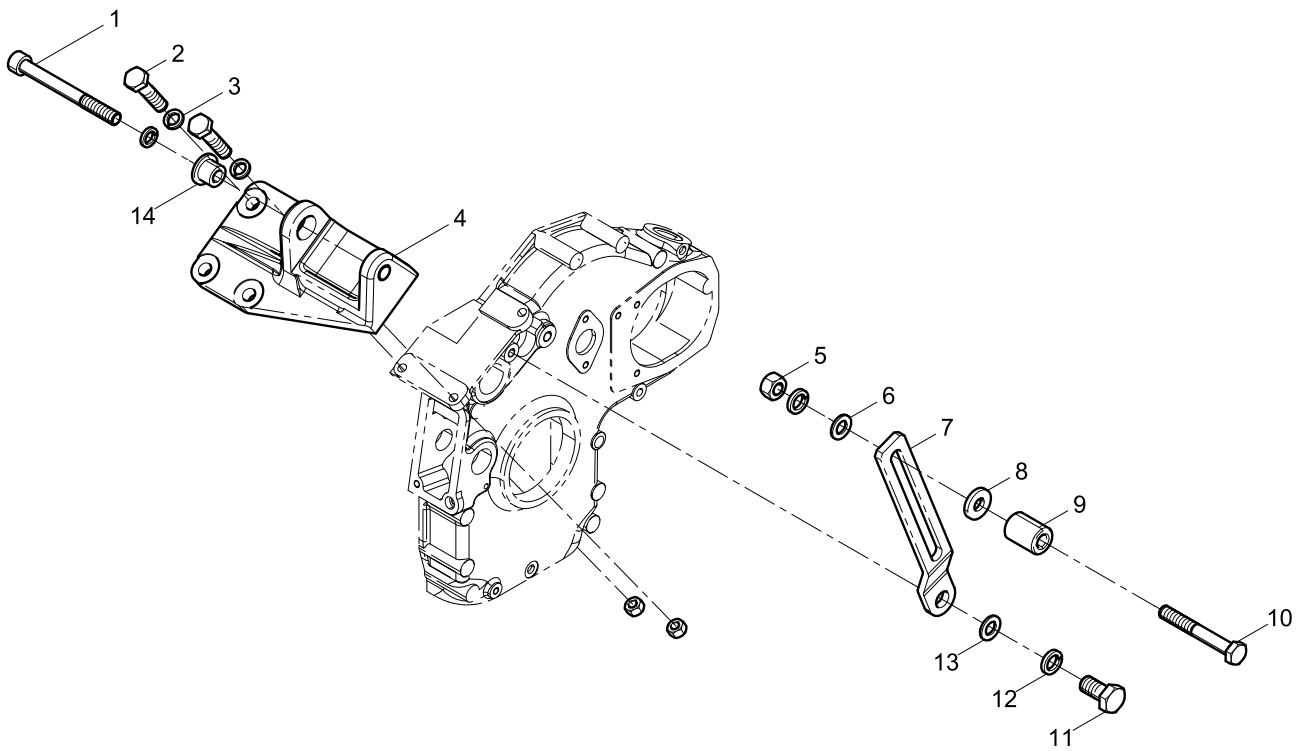
Packing Box Chassis Parts Group



Alternator Group



Alternator Bracket Assembly



This manual is for reference only,
product parameters are subject to alteration
without notice,
whichever is the physical product.